

# 3 Port Mechanical Valve

## Series VM400

Either N.C. or N.O. is available.

**Piping possible to any port.**

Proper countermeasures can be taken for applications in which the noise of the exhaust could cause problems to the surroundings.

### Specifications

Fluid	Air/Inert gas
Operating pressure	-100 kPa to 1.0 MPa
Ambient and fluid temperature	-5 to 60°C (No freezing)
Effective area	7 mm <sup>2</sup>
Lubrication	Not required (Use turbine oil Class 1 ISO VG32, if lubricated)
Port size	1/8
Weight (Basic)	110 g



### Model

	Actuator	Model	Actuator part no.	Application
Mechanical operation	Basic	<b>VM430-01-00</b>	—	—
	Roller lever	<b>VM430-01-01</b>	VM-01A	Polyacetal roller
		<b>VM430-01-01S</b>	VM-01AS	Hard steel roller
	One way roller lever	<b>VM430-01-02</b>	VM-02A	Polyacetal roller
		<b>VM430-01-02S</b>	VM-02AS	Hard steel roller
	Straight plunger	<b>VM430-01-05</b>	VM-05A	—
	Roller plunger	<b>VM430-01-06</b>	VM-06A	Polyacetal roller
		<b>VM430-01-06S</b>	VM-06AS	Hard steel roller
Cross roller plunger	<b>VM430-01-07</b>	VM-07A	Polyacetal roller	
	<b>VM430-01-07S</b>	VM-07AS	Hard steel roller	
Manual operation	Toggle lever	<b>VM430-01-08</b>	VM-08A	—
	Push button (Mushroom)	<b>VM430-01-30R</b>	VM-30AR	Red
		<b>VM430-01-30B</b>	VM-30AB	Black
		<b>VM430-01-30G</b>	VM-30AG	Green
		<b>VM430-01-30Y</b>	VM-30AY	Yellow
	Push button (Extended)	<b>VM430-01-32R</b>	VM-32AR	Red
		<b>VM430-01-32B</b>	VM-32AB	Black
		<b>VM430-01-32G</b>	VM-32AG	Green
	Push button (Flush)	<b>VM430-01-32Y</b>	VM-32AY	Yellow
		<b>VM430-01-33</b>	VM-33A	With a set of red, black, green, yellow
	Twist selector (2 position)	<b>VM430-01-34R</b>	VM-34AR	Red
		<b>VM430-01-34B</b>	VM-34AB	Black
		<b>VM430-01-34G</b>	VM-34AG	Green
<b>VM430-01-34Y</b>		VM-34AY	Yellow	
Key selector (2 position)	<b>VM430-01-36</b>	VM-36A	—	



Note 1) Actuator replacement is available for all types.

Note 2) For push button (mushroom), push button (extended), push button (flush) and a single unit of fastening ring, refer to pages 5-6-6 to 5-6-7. The other parts are not replaceable.

Note 3) The handle of the selector (2 position) cannot be removed or replaced alone.

## How to Order

**VM4 3 0 - 01 - 01 S**

**Number of ports**

3	3 port
---	--------

**Port size**

01	Rc 1/8
N01	NPT 1/8
F01	G 1/8

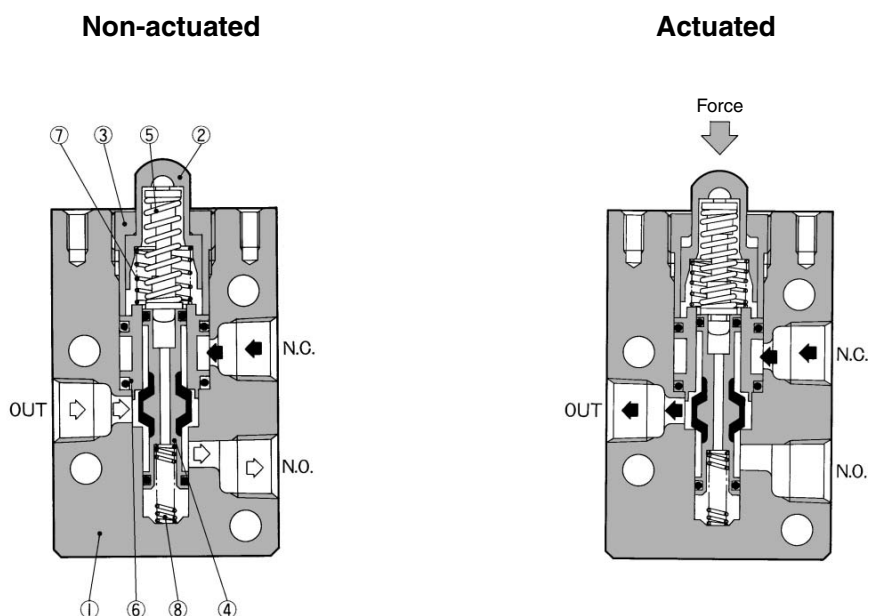
**Actuator type**

00	Basic
01	Roller lever
02	One way roller lever
05	Straight plunger
06	Roller plunger
07	Cross roller plunger
08	Toggle lever
30	Push button (Mushroom)
32	Push button (Extended)
33	Push button (Flush)
34	Twist selector (2 position)
36	Key selector (2 position)

**Suffix for actuator**

S	Hard steel roller	Color of push button selector
R	Red	
B	Black	
G	Green	
Y	Yellow	

## Construction



## Component Parts

No.	Description	Material	Note
①	Body	ADC	Metallic plated
②	Plunger	POM	
③	Upper lid	Brass	Black zinc chromated
④	Spool valve	Aluminum alloy	Rubber lined

No.	Description	Material	Note
⑤	Over travel spring	Stainless steel	
⑥	Retainer	Brass	
⑦	Spring	Stainless steel	
⑧	Spring	Stainless steel	

S□A

V□A

S□A

V□A

**VM**

VR

VH

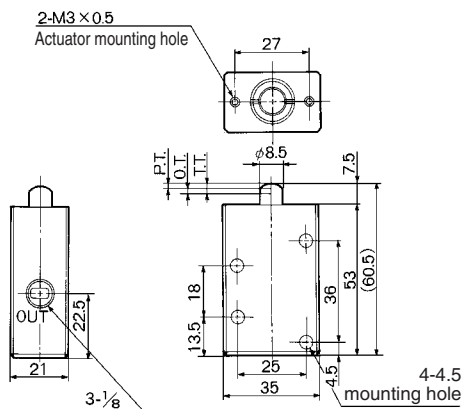
VHS

# Series VM400

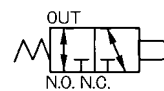
## Series VM400

### Basic

VM430-01-00



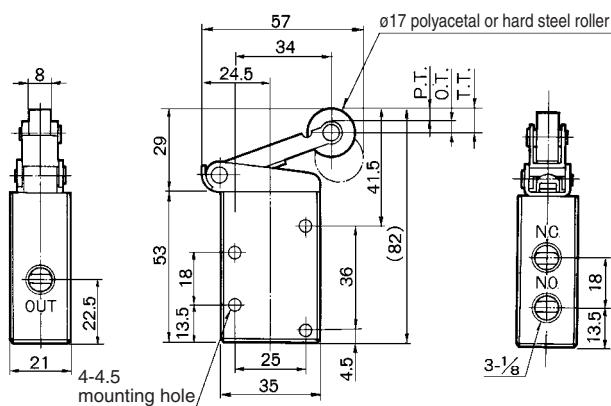
### JIS Symbol



F.O.F.	26 N
P.T.	1.5 mm
O.T.	2.0 mm
T.T.	3.5 mm

### Roller lever

VM430-01-01  
VM430-01-01S



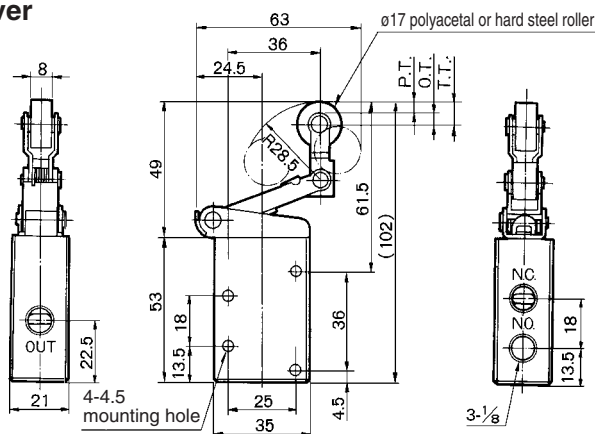
### JIS Symbol



F.O.F.	12 N
P.T.	4.0 mm
O.T.	4.5 mm
T.T.	8.5 mm

### One way roller lever

VM430-01-02  
VM430-01-02S



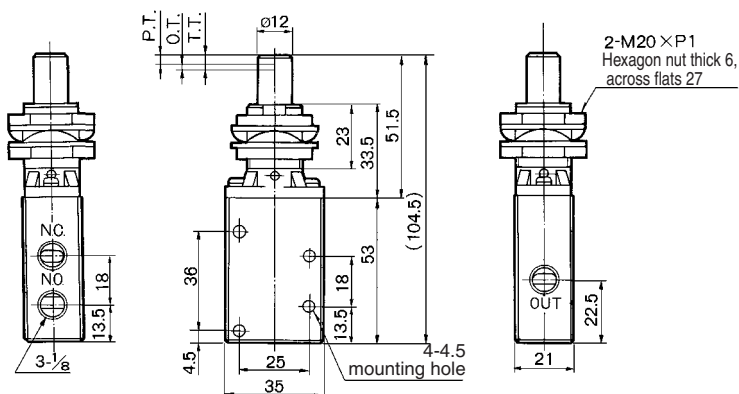
### JIS Symbol



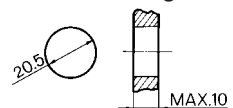
F.O.F.	11 N
P.T.	4.0 mm
O.T.	5.0 mm
T.T.	9.0 mm

### Straight plunger

VM430-01-05



### Panel mounting hole



### JIS Symbol



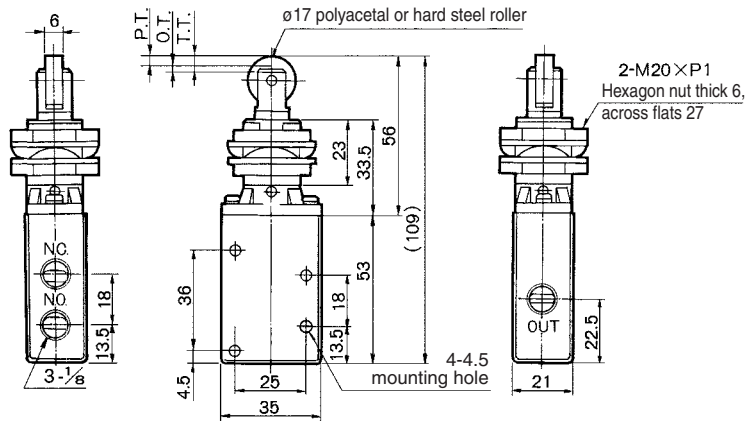
F.O.F.	30 N
P.T.	3.5 mm
O.T.	2.0 mm
T.T.	5.5 mm

# 3 Port Mechanical Valve Series VM400

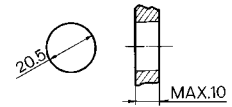
## Series VM400

### Roller plunger

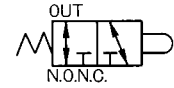
VM430-01-06  
VM430-01-06S



#### Panel mounting hole



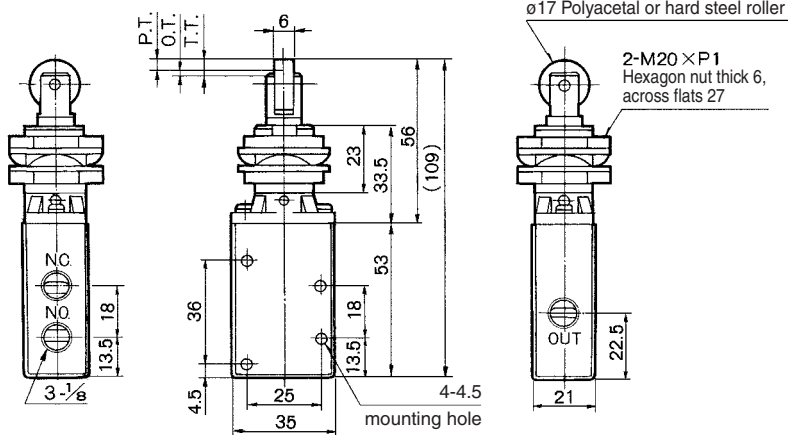
#### JIS Symbol



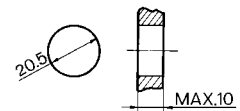
F.O.F.	30 N
P.T.	3.5 mm
O.T.	2.0 mm
T.T.	5.5 mm

### Cross roller plunger

VM430-01-07  
VM430-01-07S



#### Panel mounting hole



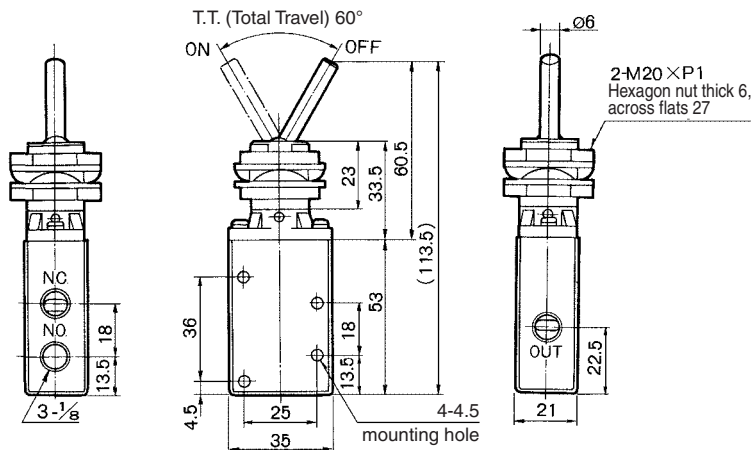
#### JIS Symbol



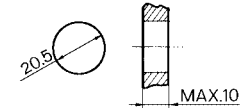
F.O.F.	30 N
P.T.	3.5 mm
O.T.	2.0 mm
T.T.	5.5 mm

### Toggle lever

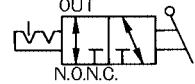
VM430-01-08



#### Panel mounting hole



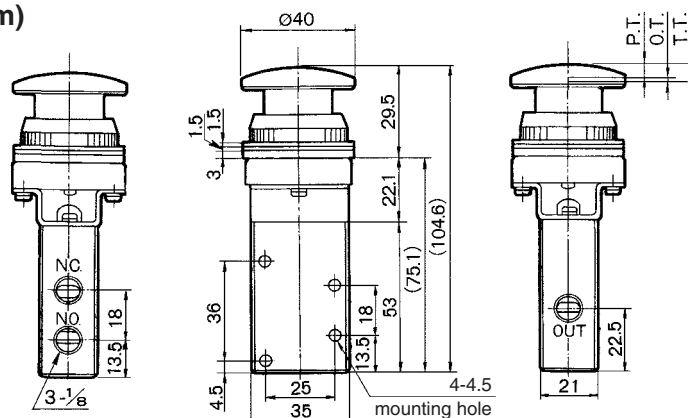
#### JIS Symbol



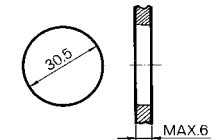
F.O.F.	7 N
T.T.	60°

### Push button (Mushroom)

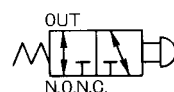
VM430-01-30R/B/G/Y



#### Panel mounting hole



#### JIS Symbol



F.O.F.	26 N
P.T.	4.6 mm
O.T.	1.6 mm
T.T.	6.5 mm

S□A

V□A

S□A

V□A

VM

VR

VH

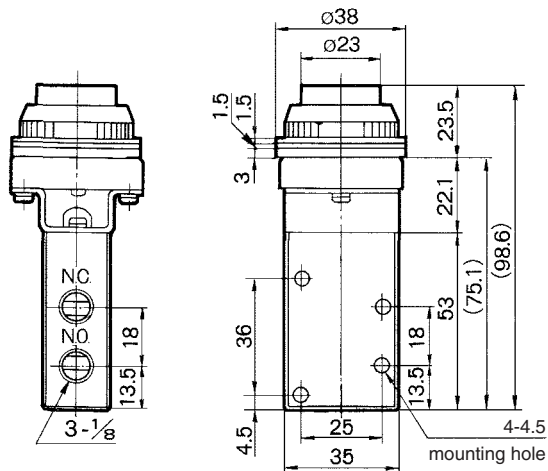
VHS

# Series VM400

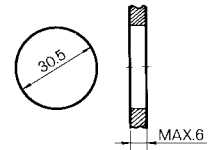
## Series VM400

### Push button (Extended)

VM430-01-32R/B/G/Y



### Panel mounting hole



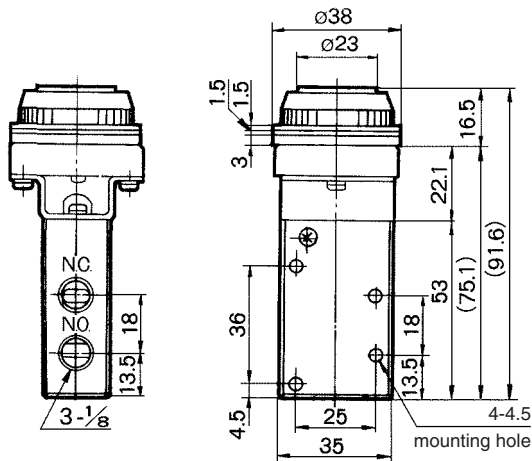
### JIS Symbol



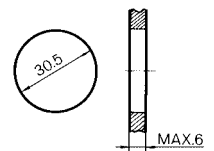
F.O.F.	26 N
P.T.	5.4 mm
O.T.	1.6 mm
T.T.	6.5 mm

### Push button (Flush)

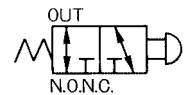
VM430-01-33



### Panel mounting hole



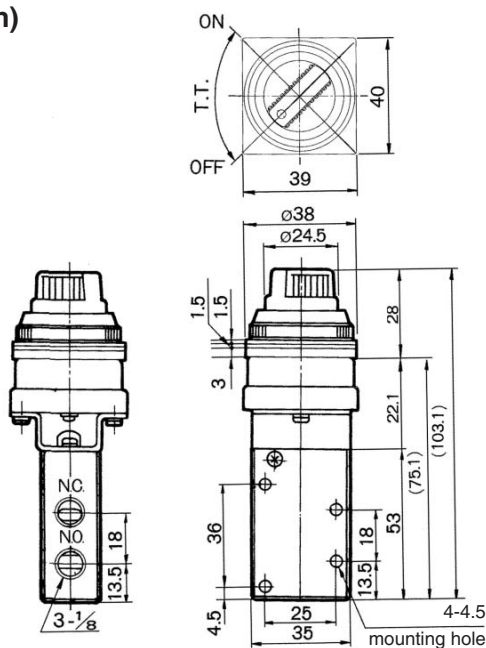
### JIS Symbol



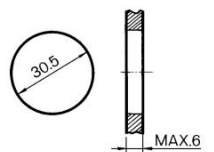
F.O.F.	26 N
P.T.	4.9 mm
O.T.	1.6 mm
T.T.	6.5 mm

### Twist selector (2 position)

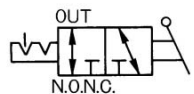
VM430-01-34R/B/G/Y



### Panel mounting hole



### JIS Symbol



F.O.F.	20 N
T.T.	90°

