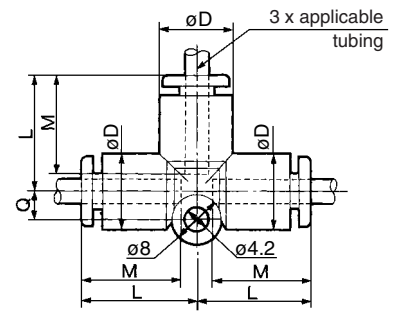


Union Tee: KQ2T



Applicable tubing O.D. (mm)	Model	⁽¹⁾ ϕD		L	Q	M	Effective area ⁽²⁾ (mm ²)		Mass (g)
		ϕD	L				Nylon	Urethane	
3.2	KQ2T23-00	9.6	17.5	4.3	15.5	3.4	2.9	5	
4	KQ2T04-00	10.4	18	4.5	16	6.4	4.4	7	
6	KQ2T06-00	12.8	21	5.3	17	13.4	10.6	10	
8	KQ2T08-00	15.2	24	6	18.5	25.6	17.7	15	
10	KQ2T10-00	18.5	26.5	6.8	21	40	28.4	25	
12	KQ2T12-00	20.9	28.5	7.5	22	57.4	45.4	29	
16	KQ2T16-00	26.5	34	10	25	100	(84)	40	

Note 1) ϕD : Max. diameter
 Note 2) (): Valves for soft nylon.

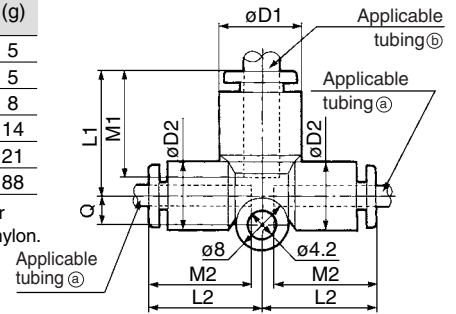


Different Diameter Tee: KQ2T



Applicable tubing O.D. (mm)		Model	⁽¹⁾ $\phi D1$ $\phi D2$		L1	L2	Q	M1	M2	Effective area ⁽²⁾ (mm ²)		Mass (g)
(a)	(b)		$\phi D1$	$\phi D2$						Nylon	Urethane	
3.2	4	KQ2T23-04	10.4	9.6	18	17.5	4.3	16	15.5	3.8	3.5	5
4	6	KQ2T04-06	12.8	10.4	19.5	18	4.5	17	16	7.1	6.5	5
6	8	KQ2T06-08	15.2	12.8	22.5	21	5.3	18.5	17	16.4	16.4	8
8	10	KQ2T08-10	18.5	15.2	26.5	24	6	21	18.5	36	27.2	14
10	12	KQ2T10-12	20.9	18.5	28.5	26.5	6.8	22	21	56	44.5	21
12	16	KQ2T12-16	26.5	26.5	34	39	10	25	22	108.5	(92.2)	88

Note 1) $\phi D1$: Max. diameter
 Note 2) (): Values for soft nylon.

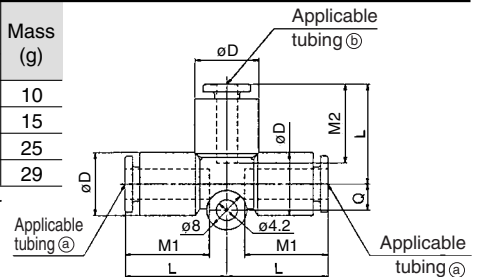


Different Diameter Tee: KQ2T



Applicable tubing O.D. (mm)		Model	Note) ϕD	L	Q	M1	M2	Effective area (mm ²)		Mass (g)
(a)	(b)							Nylon	Urethane	
6	4	KQ2T06-04	12.8	21	5.3	17	16	6.4	4.4	10
8	6	KQ2T08-06	15.2	24	6	18.5	17	13.4	10.6	15
10	8	KQ2T10-08	18.5	26.5	6.8	21	18.5	25.6	17.7	25
12	10	KQ2T12-10	20.9	28.5	7.5	22	21	40	28.4	29

Note) ϕD : Max. diameter

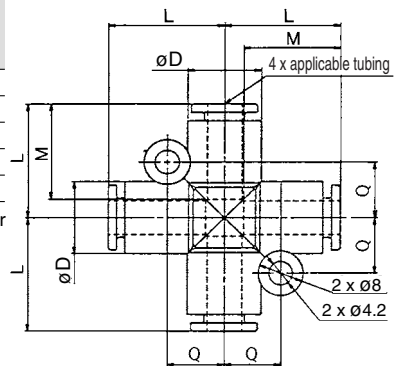


Cross: KQ2TW



Applicable tubing O.D. (mm)		Model	Note) ϕD	L	Q	M	Effective area (mm ²)		Mass (g)
(a)	(b)						Nylon	Urethane	
4		KQ2TW04-00	10.4	18	8.7	16	6.4	4.4	9
6		KQ2TW06-00	12.8	21	9.9	17	13.4	10.6	13
8		KQ2TW08-00	15.2	24	11.1	18.5	25.6	17.7	20
10		KQ2TW10-00	18.5	26.5	12.8	21	40	28.4	33
12		KQ2TW12-00	20.9	28.5	13.9	22	57.4	45.4	39

Note) ϕD : Max. diameter

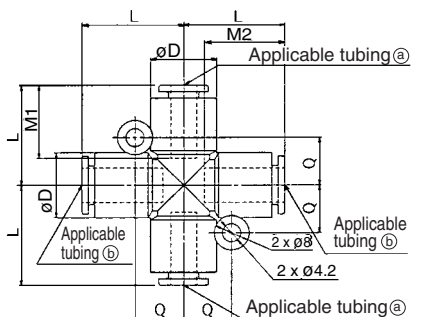


Different Diameter Cross: KQ2TX



Applicable tubing O.D. (mm)		Model	Note) ϕD	L	Q	M1	M2	Effective area (mm ²)		Mass (g)
(a)	(b)							Nylon	Urethane	
6	8	KQ2TX06-08	15.2	23	11.1	18.5	17	13.4	10.6	13
8	10	KQ2TX08-10	18.5	26.5	12.8	21	18.5	25.6	17.7	27
10	12	KQ2TX10-12	20.9	28.5	13.9	22	21	40	28.4	36

Note) ϕD : Max. diameter



- K
- M
- H
- KK
- D
- MS
- LQ
- MQR
- T