

# 2/3 Port Mechanical Valve Series VM200

Large flow capacity.  
A variety of actuator types.



## Specifications

Fluid	Air/Inert gas
Operating pressure	0 to 1.0 MPa
Ambient and fluid temperature	-5 to 60°C (No freezing)
Effective area	19 mm <sup>2</sup>
Lubrication	Not required (Use turbine oil Class 1 ISO VG32, if lubricated.)
Port size	1/4
Mass (Basic)	111g

## Model

Actuator	No. of ports	No. of ports		Actuator part no.	Application
		2 port	3 port		
Mechanical operation	Basic	VM220-02-00	VM230-02-00	—	—
	Roller lever	VM220-02-01	VM230-02-01	VM-01A	Polyacetal roller
		VM220-02-01S	VM230-02-01S	VM-01AS	Hard steel roller
	One way roller lever	VM220-02-02	VM230-02-02	VM-02A	Polyacetal roller
		VM220-02-02S	VM230-02-02S	VM-02AS	Hard steel roller
	Straight plunger	VM220-02-05	VM230-02-05	VM-05A	—
	Roller plunger	VM220-02-06	VM230-02-06	VM-06A	Polyacetal roller
		VM220-02-06S	VM230-02-06S	VM-06AS	Hard steel roller
Cross roller plunger	VM220-02-07	VM230-02-07	VM-07A	Polyacetal roller	
	VM220-02-07S	VM230-02-07S	VM-07AS	Hard steel roller	
Manual operation	Toggle lever	VM220-02-08	VM230-02-08	VM-08A	—
	Push button (Mushroom)	VM220-02-30R	VM230-02-30R	VM-30AR	Red
		VM220-02-30B	VM230-02-30B	VM-30AB	Black
		VM220-02-30G	VM230-02-30G	VM-30AG	Green
		VM220-02-30Y	VM230-02-30Y	VM-30AY	Yellow
	Push button (Extended)	VM220-02-32R	VM230-02-32R	VM-32AR	Red
		VM220-02-32B	VM230-02-32B	VM-32AB	Black
		VM220-02-32G	VM230-02-32G	VM-32AG	Green
	Push button (Flush)	VM220-02-32Y	VM230-02-32Y	VM-32AY	Yellow
		VM220-02-33	VM230-02-33	VM-33A	With a set of red, black, green, yellow
	Twist selector (2 position)	VM220-02-34R	VM230-02-34R	VM-34AR	Red
		VM220-02-34B	VM230-02-34B	VM-34AB	Black
		VM220-02-34G	VM230-02-34G	VM-34AG	Green
		VM220-02-34Y	VM230-02-34Y	VM-34AY	Yellow
Key selector (2 position)	VM220-02-36	VM230-02-36	VM-36A	—	
Twist selector (3 position)	VM230-02-35R	VM250-02-35R	—	Red	
	VM230-02-35B	VM250-02-35B	—	Black	
	VM230-02-35G	VM250-02-35G	—	Green	
	VM230-02-35Y	VM250-02-35Y	—	Yellow	
	(3 port)	(5 port)	—	—	
Foot pedal	VM220-02-40	VM230-02-40	—	—	



Note 1) Actuator replacement is available for all types except twist selector (3 position) and foot pedal.

Note 2) For push button (mushroom), push button (extended), push button (flush) and a single unit of fastening ring, refer to pages 1887 to 1888. The other parts are not replaceable.

Note 3) The handle of the selector (2 position and 3 position) cannot be removed or replaced alone.

## How to Order

VM2 **3** 0 - **02** - **01** **S** -  

• **Made to Order**  
(Refer to pages 1882 to 1885 for details.)

<b>X207</b>	Alternate type, Mushroom push button
<b>X219</b>	Push-lock turn-reset type, Mushroom push button

• **Suffix for actuator**

<b>S</b>	Hard steel roller	Color of push button selector
<b>R</b>	Red	
<b>B</b>	Black	
<b>G</b>	Green	
<b>Y</b>	Yellow	

• **Actuator type**

<b>00</b>	Basic
<b>01</b>	Roller lever
<b>02</b>	One way roller lever
<b>05</b>	Straight plunger
<b>06</b>	Roller plunger
<b>07</b>	Cross roller plunger
<b>08</b>	Toggle lever
<b>30</b>	Push button (Mushroom)
<b>32</b>	Push button (Extended)
<b>33</b>	Push button (Flush)
<b>34</b>	Twist selector (2 position)
<b>36</b>	Key selector (2 position)
<b>35</b>	Twist selector (3 position)
<b>40</b>	Foot pedal

• **Port size**

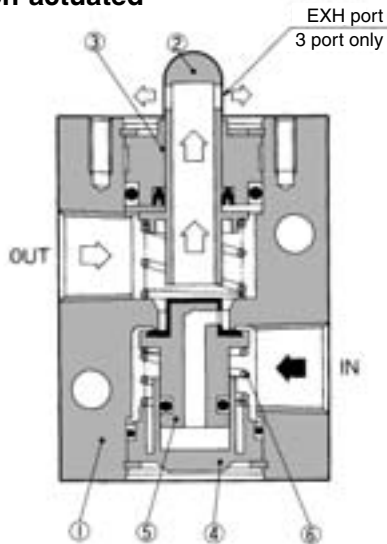
<b>02</b>	Rc 1/4
<b>N02</b>	NPT 1/4
<b>F02</b>	G 1/4

• **Number of ports**

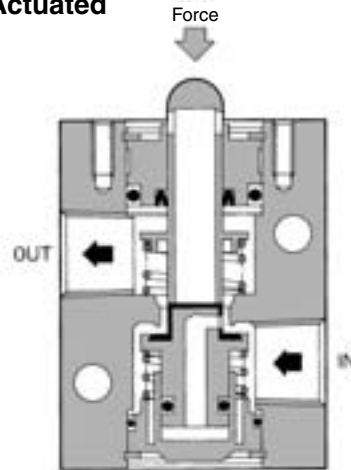
<b>2</b>	2 port
<b>3</b>	3 port

## Construction

**Non-actuated**



**Actuated**



## Component Parts

No.	Description	Material	Note
1	Valve	ADC	Platinum silver
2	Plunger	POM	
3	Plunger retainer	PBT	

No.	Description	Material	Note
4	Cover	POM	
5	Valve	Brass, NBR	
6	Spring	Steel	

VM□

VMG

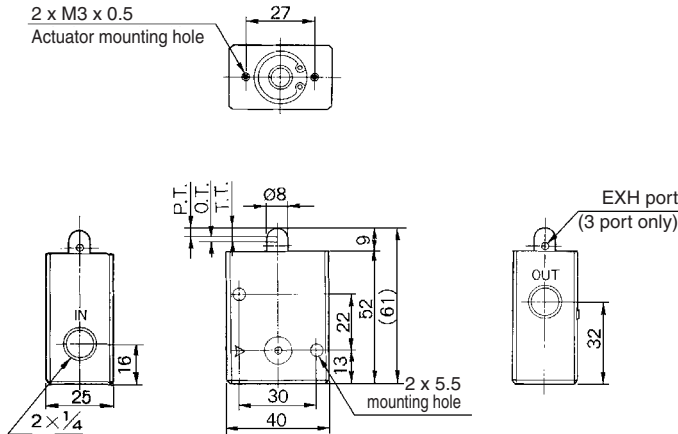
VR□

VH□

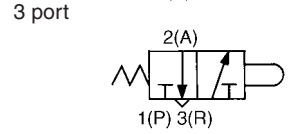
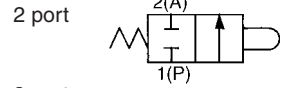
# Series VM200

## Series VM200

**Basic**  
VM220-02-00  
VM230-02-00



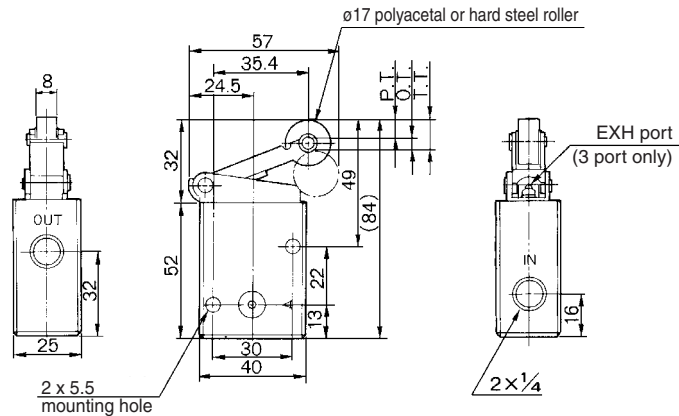
**JIS Symbol**



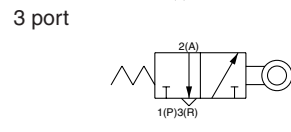
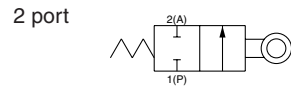
\* 0.5 MPa supply

F.O.F. *	52 N
P.T.	3.0 mm
O.T.	2.0 mm
T.T.	5.0 mm

**Roller lever**  
VM220-02-01  
VM230-02-01  
VM220-02-01S  
VM230-02-01S



**JIS Symbol**

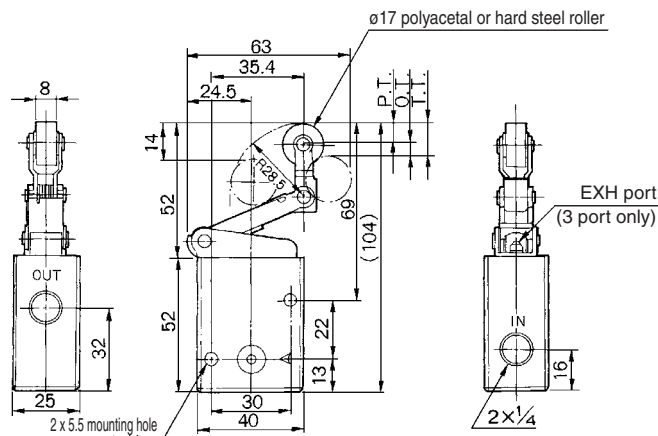


\* 0.5 MPa supply

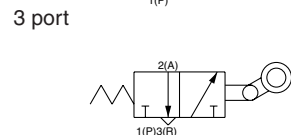
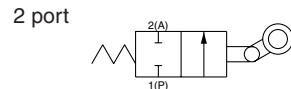
F.O.F. *	24 N
P.T.	6.5 mm
O.T.	4.5 mm
T.T.	11.0 mm

**One way roller lever**

VM220-02-02  
VM230-02-02  
VM220-02-02S  
VM230-02-02S



**JIS Symbol**

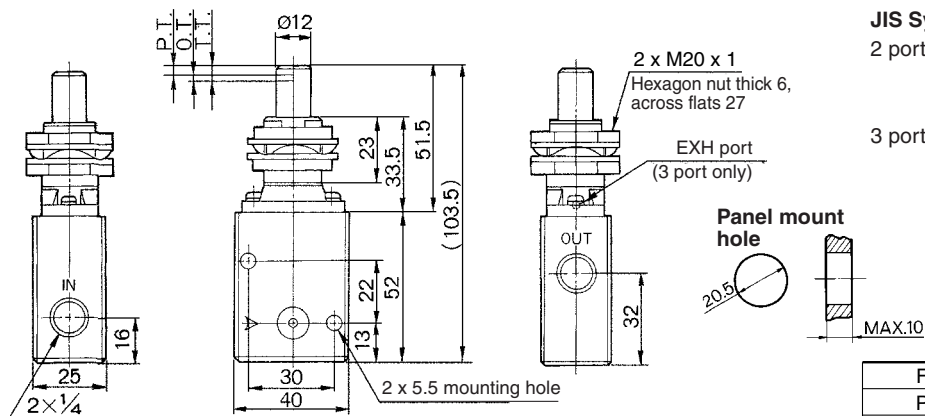


\* 0.5 MPa supply

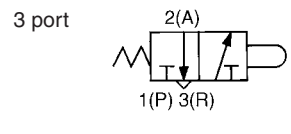
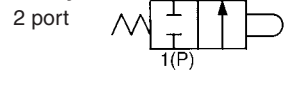
F.O.F. *	22 N
P.T.	7.0 mm
O.T.	5.0 mm
T.T.	12.0 mm

**Straight plunger**

VM220-02-05  
VM230-02-05



**JIS Symbol**

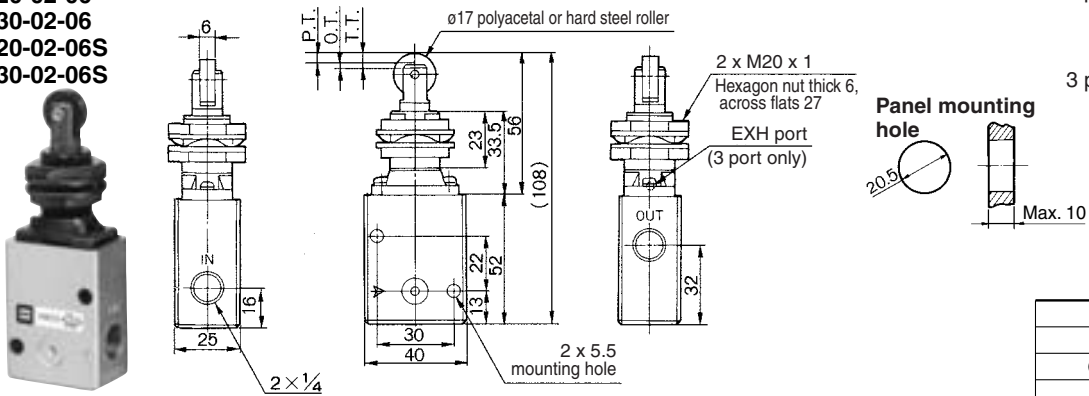


\* 0.5 MPa supply

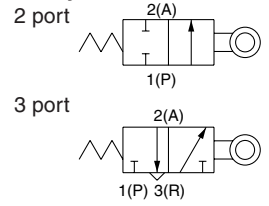
F.O.F. *	56 N
P.T.	3.5 mm
O.T.	2.0 mm
T.T.	5.5 mm

## Series VM200

**Roller plunger**  
 VM220-02-06  
 VM230-02-06  
 VM220-02-06S  
 VM230-02-06S



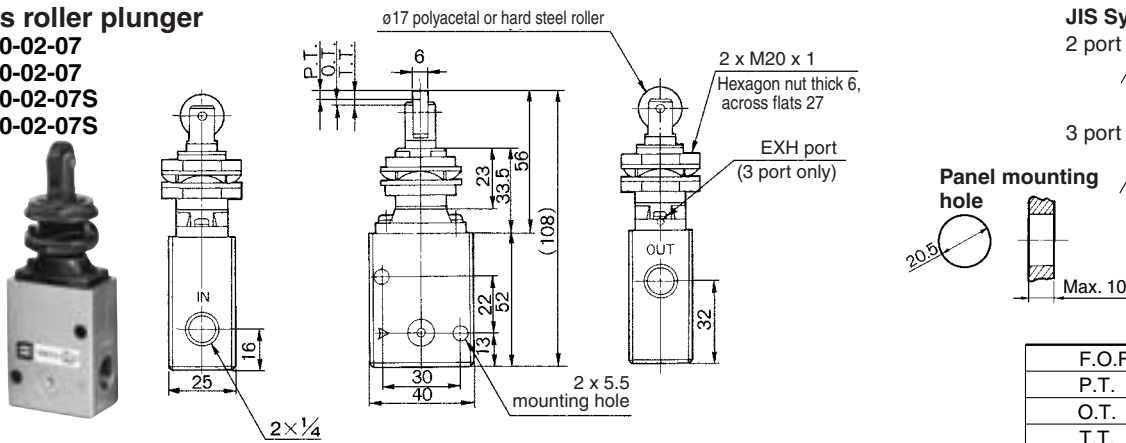
**JIS Symbol**



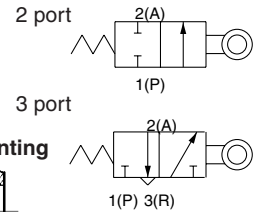
\* 0.5 MPa supply

F.O.F. *	56 N
P.T.	3.5 mm
O.T.	2.0 mm
T.T.	5.5 mm

**Cross roller plunger**  
 VM220-02-07  
 VM230-02-07  
 VM220-02-07S  
 VM230-02-07S



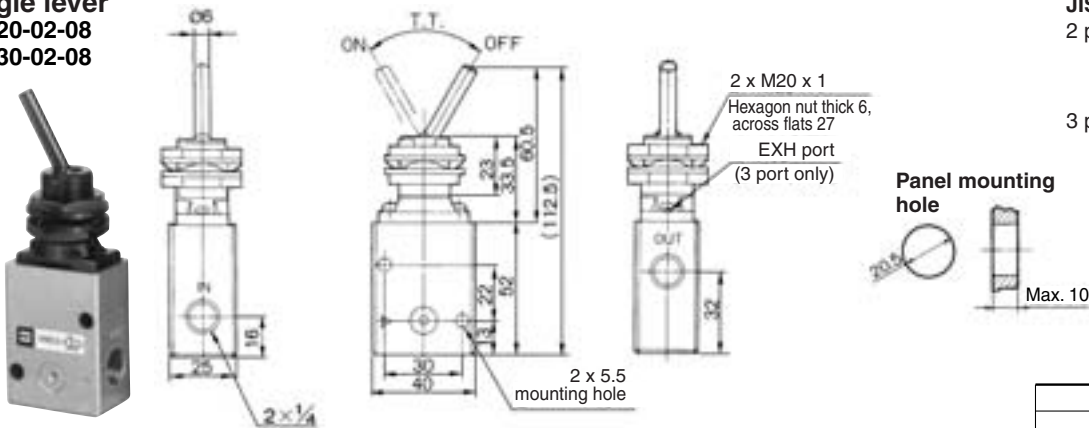
**JIS Symbol**



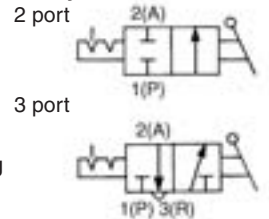
\* 0.5 MPa supply

F.O.F. *	56 N
P.T.	3.5 mm
O.T.	2.0 mm
T.T.	5.5 mm

**Toggle lever**  
 VM220-02-08  
 VM230-02-08



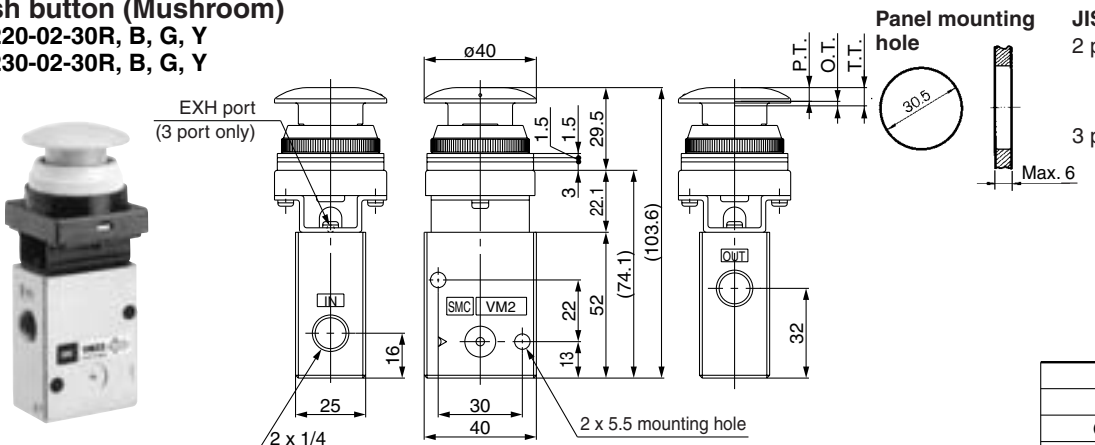
**JIS Symbol**



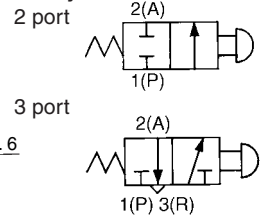
\* 0.5 MPa supply

F.O.F. *	12 N
T.T.	60°

**Push button (Mushroom)**  
 VM220-02-30R, B, G, Y  
 VM230-02-30R, B, G, Y



**JIS Symbol**



\* 0.5 MPa supply

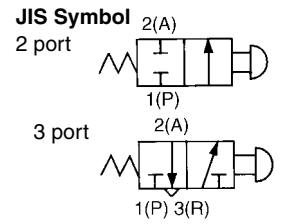
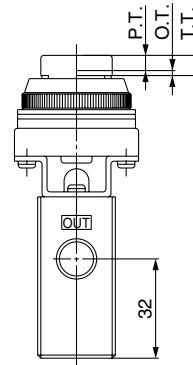
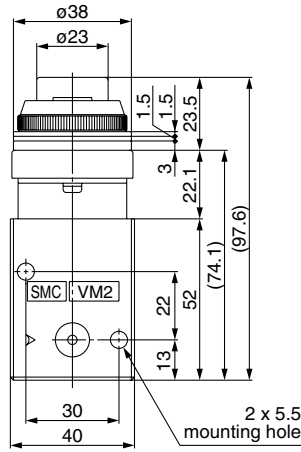
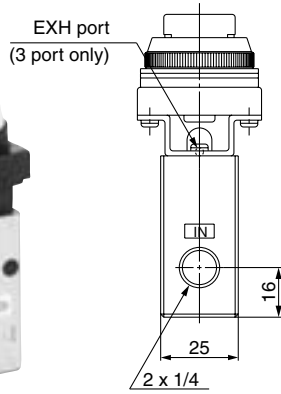
F.O.F. *	52 N
P.T.	4.9 mm
O.T.	1.6 mm
T.T.	6.5 mm

VM□  
 VMG  
 VR□  
 VH□

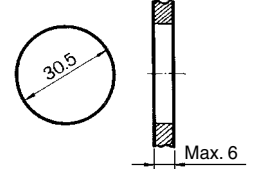
# Series VM200

## Series VM200

### Push button (Extended) VM220-02-32R/B/G/Y VM230-02-32R/B/G/Y



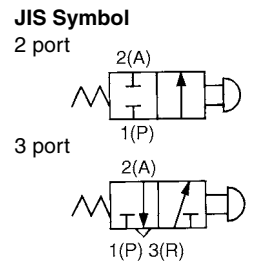
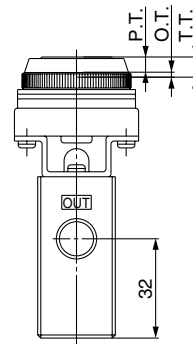
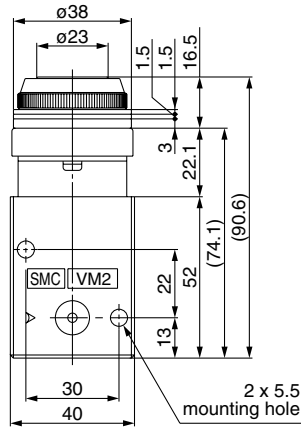
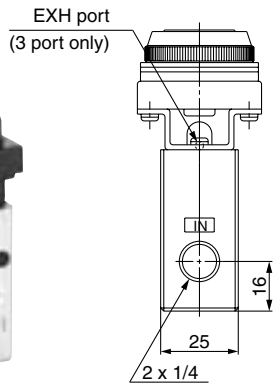
#### Panel mounting hole



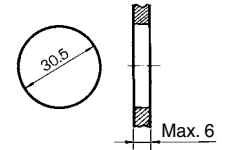
\* 0.5 MPa supply

F.O.F. *	52 N
P.T.	4.9 mm
O.T.	1.6 mm
T.T.	6.5 mm

### Push button (Flush) VM220-02-33 VM230-02-33



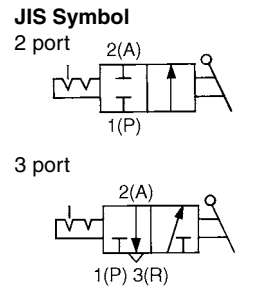
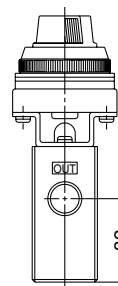
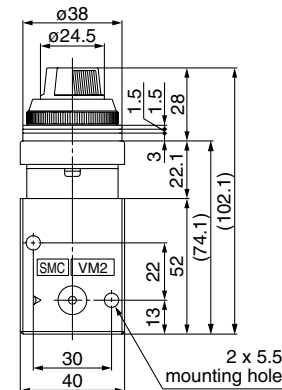
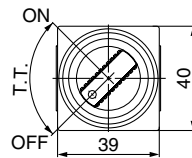
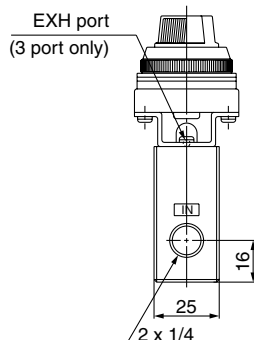
#### Panel mounting hole



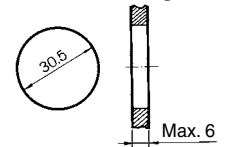
\* 0.5 MPa supply

F.O.F. *	52 N
P.T.	4.9 mm
O.T.	1.6 mm
T.T.	6.5 mm

### Twist selector (2 position) VM220-02-34R/B/G/Y VM230-02-34R/B/G/Y



#### Panel mounting hole



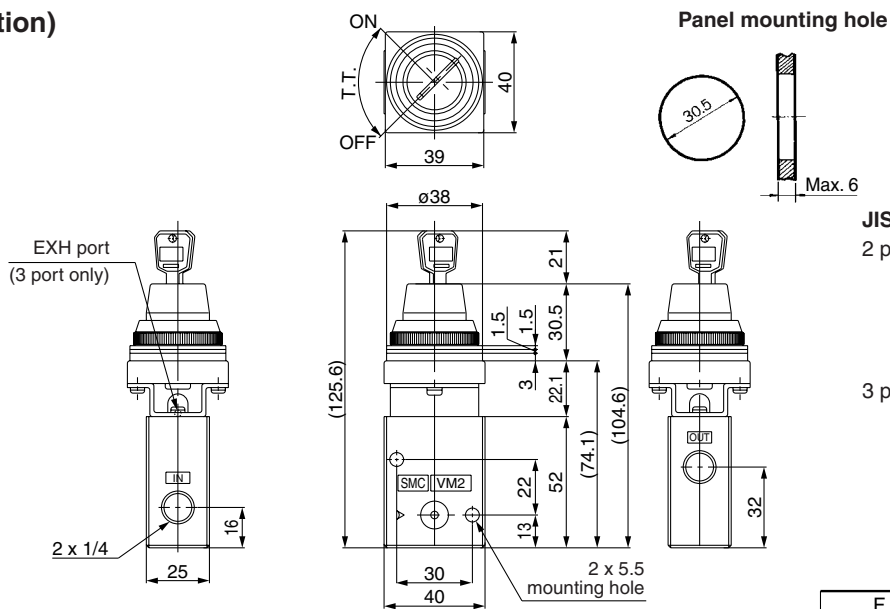
\* 0.5 MPa supply

F.O.F. *	32 N
T.T.	90°

## Series VM200

### Key selector (2 position)

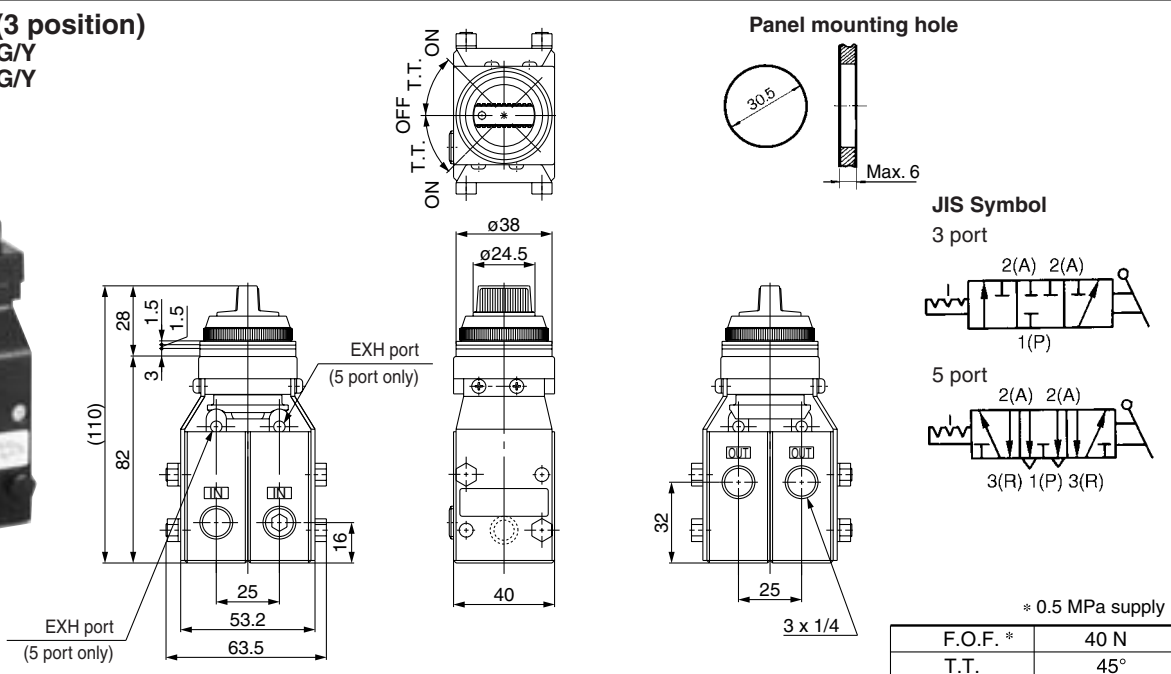
VM220-02-36  
VM230-02-36



Key can be removed at the "on" and "off" positions.

### Twist selector (3 position)

VM230-02-35R/B/G/Y  
VM250-02-35R/B/G/Y



### Foot pedal

VM220-02-40  
VM230-02-40

