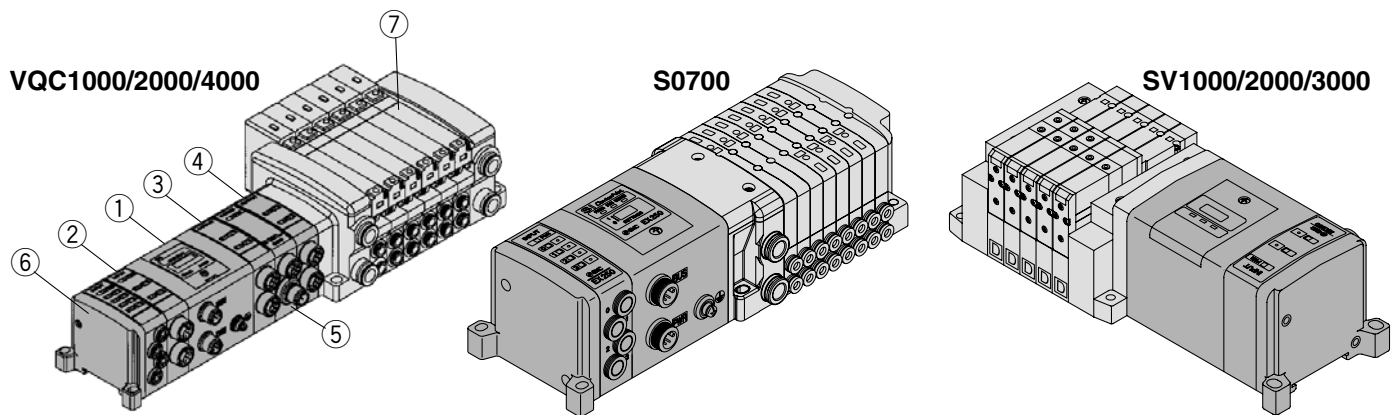


# Integrated Type/ For Input/Output Series **EX250**



- ★ Enclosure IP67
- ★ Maximum 32 inputs/32 outputs
- ★ Connection of sensors with M8/M12 connectors is possible



No.	Type	Function
1	SI unit	Compatible with various field buses
2	Input block	Connection of sensors with M8, M12 connectors
3	Output block <sup>Note 1)</sup>	Output equipment connection with M12 connectors (For low watt load)
4	Output block <sup>Note 1)</sup>	Output equipment connection with M12 connectors (For high watt load)
5	Power block <sup>Note 1)</sup>	Power supply for output block (For high watt load)
6	End plate assembly	Direct mounting, DIN rail mounting
7	Manifold valve	Max. 32 points actuation

Note 1) A manifold part number is not specified for the output block and power block. Please consult SMC for the manifold integrated type.

## How to Order SI Unit

### EX250-S DN1

#### • Communication protocol

DN1	DeviceNet
DN1-X102 <sup>Note 1)</sup>	DeviceNet
PR1	PROFIBUS DP
MJ2	CC-Link
AS3	AS-i (8in/8out 31Slave Mode, 2 power supply systems)
AS5	AS-i (4in/4out 31Slave Mode, 2 power supply systems)
AS7	AS-i (8in/8out 31Slave Mode, 1 power supply system)
AS9	AS-i (4in/4out 31Slave Mode, 1 power supply system)
CA1A	CANopen
CN1 <sup>Note 2)</sup>	ControlNet
EN1	EtherNet/IP

Note 1) Refer to the SI unit specifications on page 1665 for the special order specifications.

Note 2) The enclosure rating is IP40 for the SI unit compatible with ControlNet.

Note 3) Please consult SMC for the applicable networks other than the above.

## SI Unit Specifications

Model			EX250-SDN1	EX250-SDN1-X102 <sup>Note 1)</sup>	EX250-SPR1	EX250-SMJ2	EX250-SCA1A	EX250-SCN1	EX250-SEN1	EX250-SAS3/5	EX250-SAS7/9	
Communication specification	Applicable system	Protocol	DeviceNet		PROFIBUS DP	CC-Link	CANopen	ControlNet	EtherNet/IP	AS-Interface		
		Version <sup>Note 2)</sup>	Release 2.0		DP-V0	Ver. 1.10	CIA DS-301 V4.02 CIA DS-401	V2.0 Errata 3 adapter class	Release 1.0	Version 2.11 Standard Address Mode		
	Communication speed		125 k/250 k/500 kbps		9.6 k/19.2 k/ 45.45 k/93.75 k/ 187.5 k/500 k/ 1.5 M/3 M/6 M/ 12 Mbps	156 k/625 k/ 2.5 M/5 M/ 10 Mbps	10 k/20 k/50 k/ 125 k/250 k/ 500 k/800 k/ 1 Mbps	5 Mbps	10 M/100 Mbps	167 kbps		
	Specified file <sup>Note 3)</sup>		EDS file	EDS file	GSD file	—	EDS file	EDS file	EDS file	—	—	
	Occupied area (Number of inputs/outputs)		32/32	48/32	32/32	64/64 (2 stations, remote device station)	32/32	48/32	48/32	SAS3: 8/8 (2 slave units) SAS5: 4/4	SAS7: 8/8 (2 slave units) SAS9: 4/4	
	Terminal resistor		Not applicable									
Power supply	For unit		11 to 25 VDC (Supplied by DeviceNet circuit)		24 VDC±20%		18 V to 30 VDC (Supplied by CANopen circuit)	24 VDC±20%		26.5 to 31.6 VDC (Supplied by AS-i circuit)	<sup>Note 4)</sup> 26.5 to 31.6 VDC (Supplied by AS-i circuit)	
	For sensors		24 VDC±20%				24 VDC±20%					
	For valve		24 VDC+10%/−5%									
Internal current consumption (Unit)			100 mA or less								SAS3: 100 mA or less SAS5: 65 mA or less	SAS7: 100 mA or less SAS9: 65 mA or less
Input specification	Number of inputs		32 points (Based on input block connection)								SAS3: 8 points SAS5: 4 points	SAS7: 8 points SAS9: 4 points
	Supply voltage		24 VDC									
	Supply current		1.0A or less								SAS3: 240 mA or less SAS5: 120 mA or less	<sup>Note 5)</sup>
Output specification	Output type		PNP output (−COM.)		NPN output (+COM.)		PNP output (−COM.)					
	Number of outputs		32 points								SAS3: 8 points SAS5: 4 points	SAS7: 8 points SAS9: 4 points
	Connection load		SMC: Solenoid valve with light/surge voltage suppressor (24 VDC, 1.5 W or less) Output block Power block									
	Supply voltage		24 VDC									
	Supply current		2.0 A or less								SAS3: 500 mA or less SAS5: 250 mA or less	<sup>Note 5)</sup>
	Output when communication error occurs		Hold/Clear (Switch setting)		Clear		Hold/Clear (Switch setting)					
Environmental resistance	Enclosure		IP67				IP40		IP67			
	Operating temperature range		5 to 45°C				−10 to 50°C		5 to 45°C			
	Operating humidity range		35 to 85%RH (With no condensation)									
	Withstand voltage		500 VAC for 1 min. between external terminals and FG									
	Insulation resistance		10 MΩ or more (500 VDC) between external terminals and FG									
	Vibration resistance		10 to 150 Hz with a 0.35 mm amplitude or 49 m/s <sup>2</sup> in each X, Y, Z direction for 2 hrs (De-energized)									
	Impact resistance		147 m/s <sup>2</sup> in each X, Y, Z direction, 3 times (De-energized)									
Standard			CE marking, UL (CSA)									
Accessory <sup>Note 6)</sup>			Tie-rod 2 pcs.									

Note 1) This is a specification to transmit the diagnostic information of voltage drop of the valve power supply and input block fuse blowout as an input data to the master. EX250-SDN1 becomes I/O connection time out when the diagnostic information is detected, but not EX250-SDN1-X102.

Since this is a special product, a manifold part number is not specified. Please consult SMC for the manifold integrated type.

Note 2) Please note that the version is subject to change.

Note 3) Each file can be downloaded from SMC's website (<http://www.smcworld.com/>).

Note 4) Since EX250-SAS7/9 is compatible with the 1 power supply system, the power supply for units is divided into two: the power supply for sensors and for valves.

Note 5) Since EX250-SAS7/9 is compatible with the 1 power supply system, the power supply must be divided in accordance with the values below. (Refer to page 1667 for details.)

(EX250-SAS7 ... Max. 240 mA, EX250-SAS9 ... Max. 120 mA)

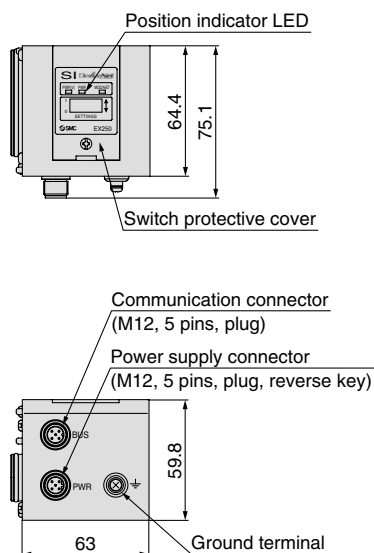
Note 6) When the SI unit is mounted to the manifold when shipped, accessories are shipped together with it.

Note 7) For detailed specifications other than the above, refer to the separate technical operation manual that can be downloaded from SMC's website (<http://www.smcworld.com/>).

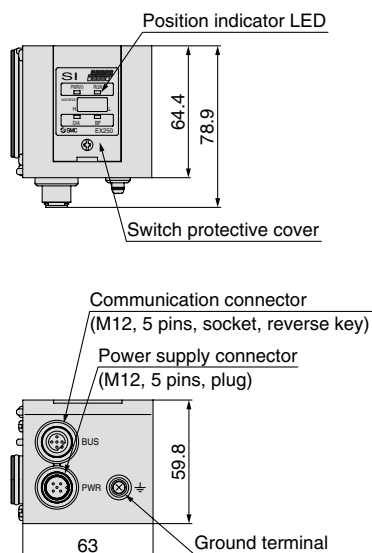
# Series EX250

## SI Unit Dimensions / Parts Description

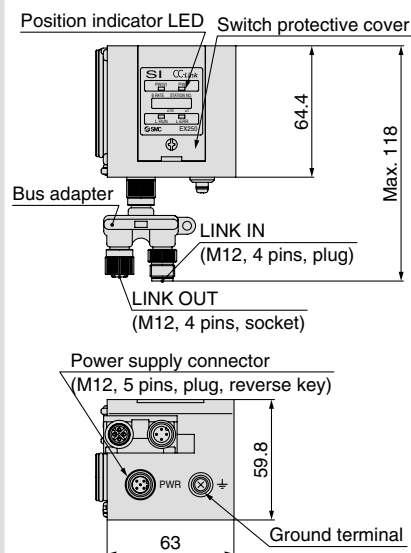
### EX250-SDN1 (DeviceNet)



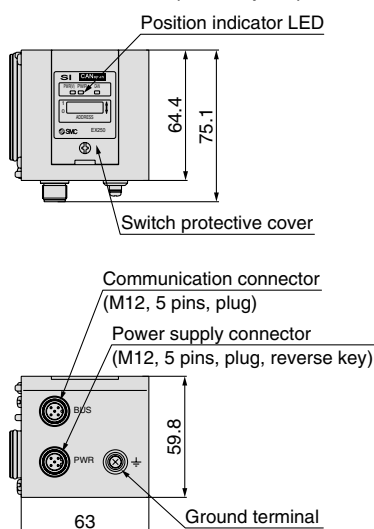
### EX250-SPR1 (PROFIBUS DP)



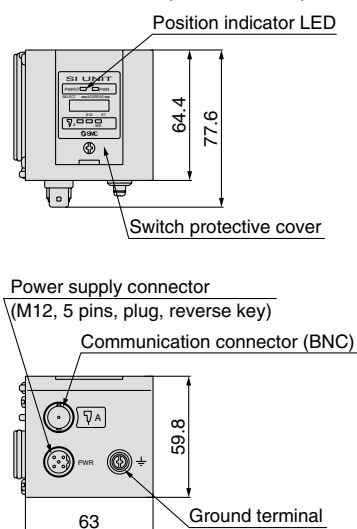
### EX250-SMJ2 (CC-Link)



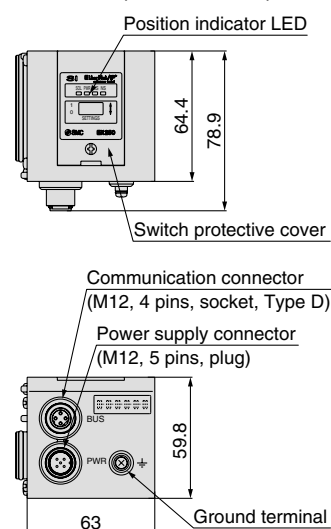
### EX250-SCA1A (CANopen)



### EX250-SCN1 (ControlNet)

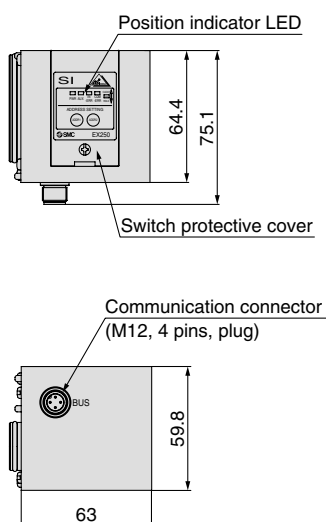


### EX250-SEN1 (EtherNet/IP)

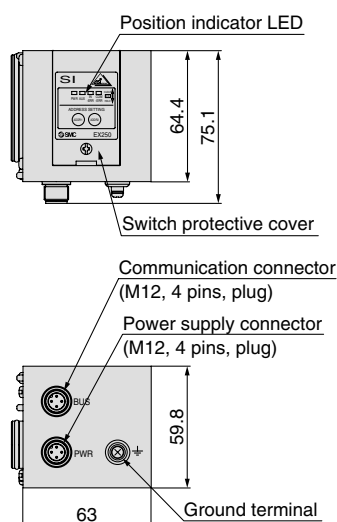


## AS-Interface

### EX250-SAS7/9 (1 power supply system)



### EX250-SAS3/5 (2 power supply systems)





# Series EX250 Precautions

Be sure to read before handling.

## When one AS-Interface power supply system is used

### ⚠ Caution

		EX250-SAS7	EX250-SAS9
<b>Power supply voltage</b>		Supplied from AS-Interface circuit, 26.5 to 31.6 VDC <small>Note 1)</small>	
<b>Internal current consumption</b>		Max. 100 mA	Max. 65 mA
<b>Input/output specification</b>	<b>Number of inputs</b>	8	4
	<b>Number of outputs</b>	8	4
	<b>Supply voltage</b>	24 VDC	
	<b>Supply current</b> <small>Note 2)</small>	Max. 240 mA	Max. 120 mA

Note 1) For communication power supply, use a power supply dedicated to AS-Interface. For details, please refer to instruction manuals provided by the respective manufacturers.

Note 2) The AS-Interface circuit provides current to the internal parts of the SI unit and all connected equipment.

Since there is a limit on the possible supply current to all connected equipment, select the equipment connected to the input/output device to stay within the possible supply current.

Example) When EX250-SAS9 is used

Valve: VQC1100NY – 5 (low-wattage type of 0.5 W) x 4 pcs.

$$0.5 \text{ [W]} \div 24 \text{ [V]} \times 4 \text{ [pcs.]} = 84 \text{ [mA]} \text{ (4 outputs simultaneously ON)}$$

The maximum possible supply current of EX250-SAS9 is 120 mA. Therefore, the possible supply current to the sensor is

$$120 \text{ [mA]} - 84 \text{ [mA]} = 36 \text{ [mA]}$$

Use of low-wattage type valves by minimizing the maximum number of simultaneous outputs, and low current consumption sensors (2-wire sensor, etc.) is recommended.

## Maximum number of AS-Interface compatible input blocks

SI unit specifications		Input block type		Input block maximum stations
<b>EX250-SAS3</b>	AS-Interface 8in/8out 31SlaveMode, 2 power supply systems	1	M12/2 inputs	4 stations
		2	M12/4 inputs	2 stations
		3	M8/4 inputs	2 stations
<b>EX250-SAS5</b>	AS-Interface 4in/4out 31SlaveMode, 2 power supply systems	1	M12/2 inputs	2 stations
		2	M12/4 inputs	1 station
		3	M8/4 inputs	1 station
<b>EX250-SAS7</b>	AS-Interface 8in/8out 31SlaveMode, 1 power supply system	1	M12/2 inputs	4 stations
		2	M12/4 inputs	2 stations
		3	M8/4 inputs	2 stations
<b>EX250-SAS9</b>	AS-Interface 4in/4out 31SlaveMode, 1 power supply system	1	M12/2 inputs	2 stations
		2	M12/4 inputs	1 station
		3	M8/4 inputs	1 station

EX

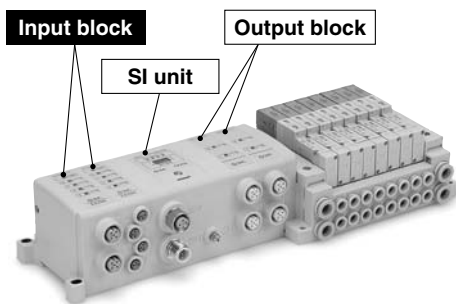
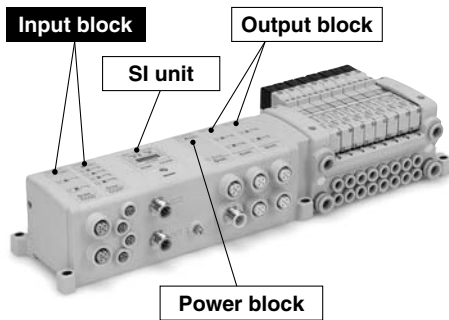
## How to Order Input Block

### EX250-IE 1

● Block type

1	M12 connector, 2 inputs
2	M12 connector, 4 inputs
3	M8 connector, 4 inputs

### Input Block



For options, refer to pages 1670 to 1678.

## Input Block Specifications

Model		EX250-IE1	EX250-IE2	EX250-IE3
Input specification	Input type	PNP/NPN sensor input (switched using a switch)		
	Number of inputs	2 points	4 points	
	Input device supply voltage	24 VDC		
	Input device supply current	Max. 30 mA/point <sup>Note 1)</sup>		
	Rated input current	Approx. 8 mA		
	Display	Green LED (Illuminated when the power supply for the SI unit input is applied), Yellow LED (Illuminated when the input signal is turned on.)		
	Connector on the input device side	M12 connector (4 pins, plug or 5 pins, plug)		M8 connector (3 pins, plug)
Environmental resistance	Enclosure	IP67		
	Operating temperature range	-10 to 50°C		
	Operating humidity range	35 to 85%RH (with no condensation)		
	Withstand voltage	500 VAC for 1 min. between external terminals and FG		
	Insulation resistance	10 MΩ or more (500 VDC) between external terminals and FG		
	Vibration resistance	10 to 150 Hz with a 0.35 mm amplitude or 49 m/s <sup>2</sup> in each X, Y, Z direction for 2 hrs (De-energized)		
	Impact resistance	147 m/s <sup>2</sup> , in each X, Y, Z direction, 3 times (De-energized)		
Standard		CE marking, UL (CSA)		
Accessory <sup>Note 2)</sup>		Tie-rod 2 pcs.		

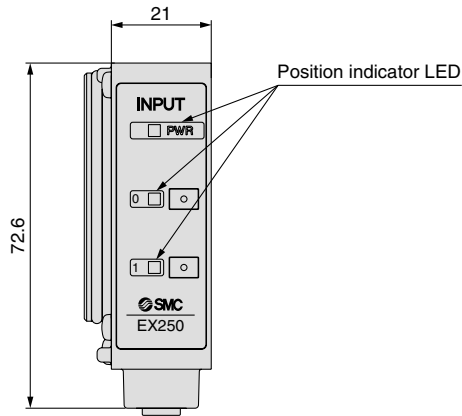
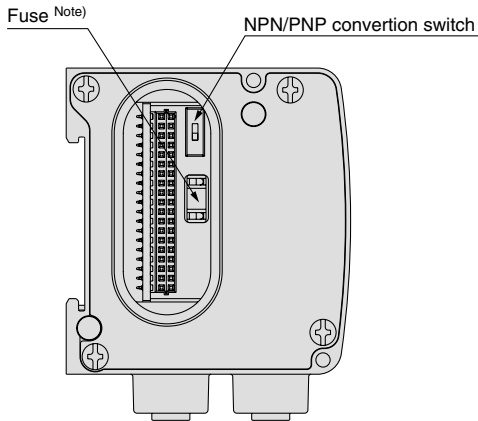
Note 1) When the maximum inputs to the SI unit is reached by adding an input block, pay attention not to exceed the supply current for the SI unit input.

Note 2) When the SI unit is integrated into manifold, its tie-rod is also incorporated at the time of shipping.

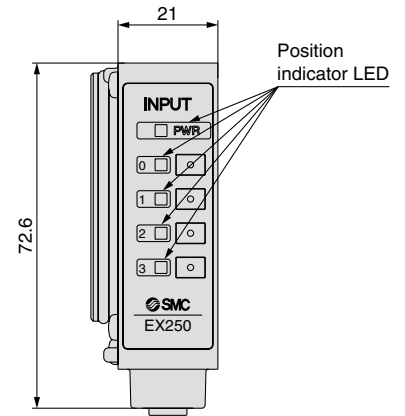
Note 3) For detailed specifications other than the above, refer to the separate technical operation manual that can be downloaded from SMC's website (<http://www.smcworld.com/>).

## Input Block Dimensions / Parts Description

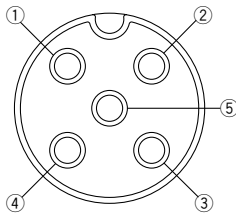
### EX250-IE1, EX250-IE2



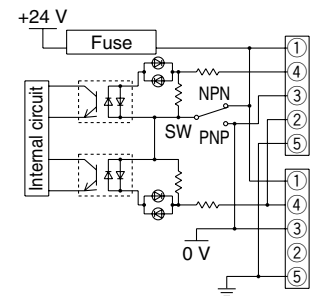
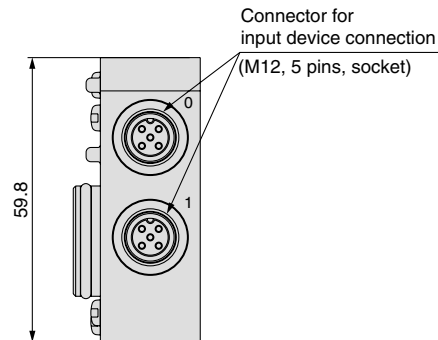
EX250-IE1



EX250-IE2

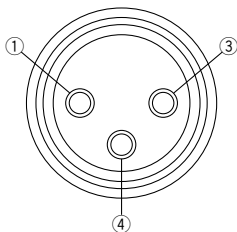
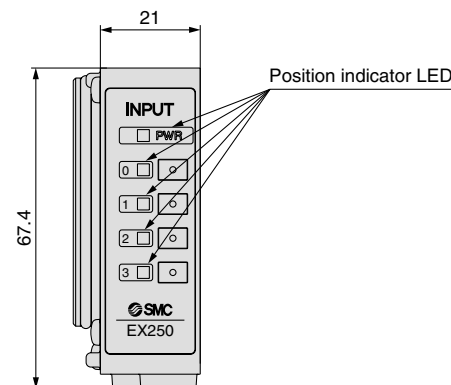
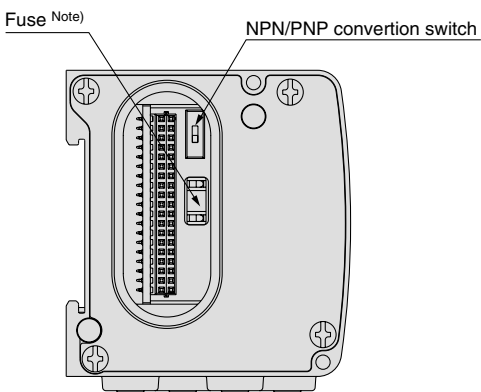


Connector's pin assignment for the input device connection (M12, 5 pins, socket)

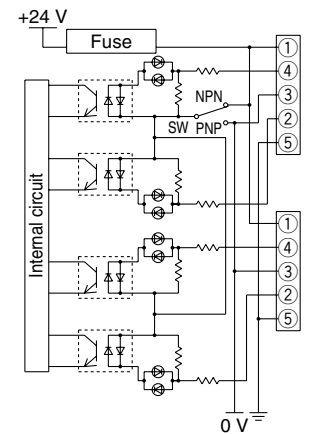
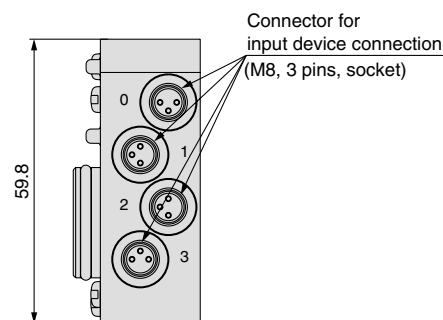


Circuit diagram: EX250-IE1

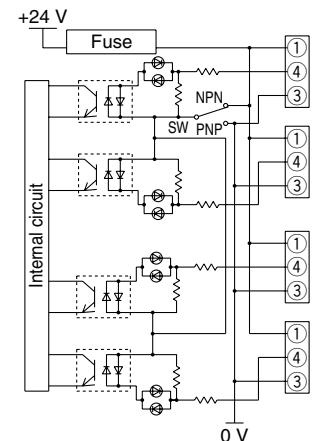
### EX250-IE3



Connector's pin assignment for the input device connection (M8, 3 pins, socket)



Circuit diagram: EX250-IE2



Circuit diagram: EX250-IE3

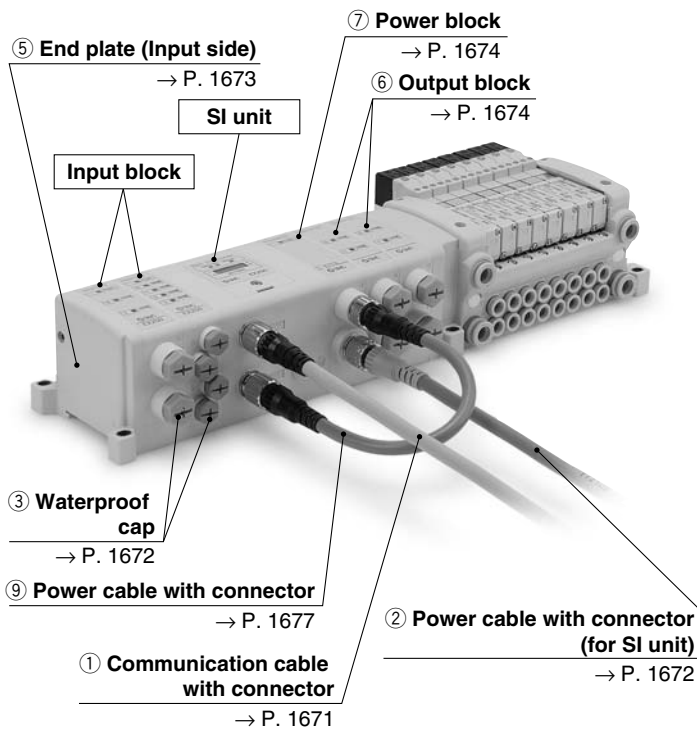
Note) Fuse for overcurrent protection

If addressing the possible cause of a problem, even when the fuse is blown, it can be reinstated by replacing with a fuse as shown in options, page 1673.

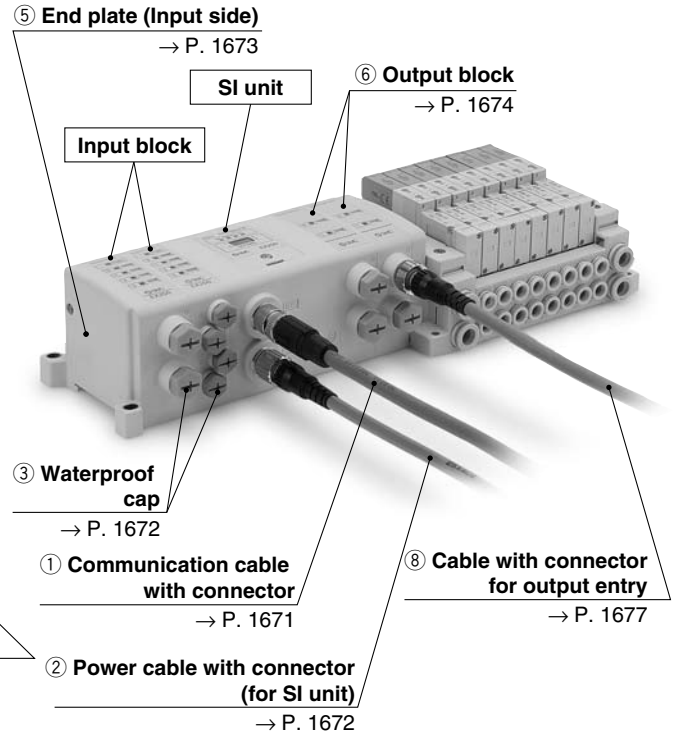
## Options

### Example of connections

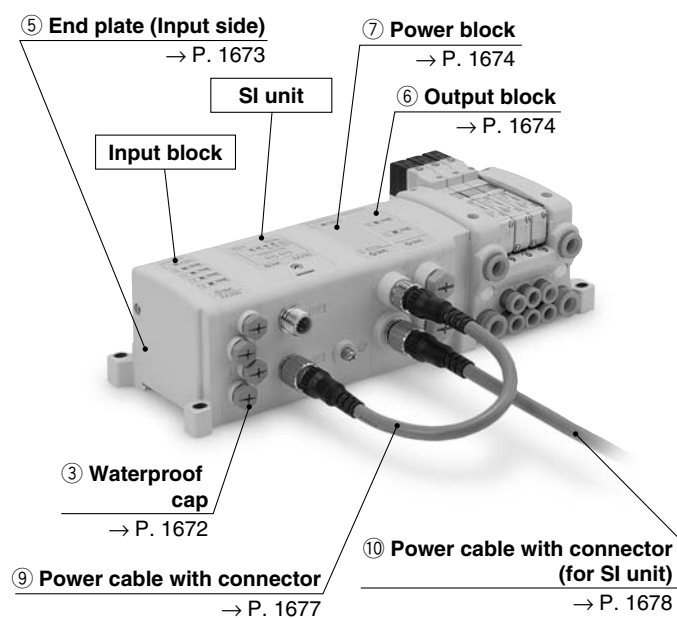
#### Connection example of the SI unit compliant with DeviceNet



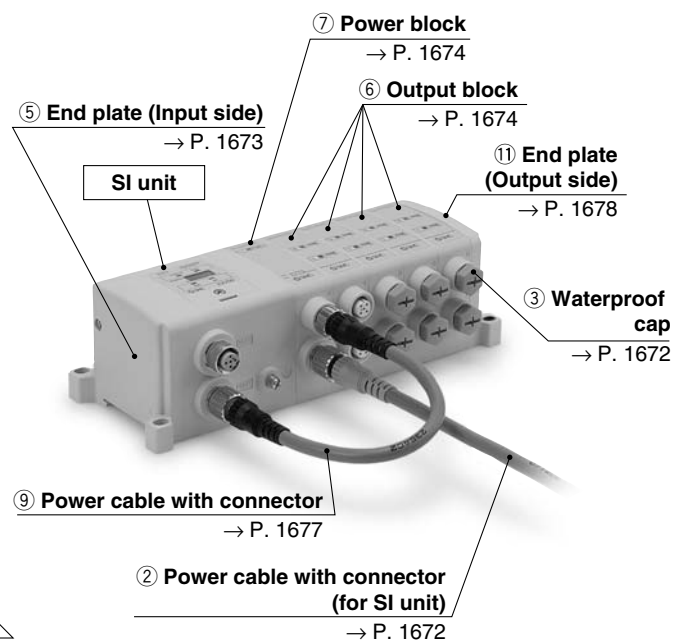
#### Connection example of the SI unit compliant with EtherNet/IP



#### Connection example of the SI unit compliant with AS-Interface



#### Connection example of the SI unit compliant with PROFIBUS DP



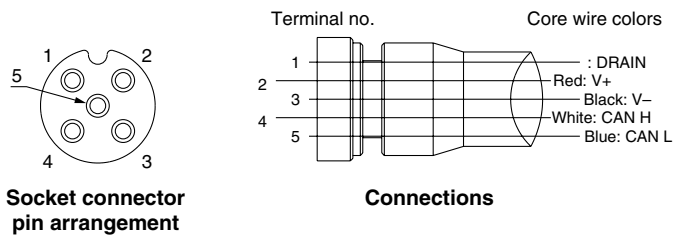
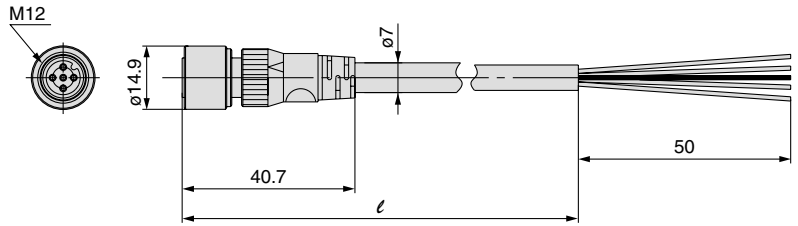
① Communication cable with connector

For DeviceNet type SI unit

**EX500-AC 050-DN**

Cable length (ℓ)

010	1000 [mm]
050	5000 [mm]



For EtherNet/IP type SI unit

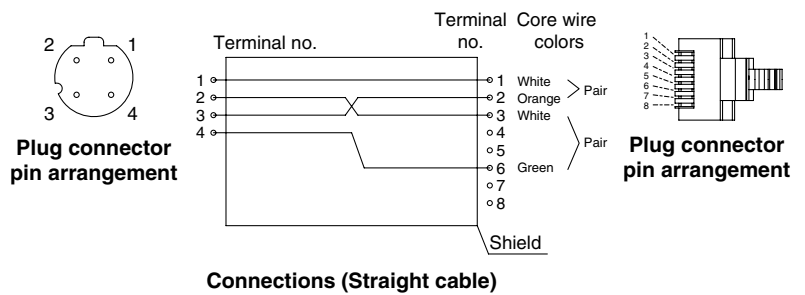
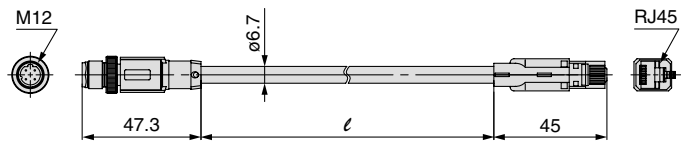
**EX9-AC 020 EN-PSRJ**

Cable length (ℓ)

020	2000 [mm]
-----	-----------

Connector specification

PSRJ	M12 plug (straight) ↔ RJ45 connector
------	--------------------------------------



EX



# Series EX250

## Options

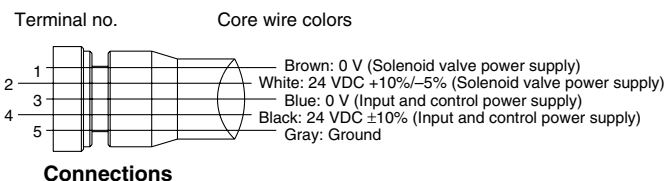
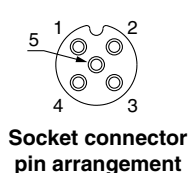
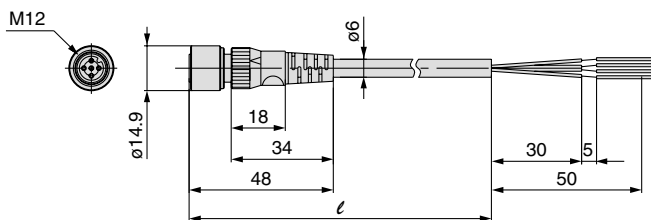
### ② Power cable with connector (for SI unit)

For PROFIBUS DP, EtherNet/IP type SI unit

#### EX500 – AP 050 – S

Cable length (ℓ)

010	1000 [mm]
050	5000 [mm]

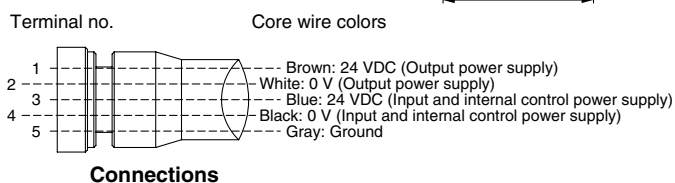
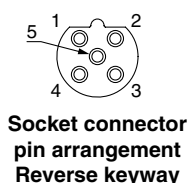
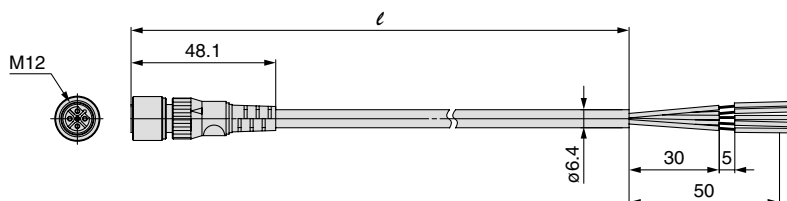


For the SI unit (except for PROFIBUS DP, AS-Interface, EtherNet/IP) and power block

#### EX9 – AC 050 – 1

Cable length (ℓ)

010	1000 [mm]
030	3000 [mm]
050	5000 [mm]



### ③ Waterproof cap: M8, M12 connector (for socket)

Use this on ports that are not being used for M8 and M12 connectors (socket).

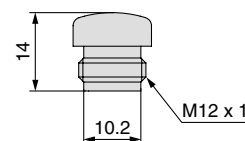
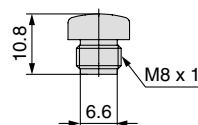
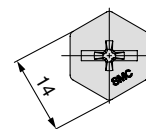
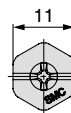
Use of this waterproof cap maintains the integrity of the IP67 enclosure.

Note) Tighten the waterproof cap with the prescribed tightening torque. (For M8: 0.05 N·m, For M12: 0.1 N·m)

#### EX500 – AW

Connector type

ES	M8 connector (for socket), 10 pcs.
TS	M12 connector (for socket), 10 pcs.



M8 connector (for socket)

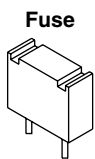
M12 connector (for socket)

④ Replacement fuse

Replacement fuse required when the fuse for the input block (EX250-IE□) overcurrent protection is blown.

**EX9 – FU05**

Model	<b>EX9-FU05</b>
Applicable model	EX250-IE□
Rated current	0.5 A
Rated insulation capacity	48 VAC/DC 50 A
Fuse resistance value	0.36 Ω



⑤ End plate (Input side)

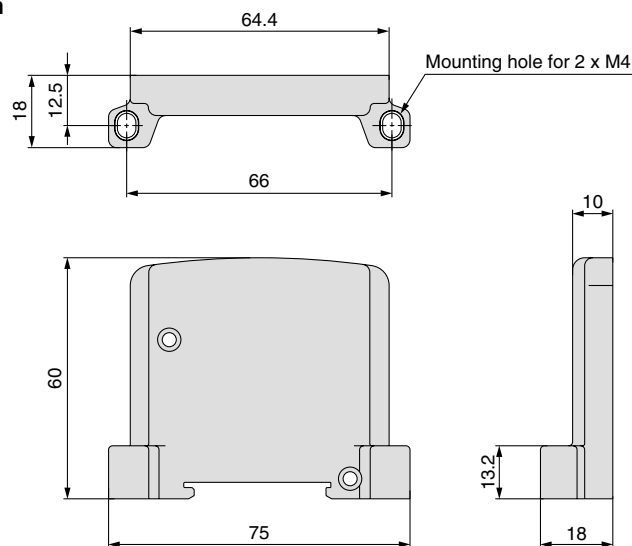
**EX250 – EA 1**

● Mounting specification

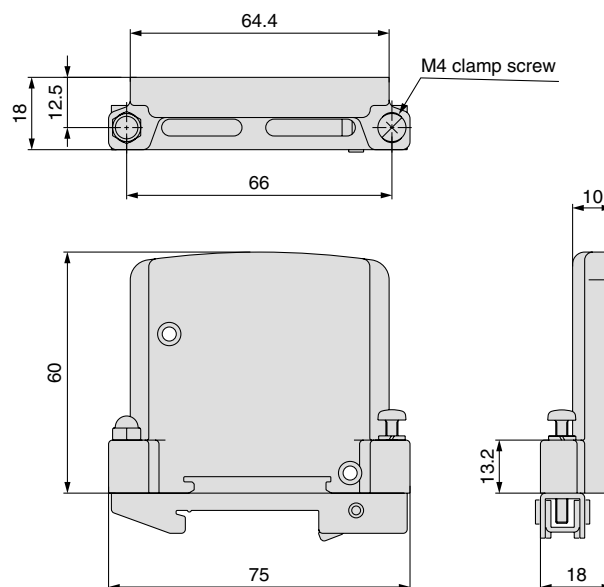
1	Direct mounting
2	DIN rail mounting

Accessory  
Hexagon socket head cap screw (M3 x 10): 2 pcs.

**EX250-EA1**



**EX250-EA2**



EX

# Series EX250

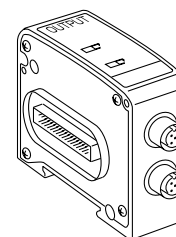
## Options

### ⑥ Output block / ⑦ Power block

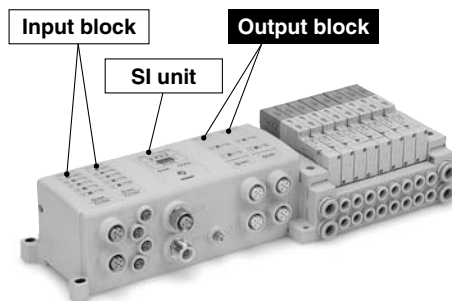
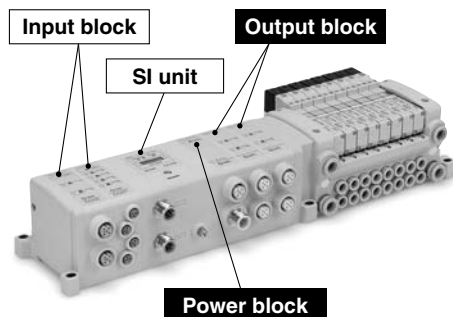
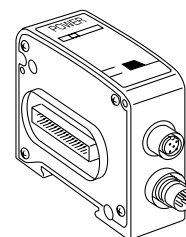
Features: • Able to retrofit to the valve manifold, using the unused points.

- 2-output (M12 connector)
- + common / – common are standardized.
- Able to drive by 0.5 A per point.

Output block



Power block



### How to Order Output Block

## EX9 – OE T 1

#### • Output specification

1	PNP output (–COM.)
2	NPN output (+COM.)

#### • Power supply type

T	Internal power supply method (for low-wattage load)
P	Integrated power supply method (for high-wattage load) <small>Note)</small>

Note) Required to connect with a power block.

### How to Order Power Block

## EX9 – PE1

#### Option/Part No.

Description	Part no.	Note
Waterproof cap	<b>EX500-AWTS</b>	Refer to page 1672. Order separately: 10 pcs. included
Power cable with connector	<b>EX9-AC□-1</b>	Refer to page 1672, Order separately.
Cable with connector for between SI unit and power block	<b>EX9-AC002-2</b> <b>EX9-AC002-3</b> <b>EX9-AC002-4</b>	Refer to page 1677, Order separately.
AS-Interface power supply cable	<b>EX9-AC□-5</b>	Refer to page 1678, Order separately.

#### SI Unit Part No.

SI unit part no.	Output	Applicable model
<b>EX250-SDN1</b> <b>EX250-SPR1</b> <b>EX250-SAS□</b> <b>EX250-SCA1A</b> <b>EX250-SCN1</b> <b>EX250-SEN1</b>	PNP output (–COM.)	EX9-OET1 EX9-OEP1
<b>EX250-SMJ2</b>	NPN output (+COM.)	EX9-OET2 EX9-OEP2

#### Option/Part No.

Description	Part no.	Applicable model		Note
		OET□	OEP□	
Waterproof cap	<b>EX500-AWTS</b>	○	○	Refer to page 1672. Order separately: 10 pcs. included
Cable with connector for output entry	<b>EX9-AC□-7</b>	○	○	Refer to page 1677. Order separately.
Power block	<b>EX9-PE1</b>		○	Refer to the right page. Order separately.

### Output Block Specifications

Model		EX9-OET1	EX9-OET2	EX9-OEP1	EX9-OEP2
<b>Output connector</b>		M12 connector (5 pins)			
<b>Internal current consumption</b>		40 mA or less			
<b>Output specification</b>	<b>Output type</b>	PNP output (–COM.)	NPN output (+COM.)	PNP output (–COM.)	NPN output (+COM.)
	<b>Number of outputs</b>	2 points			
	<b>Power supply method</b>	Internal power supply method		Integrated power supply method (Power block: supplied from EX9-PE1)	
	<b>Output device supply voltage</b>	24 VDC			
	<b>Output device supply current</b>	Max. 62 mA/point (1.5 W/point)		Max. 0.5 A/point (12 W/point)	
	<b>Display</b>	Yellow LED (Lights when power is turned ON.)			
	<b>Connector on the output device side</b>	M12 connector (5 pins, plug)			
<b>Environmental resistance</b>	<b>Enclosure</b>	IP67			
	<b>Operating temperature range</b>	–10 to 50°C			
	<b>Operating humidity range</b>	35 to 85%RH (with no condensation)			
	<b>Withstand voltage</b>	1500 VAC for 1 min. between external terminals and FG			
	<b>Insulation resistance</b>	10 MΩ or more (500 VDC) between external terminals and FG			
	<b>Vibration resistance</b>	10 to 150 Hz with a 0.35 mm amplitude or 49 m/s <sup>2</sup> in each X, Y, Z direction for 2 hrs (De-energized)			
	<b>Impact resistance</b>	98 m/s <sup>2</sup> in each X, Y, Z direction, 3 times (De-energized)			
<b>Standard</b>		CE marking, UL (CSA)			
<b>Accessory</b>	<b>Tie-rod</b>	2 pcs.			

### Power Block Specifications

Model		EX9-PE1
<b>Connection block</b>		Output block (EX9-OEP□)
<b>Connection block stations</b>		Output block: Max. 9 stations (excluding input blocks) <sup>Note 1)</sup>
<b>Power supply for output and internal control</b>	<b>Power supply voltage</b>	22.8 to 26.4 VDC
	<b>Internal power consumption</b>	20 mA or less
<b>Supply current</b>		Max. 3.1 A (When using with 3.0 to 3.1 A, the ambient temperature should not exceed 40°C, and do not bundle the cable.)
<b>Environmental resistance</b>	<b>Enclosure</b>	IP67
	<b>Operating temperature range</b>	–10 to 50°C
	<b>Operating humidity range</b>	35 to 85%RH (with no condensation)
	<b>Withstand voltage</b>	1500 VAC for 1 min. between external terminals and FG
	<b>Insulation resistance</b>	10 MΩ or more (500 VDC) between external terminals and FG
	<b>Vibration resistance</b>	10 to 150 Hz with a 0.35 mm amplitude or 49 m/s <sup>2</sup> in each X, Y, Z direction for 2 hrs (De-energized)
	<b>Impact resistance</b>	98 m/s <sup>2</sup> in each X, Y, Z direction, 3 times (De-energized)
<b>Standard</b>		CE marking, UL (CSA)
<b>Accessory</b>	<b>Tie-rod</b>	2 pcs.
	<b>Waterproof cap (for M12 connector socket)</b>	1 pc. (EX500-AWTS)

Note 1) The total number of connectable input/output/power block to the EX250 series SI unit (except for AS-Interface compliant) is 10 stations at the maximum.

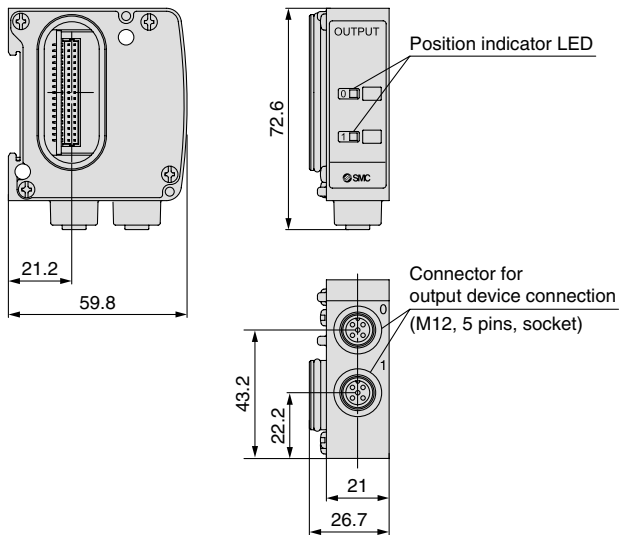
Note 2) For detailed specifications other than the above, refer to the separate technical operation manual that can be downloaded from SMC's website (<http://www.smcworld.com/>).

EX

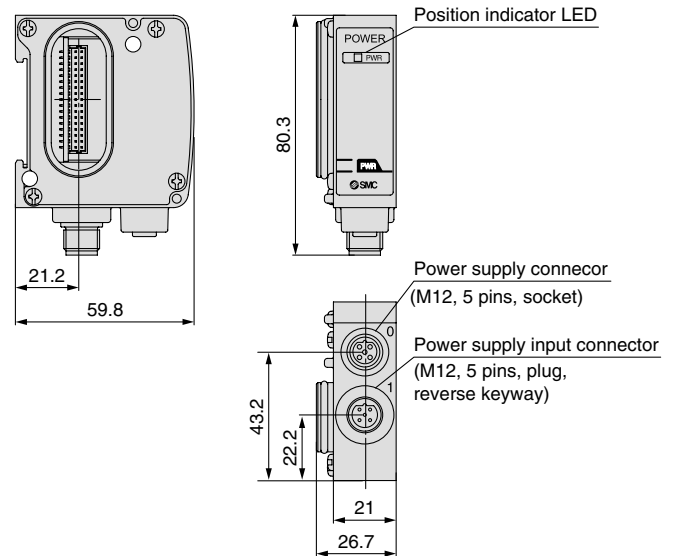
# Series EX250

## Options

### Output Block Dimension

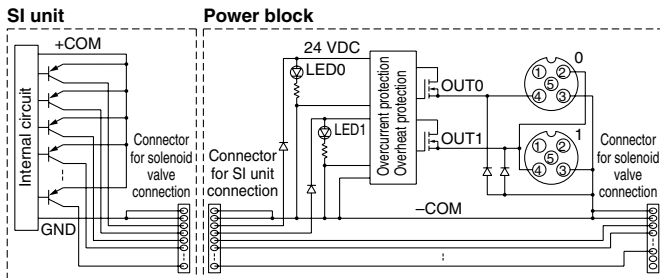


### Power Block Dimension

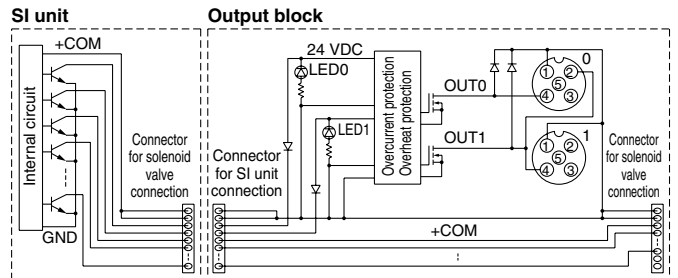


## Circuit Diagram

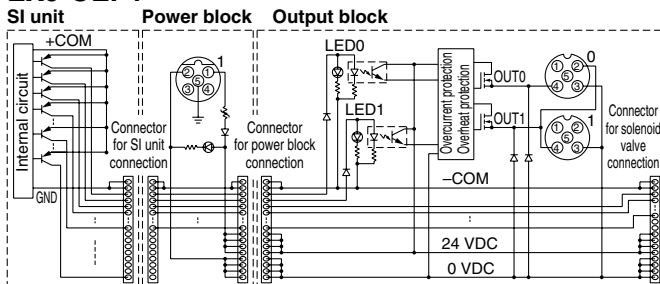
### EX9-OET1



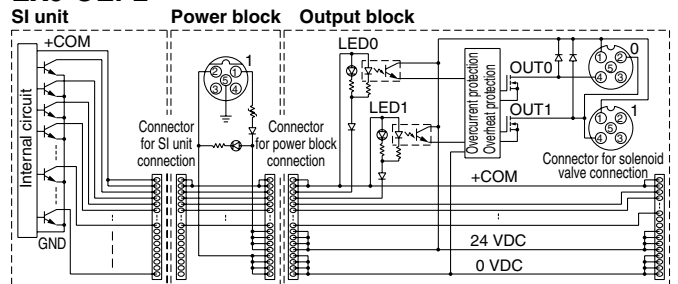
### EX9-OET2



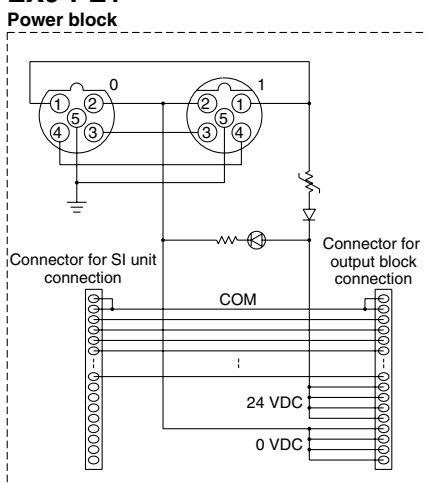
### EX9-OEP1



### EX9-OEP2



### EX9-PE1



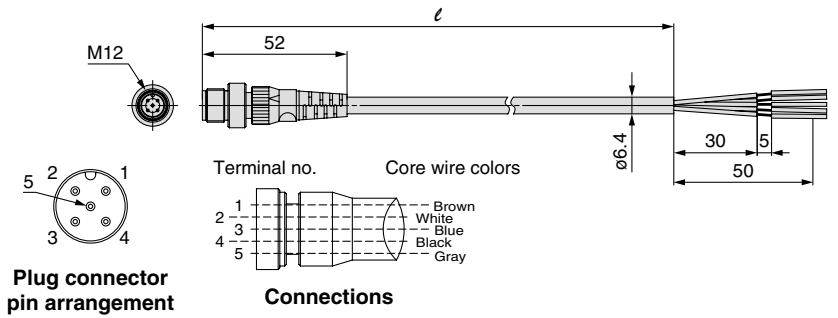
We sell this product individually. Please place an order separately. You are requested to connect it to an SI unit and a valve manifold. When using the output block only (valve manifold is unused.), place an order for an end plate (① EX9-EA□) separately for connection. Refer to the separate technical instruction manual for connection, wiring, installation, optional goods and cable, etc.

⑧ Cable with connector for output entry

**EX9-AC030-7**

Cable length (ℓ)

010	1000 [mm]
030	3000 [mm]



Note) Wiring to the output devices differs depending on the output style of the output block.  
For details, please refer to the technical documentation for the output block.

⑨ Power cable with connector

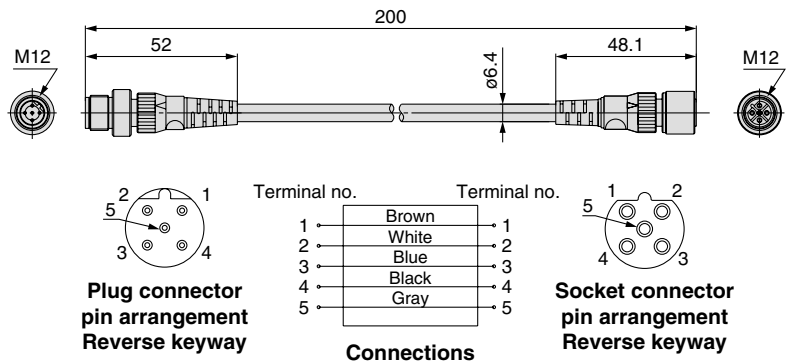
Connects between the power supply connector for the power block and the SI unit power supply connector, bridging the external power supply, which is supplied with the power block, to the SI unit.

**EX9-AC002-2**

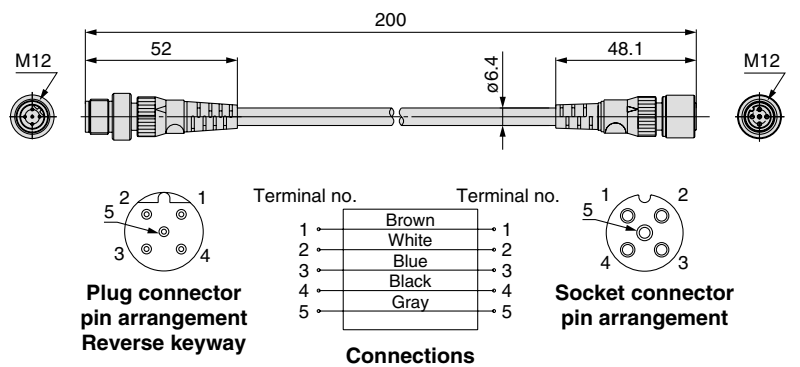
SI unit type

2	EX250-SDN1	} Compliant
	EX250-SMJ2	
	EX250-SCA1A	
	EX250-SCN1	
3	EX250-SPR1	} Compliant
	EX250-SEN1	
4	EX250-SAS3/5	Compliant

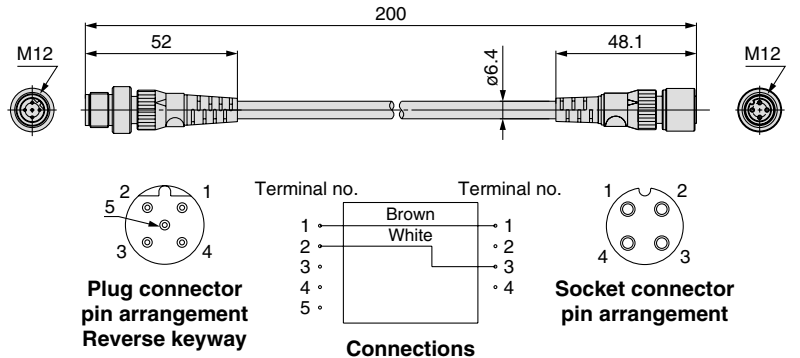
**EX9-AC002-2**



**EX9-AC002-3**



**EX9-AC002-4**



EX

# Series EX250

## Options

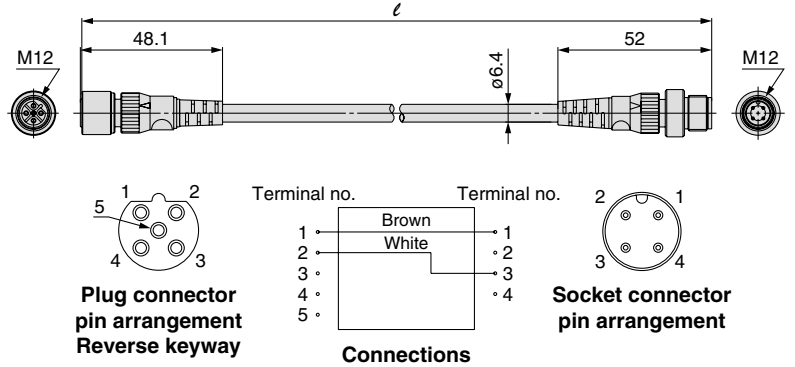
### ⑩ AS-Interface power cable

Cable connecting between AS-Interface power supply line (for external devices) branch connector (M12) and the power block's power supply input connector.

#### EX9-AC 010-5

Cable length (ℓ)

010	1000 [mm]
030	3000 [mm]
050	5000 [mm]



### ⑪ End plate (Output side)

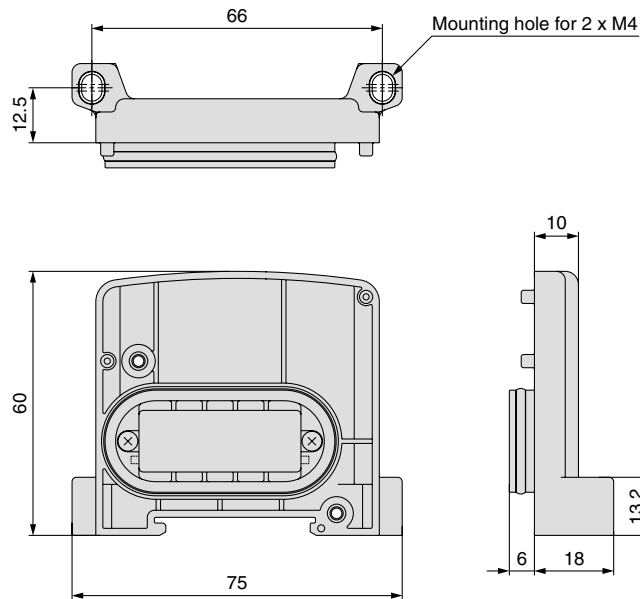
The plate connected on the output block side in order to connect or fix between the SI unit and the input/output/power block when the valve manifold is not used.

#### EX9-EA 03

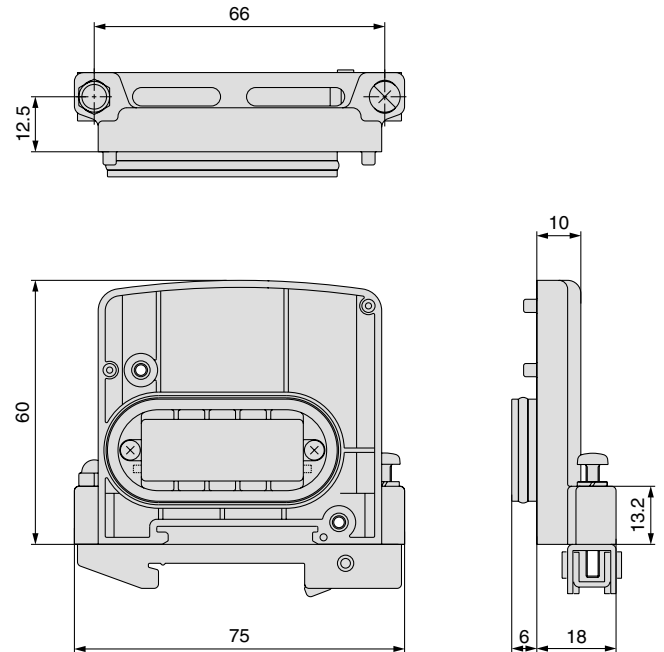
Mounting specification

03	Direct mounting
04	DIN rail mounting

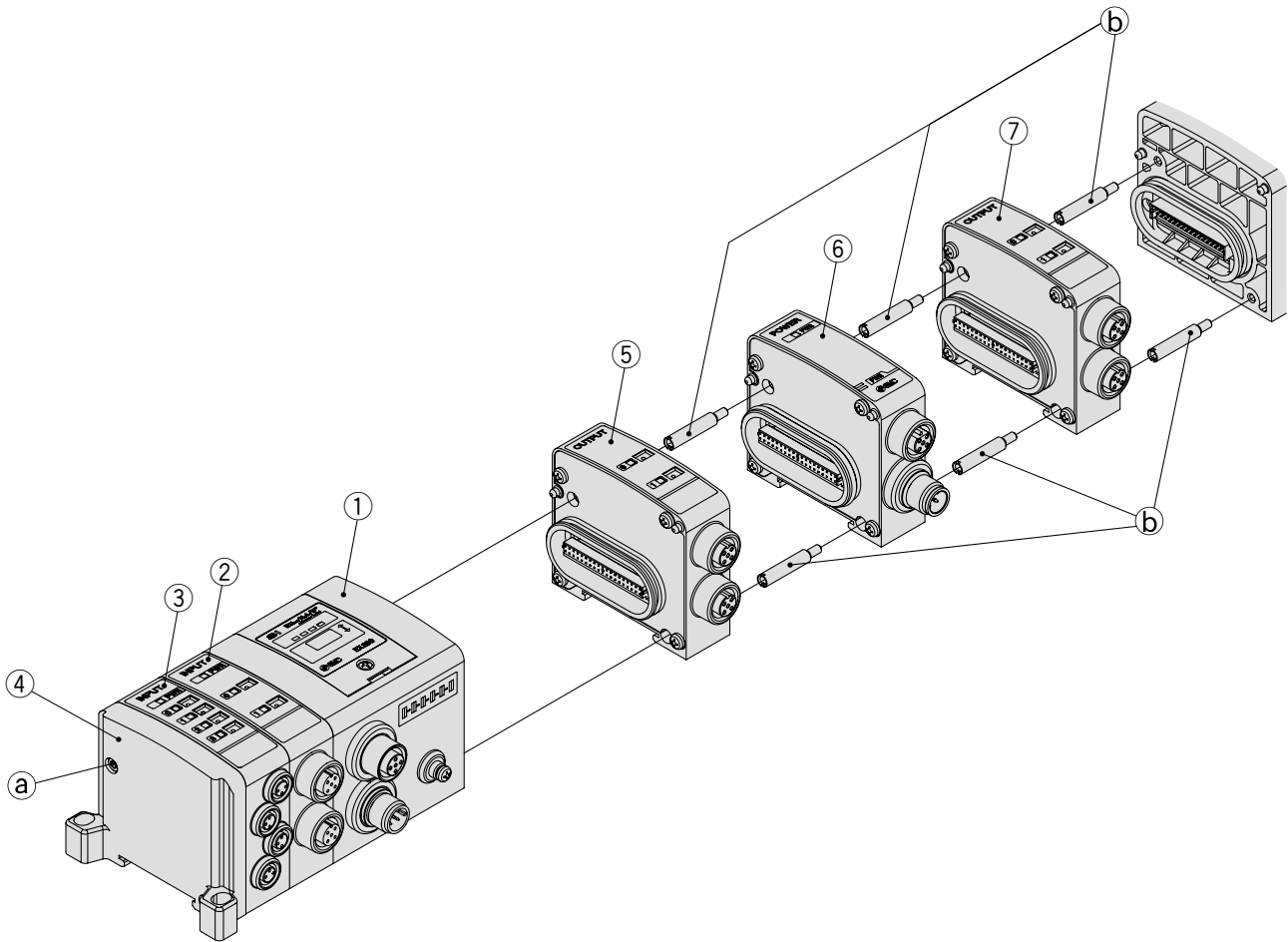
#### EX9-EA03



#### EX9-EA04



## How to Increase Input/Output Blocks, Procedure Drawing



EX

### Parts List

No.	Description	Part no.	Note
1	SI unit	EX250-S□	For details, refer to pages 1664 to 1667.
2	Input block (M12, 2 inputs)	EX250-IE1	PNP/NPN switchable
3	Input block (M8, 4 inputs)	EX250-IE3	PNP/NPN switchable
4	End plate (Input side)	EX250-EA1	EA2: DIN rail mounting
5	Output block (For low-wattage load)	EX9-OET□	1: PNP output, 2: NPN output <sup>Note)</sup>
6	Power block	EX9-PE1	For EX9-OEP□
7	Output block (For high-wattage load)	EX9-OEP□	1: PNP output, 2: NPN output <sup>Note)</sup>

Note) Refer to page 1674 for the applicable SI unit for each output block.

### How to increase the input block, and output block (power block)

- ① Loosen the hexagon socket head cap screws (a) (2 locations) which are fixing the end plate of the valve manifold.
- ② Separate the section to be installed additionally.
- ③ Add and increase the attached tie-rod (b) (2 pcs per block) to the increased block respectively and pass through a block by the tie-rod.

Increased section: Input block ..... Between the left side of the SI unit and the end plate  
: Output (power) block ..... Between the right side of the SI unit and the valve

- ④ Fix by loosening the hexagon socket head cap screw (a), paying attention to avoid the gap between each block. (0.6 N·m)

\* In the case of the DIN rail manifold, prepare the DIN rail long enough to ensure the extended length, because the length of the manifold is increased by a 21 mm per block addition. Please contact SMC for the DIN rail's part number and its specifications.