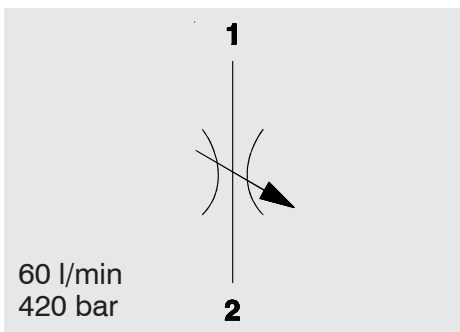
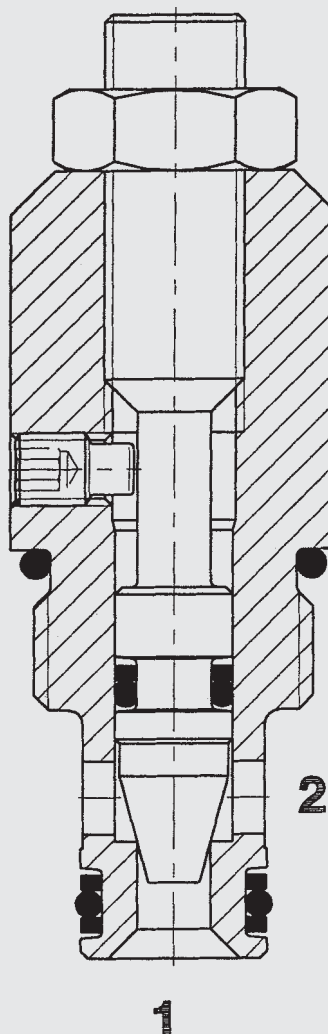


Needle Valve SAE 8-Cartridge – 420 bar

SD08-01



FUNCTION



The SD08 controls flow in either direction from full flow up to leakfree shut-off. Flow is non-pressure compensated: dependent on pressure differential and viscosity.

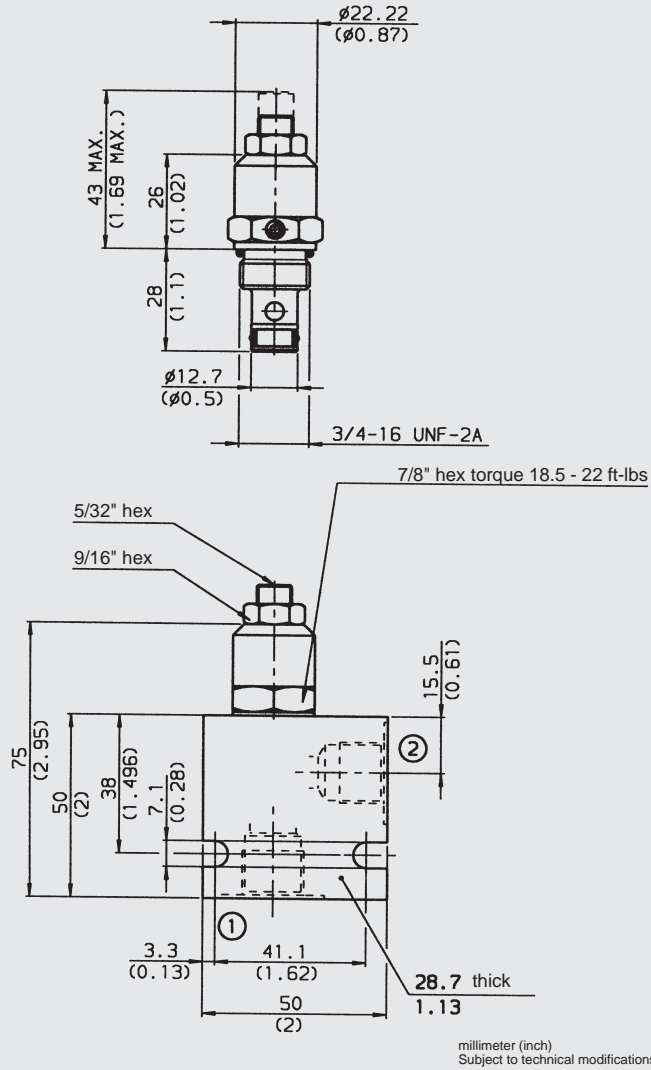
FEATURES

- All surfaces zinc-plated and corrosion proof
- Complete shut-off function
- Compact design

SPECIFICATIONS

Operating pressure:	420 bar
Nominal flow:	60 l/min
Media operating temp. range:	-20 °C to +120 °C
Fluids:	Mineral-based or synthetics with lubricating properties
Viscosity:	7.4 to 420 cSt
Filtration:	Class 21/19/16 according to ISO 4406 or cleaner
Material:	Valve body: carbon steel Needle: carbon steel Seals: NBR (Standard) FKM (Option)
Cavity:	FC08-2
Weights:	112 g

DIMENSIONS



MODEL CODE

SD08-01 C - N - V

Basic Model

Body and Ports*

C = Cartridge only
 SB3= 3/8 BSP ports, steel body
 SS6= SAE-6 ports, steel body
 AB3= 3/8 BSP ports, aluminium body
 AS6= SAE-6 ports, aluminium body

Seals

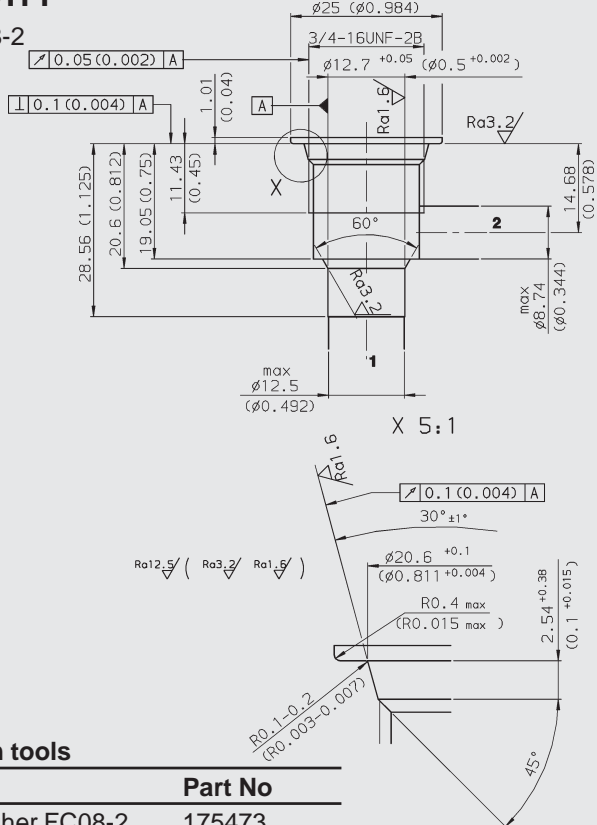
N = NBR
 V = FKM

Adjustment Option

V = Allen head (HEX 5/32")
 H = Knob adjustment

CAVITY

FC08-2



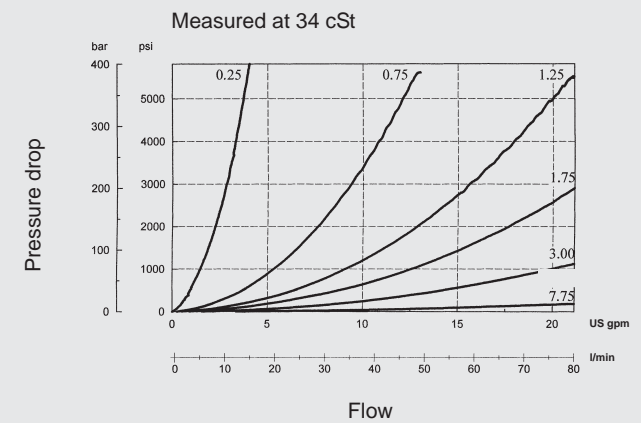
Form tools

Tool	Part No
Rougher FC08-2	175473
Finisher FC08-2	175474

* Standard Line Bodies

Code	Part No	Material	Ports	Pressure
FH082-SB3	560919	Steel, zinc-plated	3/8 BSP	420 bar
FH082-SS6	560917	Steel, zinc-plated	SAE-6	420 bar
FH082-AB3	3011423	Aluminium, clear anodized	3/8 BSP	245 bar
FH082-AS6	3011409	Aluminium, clear anodized	SAE-6	245 bar

PERFORMANCE (Cartridge Only)



NOTE

The information in this brochure relates to the operating conditions and applications described. For applications or operating conditions not described, please contact the relevant technical department. Subject to technical modifications.

HYDAC Fluidtechnik GmbH

Justus-von-Liebig-Str.
D-66280 Sulzbach/Saar
 Tel: 0 68 97 /509-01
 Telefax: 0 68 97 /509-598
 E-Mail: flutec@hydac.com