
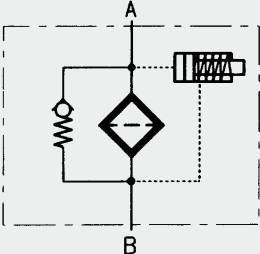
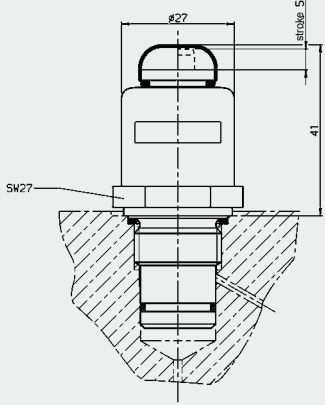
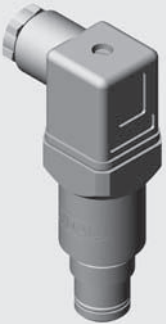
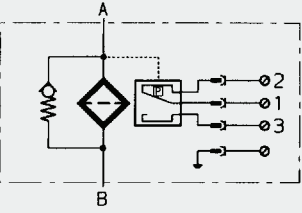
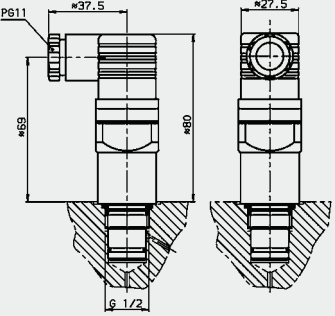


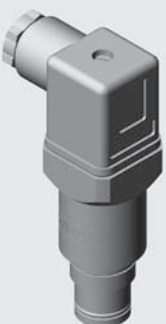
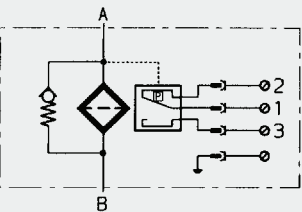
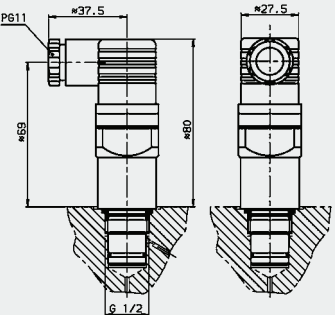
VD x BM.x

 	Type of indication	visual, green-red zone manual reset	
	Weight	110 g	
	Pressure setting / indication range	5 bar - 10% 8 bar ± 10%	
	Permiss. operating pressure	420 bar	
	Permiss. temperature range	-30 °C to +100 °C	
	Connection thread	G ½	
	Max. torque	100 Nm	
	Switching type	–	
	Max. switching voltage	–	
	Electrical connection	–	
	Max. switching output at resistive load	–	
	Switching capacity	–	
	Protection class to DIN 40050	–	
Order example	VD 5 BM.1		

VM x C.x

 	Type of indication	electrical switch	
	Weight	120 g	
	Pressure setting / indication range	2 bar - 10% 5 bar - 10% 8 bar ± 10%	
	Permiss. operating pressure	210 bar	
	Permiss. temperature range	-30 °C to +100 °C	
	Connection thread	G ½	
	Max. torque	33 Nm	
	Switching type	N/C or N/O contacts (change-over contacts)	
	Max. switching voltage	230 V	
	Electrical connection	plug connection PG 11 socket to DIN 43650	
	Max. switching output at resistive load	60 W = 100 VA ~	
	Switching capacity	ohmic 3 A at 24 V = ohmic 0.03 to 5 A at max. 230 V ~	
	Protection class to DIN 40050	IP 65 (only if the plug is wired and fitted correctly)	
Order example	VM 5 C.0		

VD x C.x

 	Type of indication	electrical switch	
	Weight	220 g	
	Pressure setting / indication range	5 bar - 10% 8 bar ± 10%	
	Permiss. operating pressure	420 bar	
	Permiss. temperature range	-30 °C to +100 °C	
	Connection thread	G ½	
	Max. torque	100 Nm	
	Switching type	N/C or N/O contacts contacts (change-over contacts)	
	Max. switching voltage	230 V	
	Electrical connection	plug connection PG 11 socket to DIN 43650	
	Max. switching output at resistive load	60 W = 100 VA ~	
	Switching capacity	ohmic 3 A at 24 V = ohmic 0.03 to 5 A at max. 230 V ~	
	Protection class to DIN 40050	IP 65 (only if the plug is wired and fitted correctly)	
Order example	VD 5 C.0		