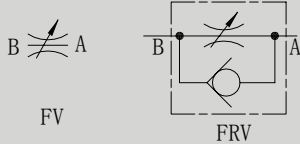


FV/FRV SERIES THROTTLE VALVES/THROTTLE CHECK VALVES



SYMBOL

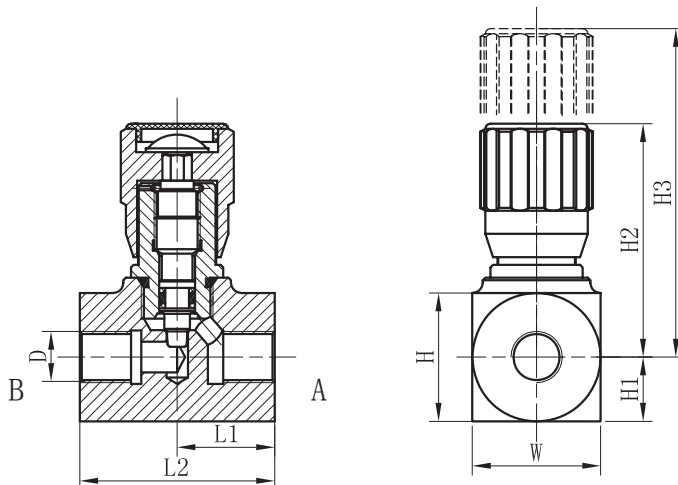


FV/FRV; FVP/FRVP series throttle check valves are used to regulate the speed of actuators simply and precisely.

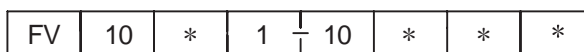
▶ Technical data

Size		6	8	10	12	16	20	25	30
Operating pressure(Mpa)		35	35	35	35	35	35	35	35
Flow rate(L/min)		16	24	35	45	60	100	150	210
Inch		G1/8"	G1/4"	G3/8"	G1/2"	G3/4"	G1"	G1 1/4"	G1 1/2"
Metric		M10 x 1	M14 x 1.5	M18 x 1.5	M22 x 1.5	M27 x 2	M33 x 2	M42 x 2	M48 x 2
Cracking pressure of check valve		0.05MPa							
Pipeline type panel connection		M12 x 1.5	M18 x 1.5	M18 x 1.5	M22 x 1.5	M22 x 1.5	M33 x 1.5	M36 x 1.5	M36 x 1.5
Weight(KGS)	FV	0.4	0.3	0.5	0.8	1.1	2.3	4.4	3.8
	FRV	0.4	0.3	0.5	0.8	1.1	2.3	4.4	5.3
	FVP	0.25	0.7	1	1.2	2.5	4.3	8.3	11.2
	FRVP	0.26	0.7	1	1.4	2.7	4.7	8.8	12.2
Valve body (Material) Surface treatment	FV/FRV	STEEL BODY SURFACE Color zinc plating							
	FVP/FRVP	Steel Body Surface Black Oxide							
Oil cleanliness		NAS1638 class 9 and ISO4406 class 20/18/15							

FV/FRV Unit Dimensions



Size	D		W x H	H1	H2	H3	L1		L2	
							FV	FRV	FV	FRV
6	G1/8"	M10X1	16X16	8	50	55	19	26	38	45
8	G1/4"	M14X1.5	33X28	12.5	69.5	76.5	32.5	40	63.5	63.5
10	G3/8"	M18X1.5	35X37	15	82	89	32.5	41	65	70
12	G1/2"	M22X1.5	35X37	17.5	84	94	44	44	73	73
16	G3/4"	M27X2	45X50	22.5	91	101	44	57	88	88
20	G1"	M33X2	56X56	26	129	146	49	79	98	127
25	G1 1/4"	M42X2	63X63	30	135	152	54	91	108	143
30	G1 1/2"	M48X2	73X73	35	140	157	54	91	108	143



FV=Throttle shut-off valve
FRV=Throttle check shut-off valve

Size:6,10,12,16,20,25,30,40

No code=Threaded connection
S=Subplate mounting

For further details

No code=Inch;
2=Metric

No code=NBR seals
V=FPM seals

Series number

1=Steel