

## DESCRIPTION

A solenoid operated, 2-way, 2-position, normally closed,

## OPERATION

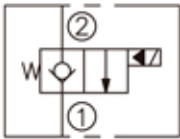
When de-energized, the valve acts as a check valve, allowing flow from ① to ②, while blocking flow from ② to ①.

When energized, the poppet lifts to open the ② to ① flow path.

### Operation of Manual Override Option

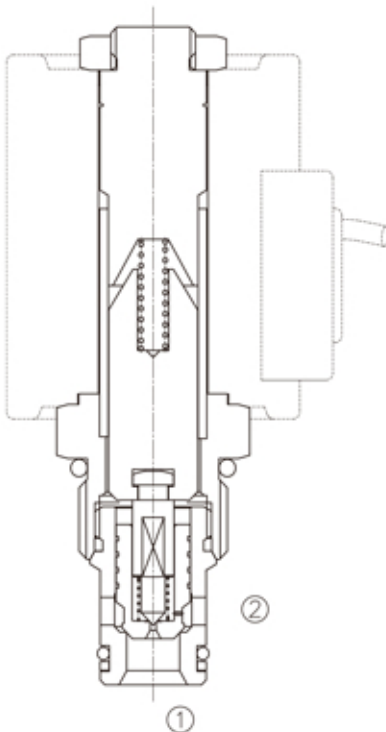
To override, push button in, twist counterclockwise 180° and release. In this position, the valve will remain open in a detented condition. To return to normal operation, push button in, twist clockwise 180° and release. Override will be detented in this position.

## SYMBOL

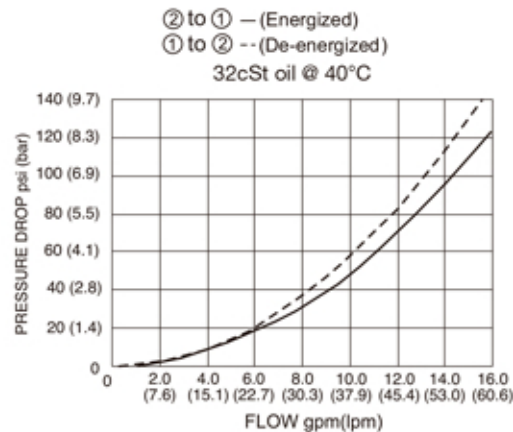


## SPECIFICATIONS

(Max. Operating Pressure):	207bar
(Flow):	See PRESSURE DROP VS.FLOW graph.
(Internal Leakage):	3 drops/min max. at 207bar
(Temperature):	-40°F to +212°F (-40°C to +100°C)
(Coil Duty Rating):	Continuous from 85% to 115% of nominal voltage
(Filtration):	See page N-1
(Fluids):	Mineral-based fluids with viscosities of 7.4 to 420 cSt.
(Cavity):	10-2, See page M-2
(Body Material):	6061-T6 aluminum alloy rated to 207bar, Steel & Ductile iron rated to 350bar



## PRESSURE DROP VS.FLOW



## LSV2 - 10 - 2 NC P - \* - \* \* - \* \*



<p><b>1</b> LSV2= Solenoid Valve</p> <hr/> <p><b>2</b> Size 10=10</p> <hr/> <p><b>3</b> Flow Path 2=</p> <hr/> <p><b>4</b> NC= Normally Closed</p> <hr/> <p><b>5</b> P= Poppet</p> <hr/> <p><b>6</b> Blank= None M= Manual Override</p>	<p><b>7</b> Voltage 1=12 VDC 2=24 VDC 3=110 VAC 4=220 VAC 5=10 VDC</p> <hr/> <p><b>8</b> Coil Connection D= Double Lead S= Single Lead H= Hirschmann C= Conduit ER= Deutsch Connector(Water-proof Coil) B= Double Spade</p>	<p><b>9</b> Body Porting Blank = None 6T=SAE 6 8T=SAE 8 3G=G 3/8 4G=G 1/2</p> <hr/> <p>Other Porting Is Available</p>
---	---	---

### INSTALLATION DIMENSIONS

Coil Must Be Installed With Letter Up

Unit=Millimeters

