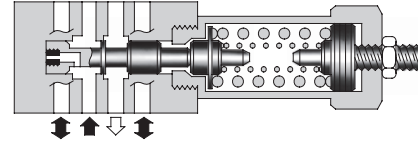


## 1/8, Relief Valves

For "P" Line: **MBP-01-\* -30/3090**  
 For "A" Line: **MBA-01-\* -30/3090**  
 For "B" Line: **MBB-01-\* -30/3090**

### Specifications / Others



### Specifications

Model Numbers	Max. Operating Pressure MPa (PSI)	Max. Flow L/min (U.S.GPM)
MBP-01-* -30/3090 MBA-01-* -30/3090 MBB-01-* -30/3090	21 (3050)	35 (9.25)

### Model Number Designation

F-	MBP	-01	-C	-30	*
Special Seals	Series Number	Valve Size	Pres. Adj. Range MPa (PSI)	Design Number	Design Standard
<b>F:</b> Special Seals for Phosphate Ester Type Fluids (Omit if not required)	<b>MBP:</b> Relief Valve for P-Line <b>MBA:</b> Relief Valve for A-Line <b>MBB:</b> Relief Valve for B-Line	<b>01</b>	<b>C:</b> *-14 <sup>★1</sup> (*-2030) <b>H:</b> 7-21 (1020-3050)	<b>30</b>	Refer to <sup>★2</sup>

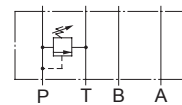
★ 1. See the "Minimum Adjustment Pressure" of the next page for the item marked \*.

★ 2. Design Standards: None ..... Japanese Standard "JIS" and European Design Standard  
 90 ..... N. American Design Standard

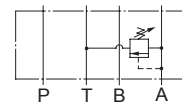
### Instructions

- The minimum adjustment pressure equals the value obtained from the minimum adjustment pressure characteristics plus the tank line back pressure of the next page. This back pressure should include the value of the T-line pressure drop characteristics of the valves stacked to the base plate side of the modular valve.
- To make pressure adjustment, loosen the lock nut and turn the pressure adjustment screw clockwise or anti-clockwise. For an increase of pressure, turn the screw clockwise. Be sure to re-tighten the lock nut firmly after making adjustment to the pressure.
- In case of a small flow, the setting pressure may become unstable. To avoid this, refer to the minimum flow characteristic curve of the next page and use the valve within a range as shown with   .

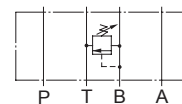
### Graphic Symbols



MBP-01

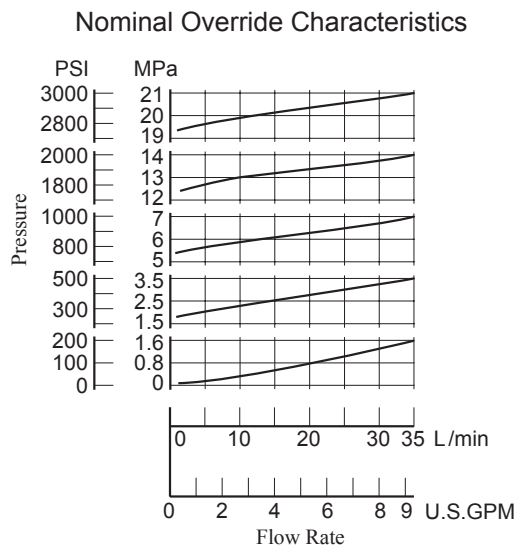
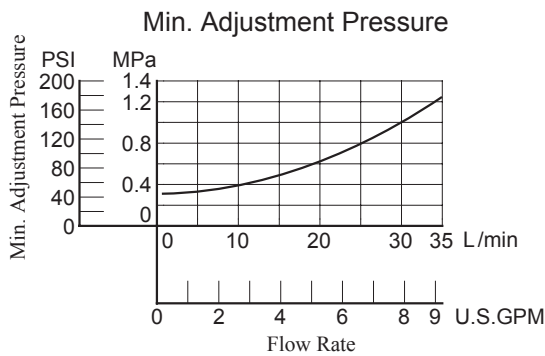
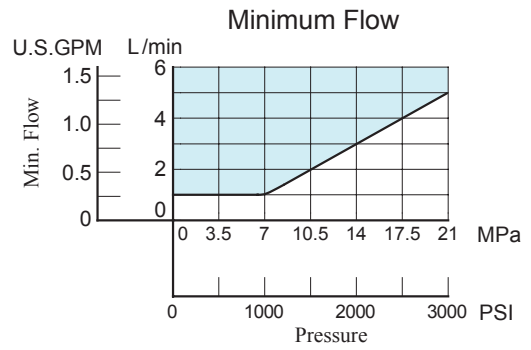
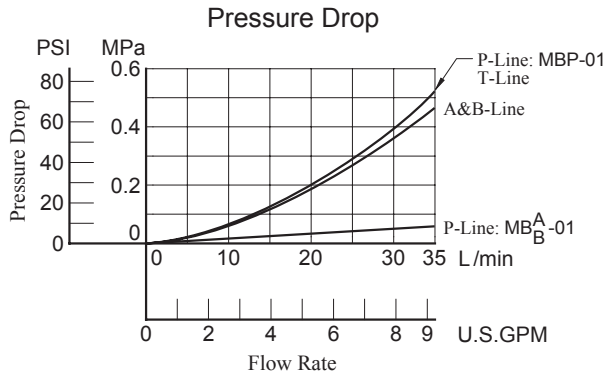


MBA-01

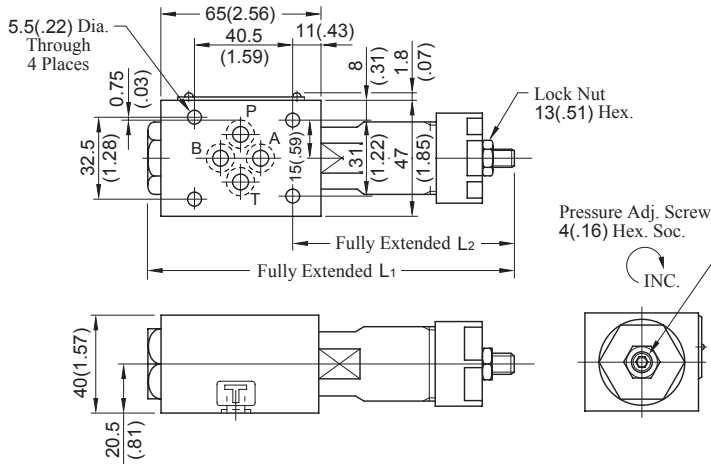


MBB-01

Hydraulic Fluid: Viscosity 35 mm<sup>2</sup>/s (164 SSU), Specific Gravity 0.850



MBP-01-\* -30/3090  
MBB-01-\* -30/3090

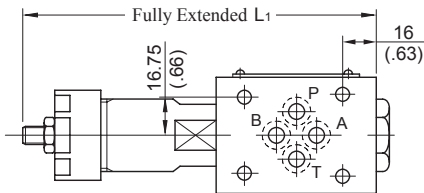


Model No.	L <sub>1</sub>	L <sub>2</sub>
MB*-01-C	151 (5.94)	92 (3.62)
MB*-01-H	166.5 (6.56)	107.5 (4.23)

Approx. Mass..... 1.1 kg (2.4 lbs.)

DIMENSIONS IN  
MILLIMETRES (INCHES)

MBA-01-\* -30/3090

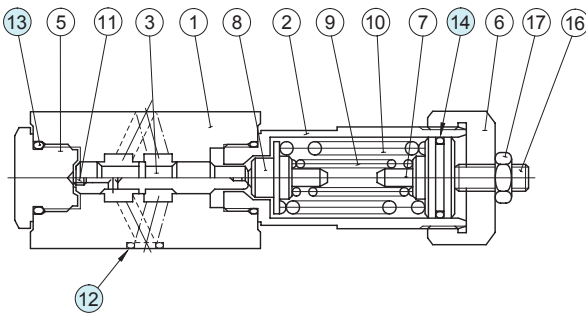


Approx. Mass..... 1.1 kg (2.4 lbs.)

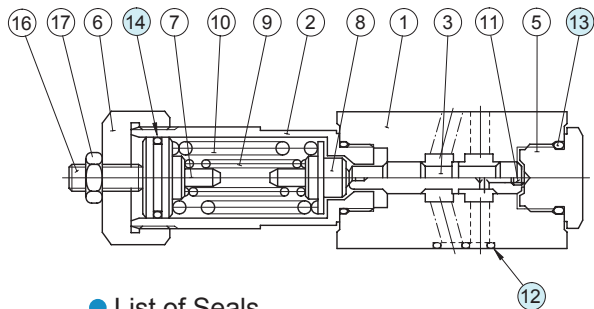
• For other dimensions, refer to above (MBP-01) drawing.

### ■ Spare Parts List

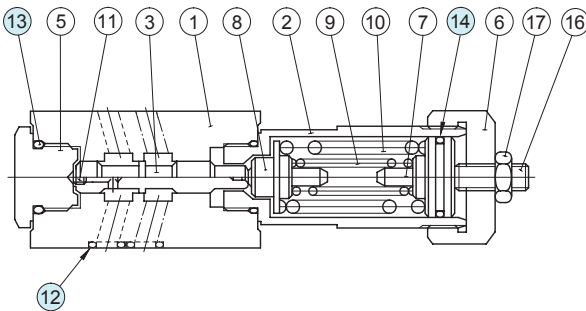
MBP-01-\* -30/3090



MBA-01-\* -30/3090



MBB-01-\* -30/3090



#### ● List of Seals

Item	Name of Parts	Part Numbers	Qty.
12	O-Ring	SO-NB-P9	4
13	O-Ring	SO-NB-P18	2
14	O-Ring	SO-NA-P20	1

Note: When ordering seals, please specify the seal kit number from the table below.

#### ● List of Seal Kit

Model No.	Seal kit No.
MBP-01	KS-MBP-01-30
MBA-01	
MBB-01	

### ⚠ CAUTION

When making replacement of seals, please do it carefully after reading through the relevant instructions in the Operator's Manual.