

DESCRIPTION

A solenoid operated, 3-way, 2-position, poppet-type cartridge valve.

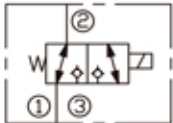
OPERATION

When de-energized, the valve allows flow from ② to ①, while blocking flow at ③. When energized, the valve allows flow from ② to ③, while blocking flow at ①.

Operation of Manual Override Option

To override, push button in to activate. To return to normal valve function, release button.

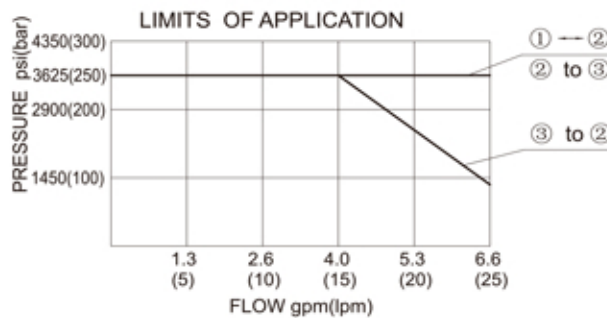
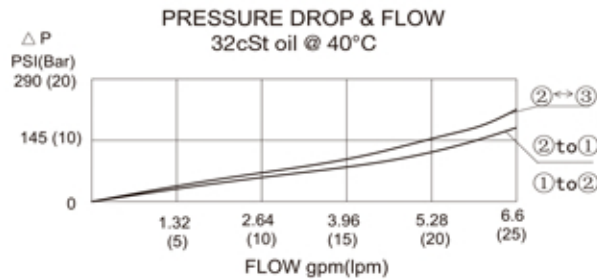
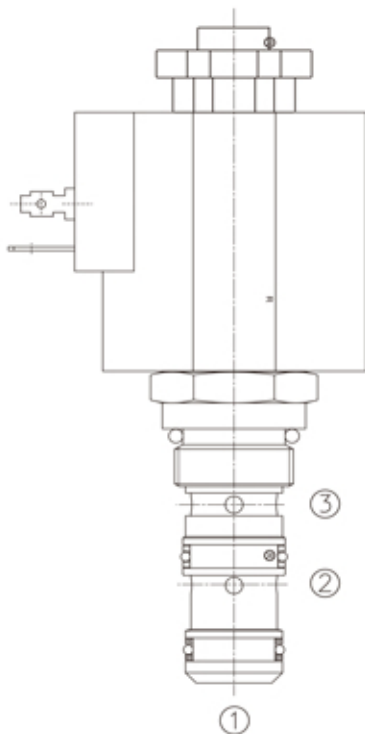
SYMBOL



SPECIFICATIONS

(Operating Pressure):	250bar
(Flow):	See PERFORMANCE CHARACTERISTIC graph.
(Internal Leakage):	<1 drops/min. Our ideal leakage: <0.05 drops/min
(Temperature):	-40°F to +212°F(-40°C to +100°C)
(Coil Duty Rating):	Continuous from 85% to 115% of nominal voltage
(Filtration):	See page N-1
(Fluids):	Mineral-based fluids with viscosities of 7.4 to 420 cSt.
(Cavity):	10-3, See page M-2
(Body Material):	6061-T6 aluminum alloy rated to 207bar, Steel & Ductile iron rated to 350bar

PRESSURE DROP VS.FLOW



LSV - 10 - 3 - L - * - * * - * *

1 2 3 4 5 6 7 8

1 LSV= Solenoid Valve	6 Voltage 1=12 VDC 2=24 VDC 3=110 VAC 4=220 VAC	8 Body Porting Blank = None 6T=SAE6 8T=SAE8 2G=G 1/4 3G=G 3/8
2 Size 10=10	7 Coil Connection D= Double Lead H= Hirschmann S= Single Lead ER= Deutsch Connector(Water-proof Coil) B= Double Spade	Other Porting Is Available
3 Flow Path 3=		
4 L= Zero Leakage		
5 Blank = None M= Manual Override		

INSTALLATION DIMENSIONS

Coil Must Be Installed With Letter Up

Unit=Millimeters

