

## DESCRIPTION

A solenoid operated, 2-way, 2-position, normally closed, poppet-type bi-directional cartridge valve.

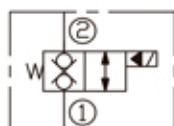
## OPERATION

When de-energized, the valve blocks flow in both directions. When energized, the poppet shifts to allow flow in either direction.

### Operation of Manual Override Option

To override, push button in, twist counterclockwise 180° and release. In this position, the valve will remain open in a detented condition. To return to normal operation, push button in, twist clockwise 180° and release. Override will be detented in this position.

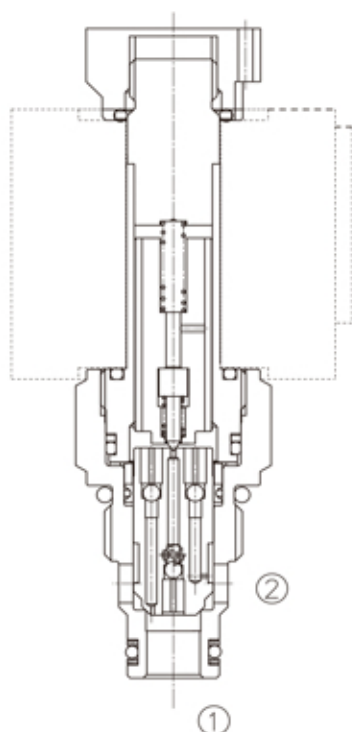
## SYMBOL



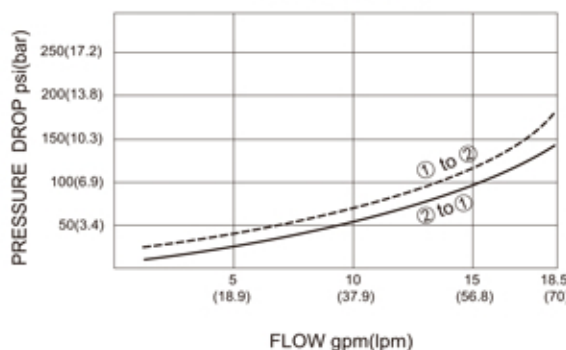
## SPECIFICATIONS

(Max. Operating Pressure):	350bar
(Flow):	See PRESSURE DROP VS.FLOW graph.
(Internal Leakage):	5 drops/min. max. at 350 bar
(Temperature):	-40°F to +212°F(-40°C to +100°C)
(Coil Duty Rating):	Continuous from 85% to 115% of nominal voltage
(Filtration):	See page N-1
(Fluids):	Mineral-based fluids with viscosities of 7.4 to 420 cSt.
(Cavity):	10-2, See page M-2
(Body Material):	Steel & Ductile iron rated to 350bar

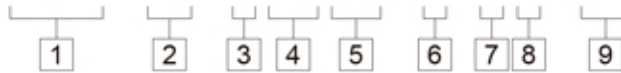
## PRESSURE DROP VS.FLOW



② to ① — (Energized)  
 ① to ② -- (De-energized)  
 32cSt oil @ 40°C



**LSV6 – 10 – 2 NC SP – \* – \* \* – \* \***



- |                                                                                                                                                                                                   |                                                                                                                                                                                                                                                                     |                                                                                                                |
|---------------------------------------------------------------------------------------------------------------------------------------------------------------------------------------------------|---------------------------------------------------------------------------------------------------------------------------------------------------------------------------------------------------------------------------------------------------------------------|----------------------------------------------------------------------------------------------------------------|
| <p><b>1</b> LSV6= Solenoid Valve</p> <hr/> <p><b>2</b> Size<br/>10=10</p> <hr/> <p><b>3</b> Flow Path<br/>2=</p> <hr/> <p><b>4</b> NC= Normally Closed</p> <hr/> <p><b>5</b> SP= Poppet</p> <hr/> | <p><b>6</b> Blank= None<br/>M= Manual Override</p> <hr/> <p><b>7</b> Voltage<br/>1=12 VDC<br/>2=24 VDC<br/>3=110 VAC<br/>4=220 VAC</p> <hr/> <p><b>8</b> Coil Connection<br/>D= Double Lead<br/>H= Hirschmann<br/>ER= Deutsch Connector(Water-proof Coil)</p> <hr/> | <p><b>9</b> Body Porting<br/>Blank= None<br/>8T=SAE 8<br/>4G=G 1/2</p> <hr/> <p>Other Porting Is Available</p> |
|---------------------------------------------------------------------------------------------------------------------------------------------------------------------------------------------------|---------------------------------------------------------------------------------------------------------------------------------------------------------------------------------------------------------------------------------------------------------------------|----------------------------------------------------------------------------------------------------------------|

**INSTALLATION DIMENSIONS**

Coil Must Be Installed With Letter Up

Unit=Millimeters

