

DWMG SERIES MANUALLY OPERATED DIRECTIONAL VALVES

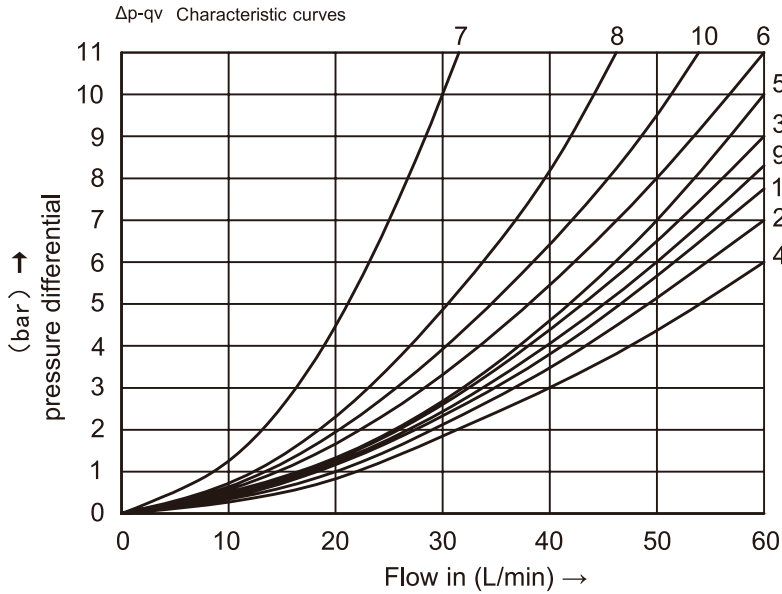


DWMG series manually operated directional valves are direct type directional valves ,It can control the start ,stop & direction of fluid flow. This series with detent or return spring are available.

▶ Technical data

Size	6	10	16	22	25	32
Flow rate(L/min)	60	100	300	450	650	1100
Operating pressure(Mpa)	A、 B、 P oil ports 31.5 T oil ports16					
Weight(KGS)	1.5	4.4	8.9	12.5	19.4	39.2
Valve body (Material) Surface treatment	casting phosphating surface					
Oil cleanliness	NAS1638 class 9 and ISO4406 class 20/18/15					

► Characteristic curves DWMG6

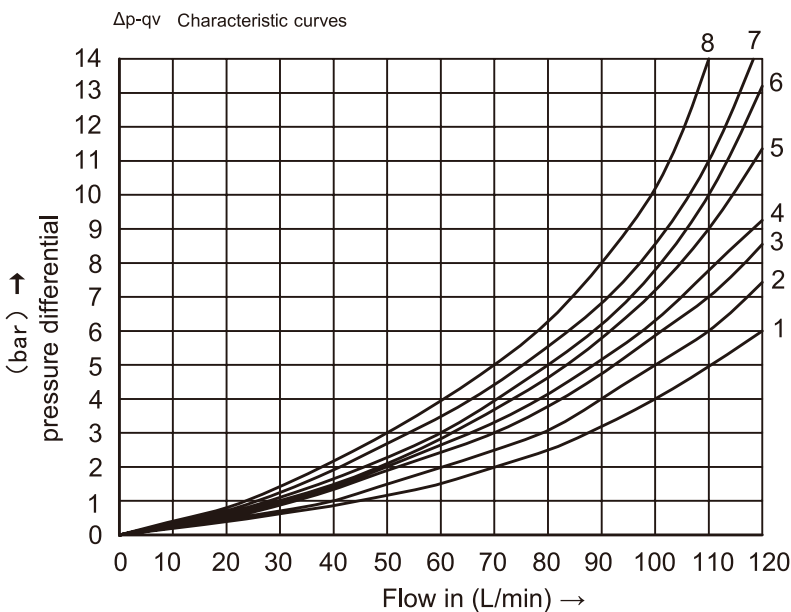


7 Symbol "R" in spool position "b" (A → B)

8 Symbols "G" and "T" in central position (P → T)

Spool symbol	Spool position			
	P-A	P-B	A-T	B-T
A	3	3	—	—
B	3	3	—	—
C	1	1	3	1
D	5	5	3	3
E	3	3	1	1
F	1	3	1	1
G	6	6	9	9
H	2	4	2	2
J	1	1	2	1
L	3	3	4	9
M	2	4	3	3
P	3	1	1	1
Q	1	1	2	1
R	5	5	4	—
T	10	10	9	9
U	3	3	9	4
V	1	2	1	1
W	1	1	2	2
Y	5	5	3	3

► Characteristic curves DWMG10

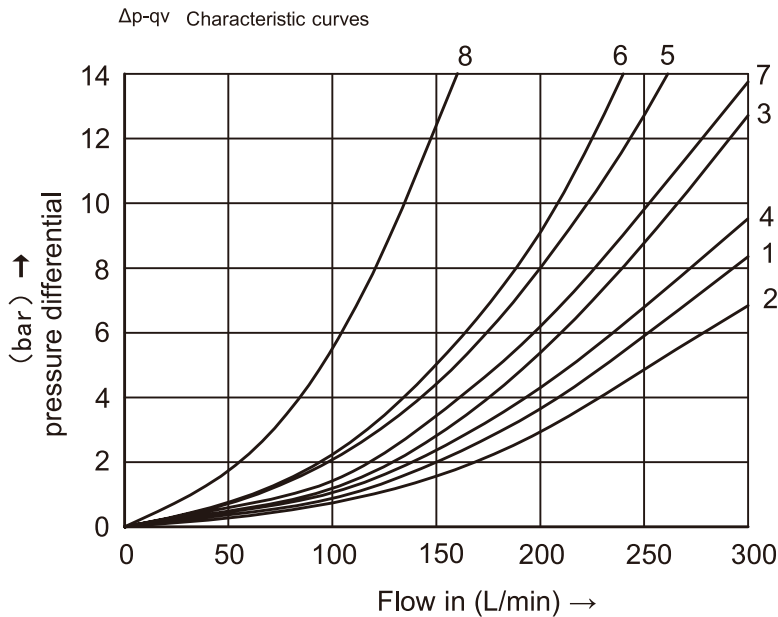


8 Symbol "R" in spool position "b" (A → B)

8 Symbols "G" and "T" in central position (P → T)

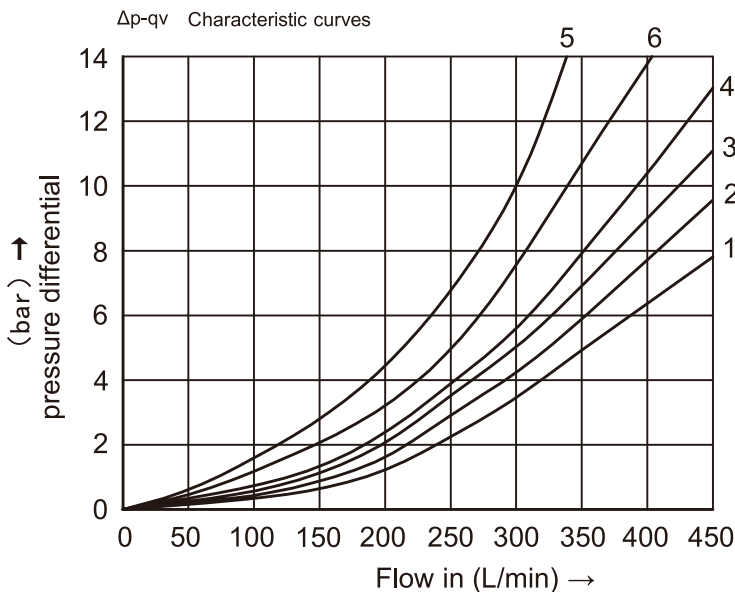
Spool symbol	Spool position			
	P-A	P-B	A-T	B-T
A	4	3	—	—
B	3	4	—	—
C	3	3	4	4
D	3	3	5	5
Y	4	4	6	6
E	2	2	4	4
F	1	2	3	4
G,T	4	4	7	7
H	1	1	5	5
J	2	2	3	3
L	3	3	2	4
M	1	1	4	4
P	3	1	5	5
Q	2	2	2	2
R	3	4	3	—
U	3	3	5	2
V	2	2	3	3
W	3	3	3	3

▶ Characteristic curves DWMG16



Spool symbol	Spool position				
	P-A	P-B	A-T	B-T	P-T
E,D,Y	1	1	3	3	–
F	2	2	3	3	–
G,T	5	1	3	7	6
H,C,Q	2	2	3	3	–
V,Z	2	2	3	3	–
J,K,L	1	1	3	3	–
M,W	2	2	4	3	–
R	2	2	4	–	–
U	1	1	4	7	–
S	4	4	4	–	8

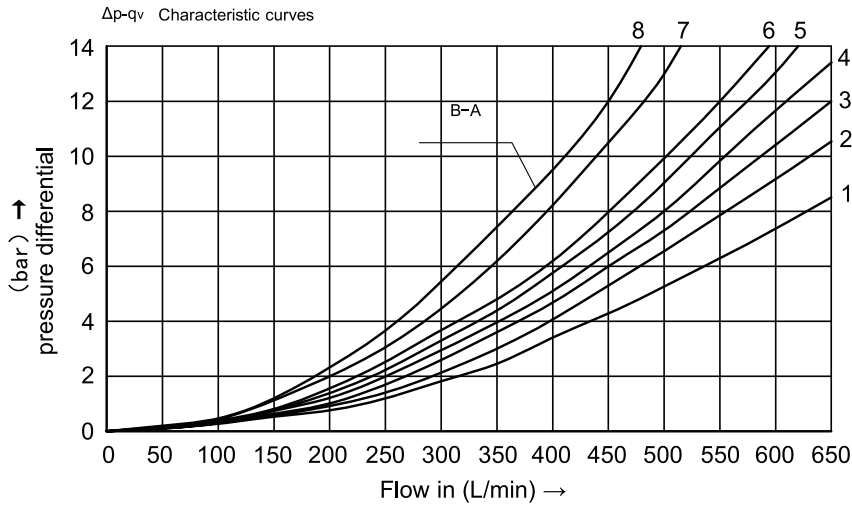
▶ Characteristic curves DWMG22



Spool symbol	Spool position					
	P-A	P-B	A-T	B-T	P-T	B-A
E	2	2	1	4	–	–
F	1	2	1	2	4	–
G	2	2	2	4	6	–
H	2	2	1	3	2	–
J	2	2	1	3	–	–
L	2	2	1	2	–	–
M	2	2	1	4	–	–
P	2	2	1	4	6	–
Q	2	2	1	4	–	–
R	1	2	1	–	–	5
T	2	2	2	4	5	–
U	2	2	1	4	–	–
V	2	2	1	4	–	–
W	2	2	1	3	–	–

- 4 Spool symbol L
Central position A – T
- 6 Spool symbol U
Central position B – T

► Characteristic curves 4DWMG25

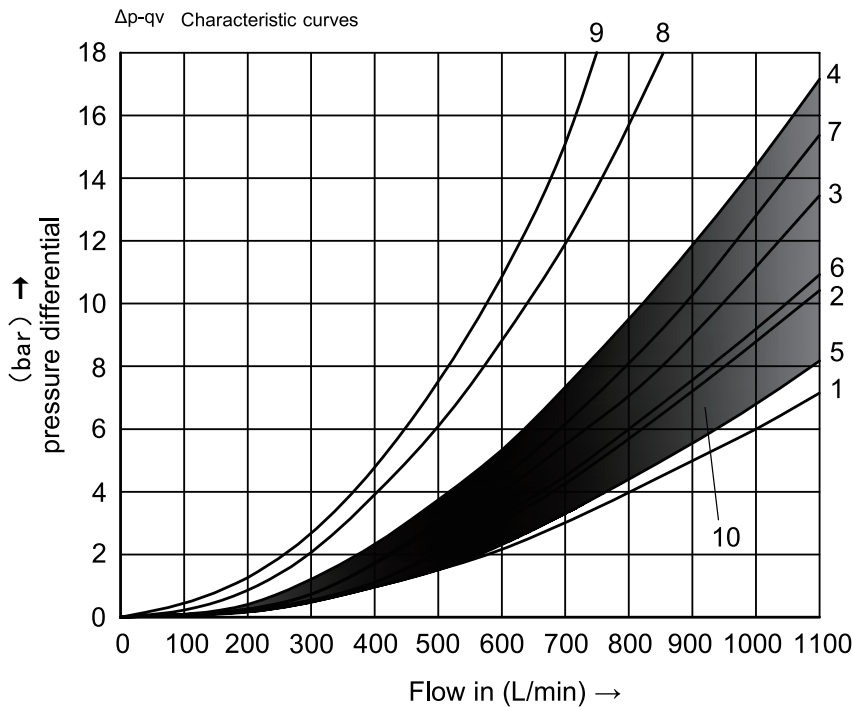


Spool symbol	Spool position			
	P-A	P-B	A-T	B-T
E	1	1	1	3
F	1	4	3	3
G	3	1	2	4
H	4	4	3	4
J,Q	2	2	3	5
L	2	2	3	3
M	4	4	1	4

Spool symbol	Spool position			
	P-A	P-B	A-T	B-T
P	4	1	1	5
R	2	1	1	-
U	4	1	1	6
V	2	4	3	6
W	1	1	1	3
T	3	1	2	4

- 7 Spool symbols G
Central position P-T
- 8 Spool symbols T
Central position P-T

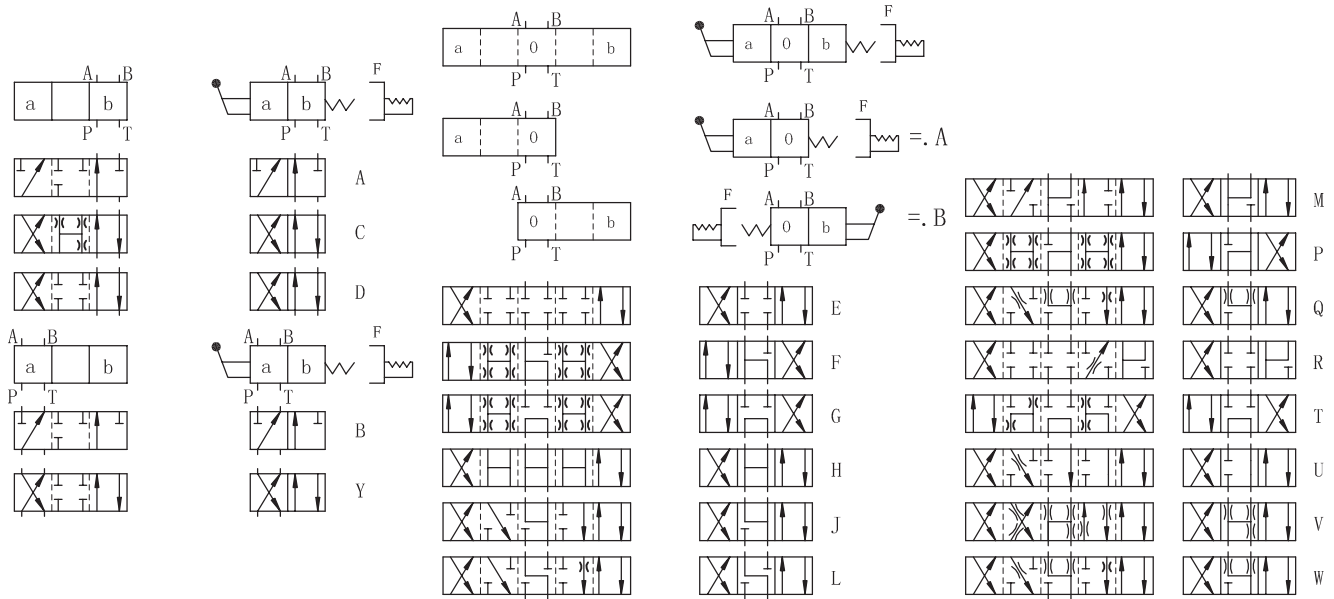
► Characteristic curves 4DWMG32



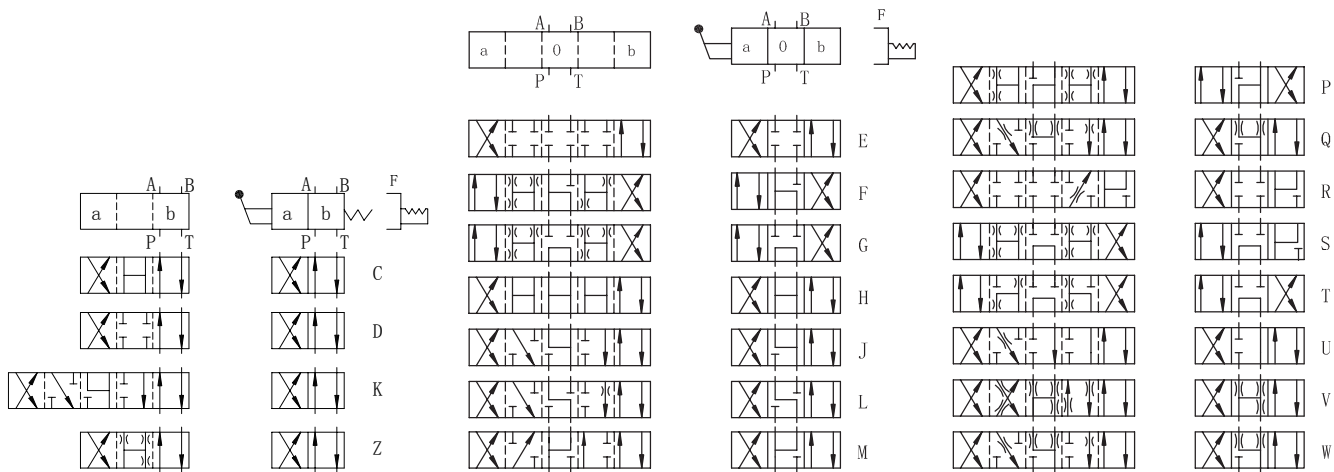
Spool symbol	Spool position					
	P-A	P-B	A-T	B-T	P-T	B-A
E	1	1	2	3	-	-
G	6	5	6	7	7	-
R	1	1	2	-	-	4
S	-	-	-	-	9	8
T	6	5	6	7	7	-
W	1	1	2	3	-	4

- 10 All other spool symbols

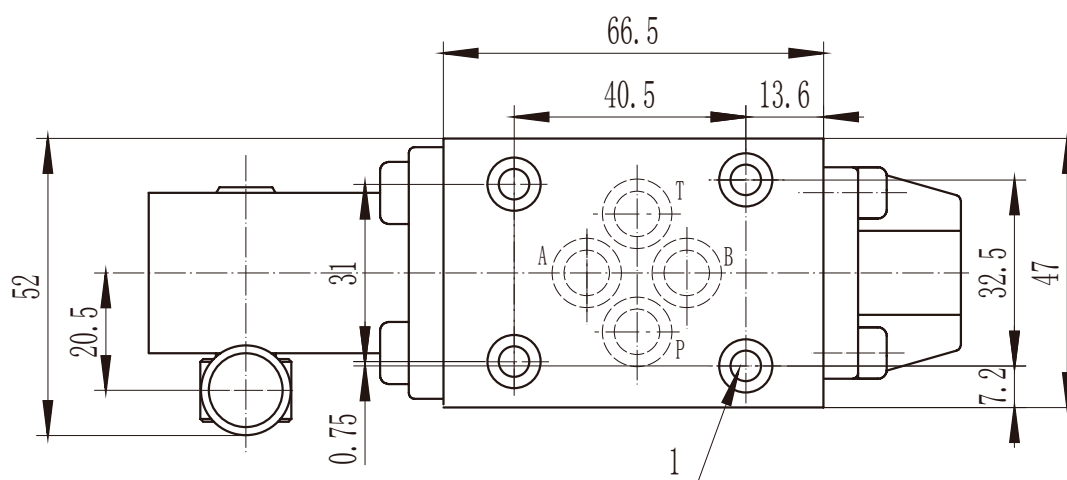
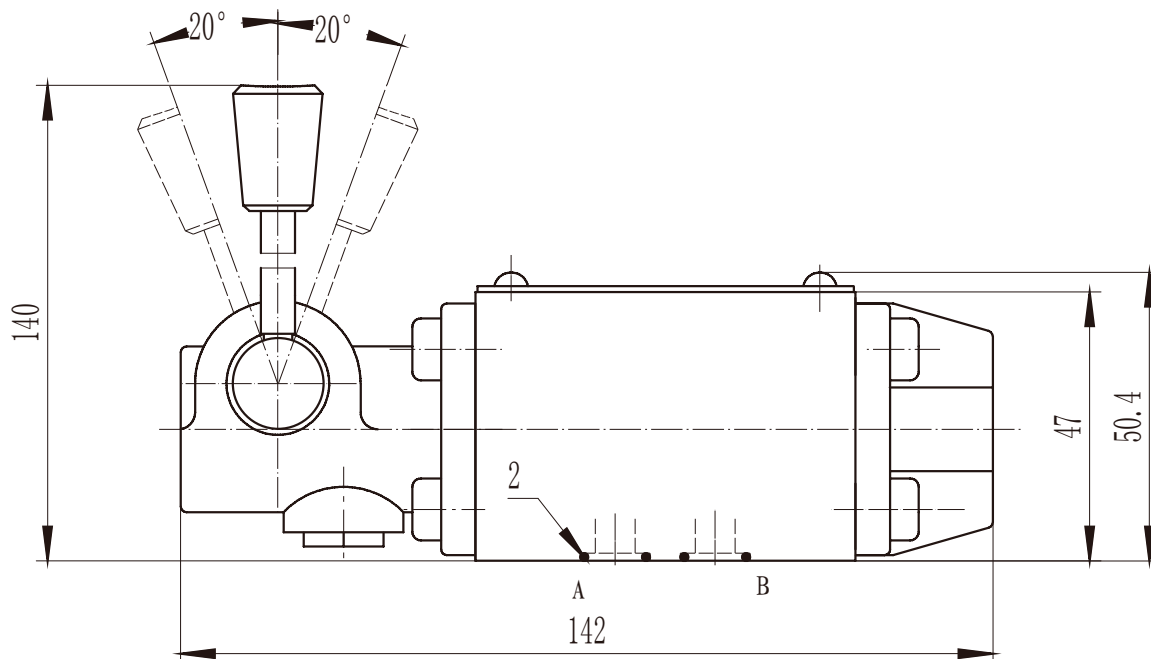
► DWMG6/10 Spool symbols



► DWMG16/22/25/32 Spool symbols

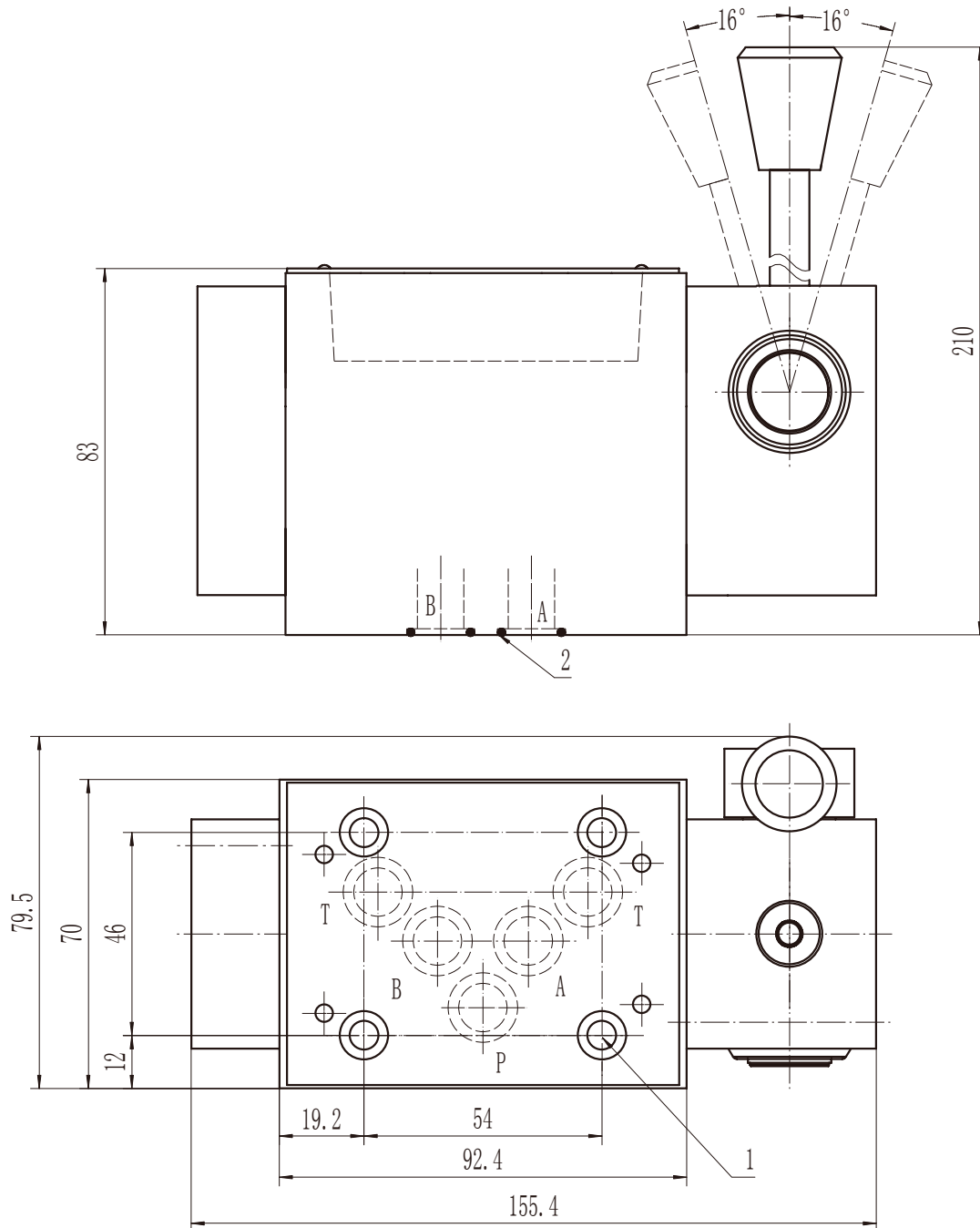


► DWMG6 Subplate Installation Dimensions



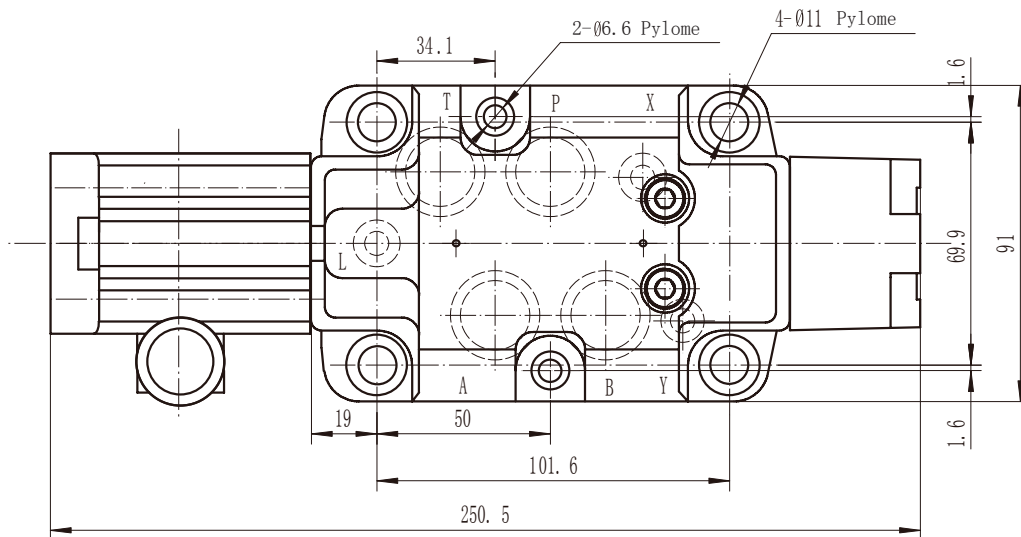
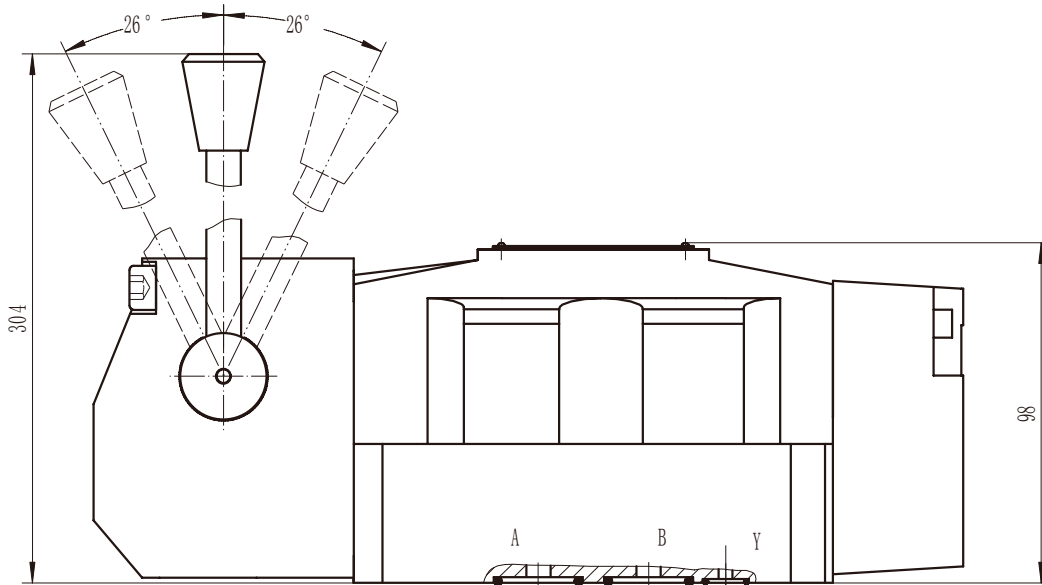
- 1. Valve' s set screw
- 4 of M5 × 50 GB/T70.1–12.9
- Tightening torque Ma=9Nm.
- 2. O-ring φ 12.3 × 1.9

► DWMG10 Subplate Installation Dimensions



- 1. Valve's set screw
4 of M6 × 50 GB/T70.1-12.9
Tightening torque $M_a=15.5\text{Nm}$.
- 2. O-ring $\phi 16 \times 1.9$

► DWMG16 Subplate Installation Dimensions



Valve' s set screw

4 of M10 × 60 GB/T70.1–12.9 Tightening torque Ma=75Nm.

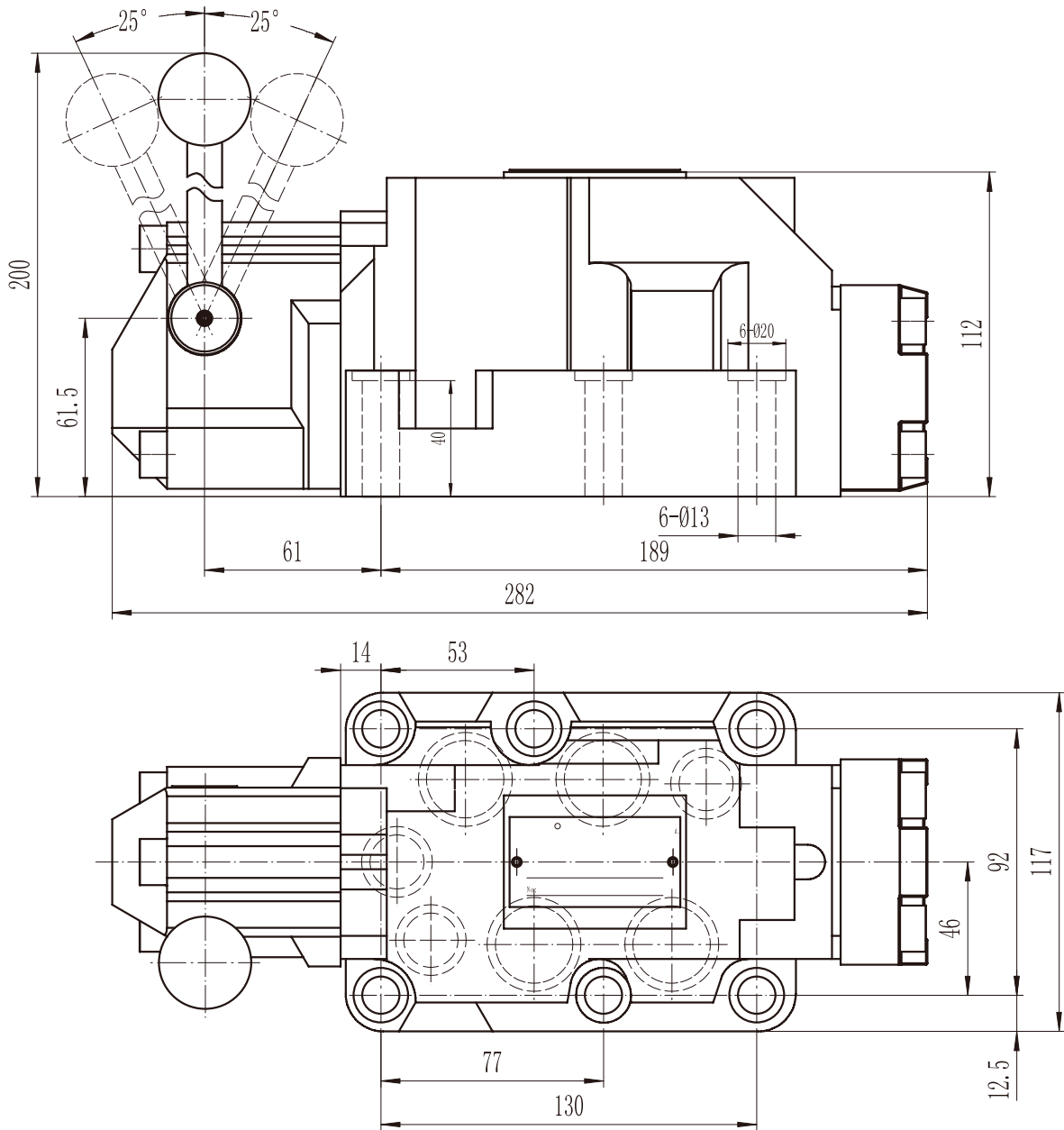
2 of M6 × 60 GB/T70.1–12.9 Tightening torque Ma=15.5Nm.

O–ring for P.T.A.B Port: φ 26 × 2.4

O–ring for X.Y.L Port: φ 15 × 1.9

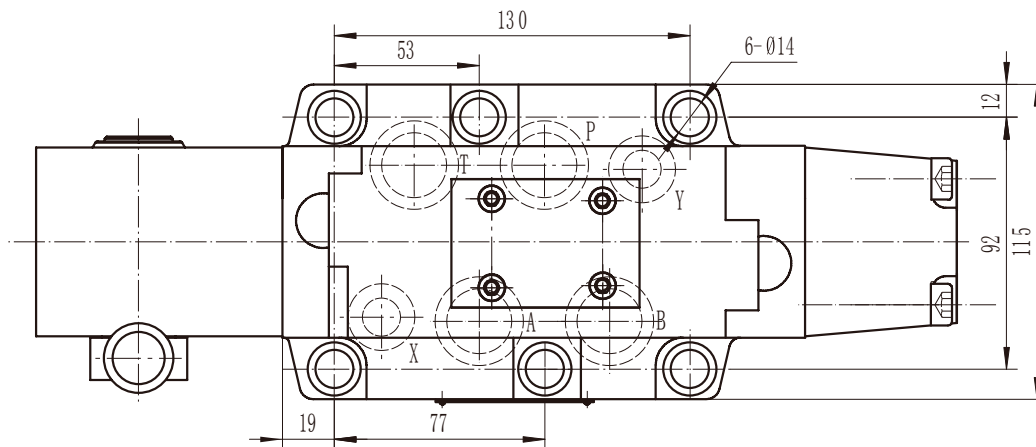
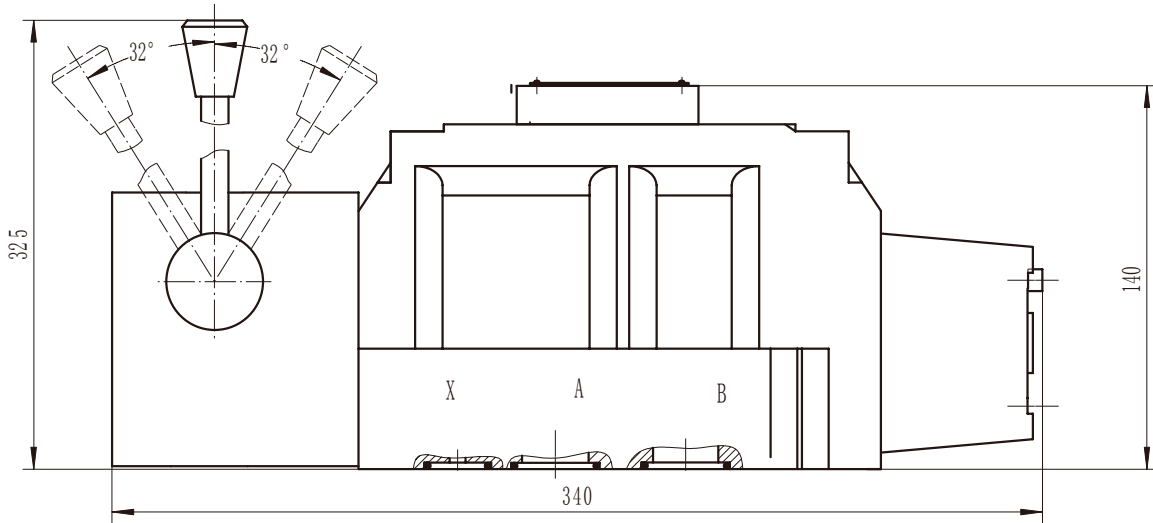
► DWMG22 Subplate Installation Dimensions

Catalogue 2019



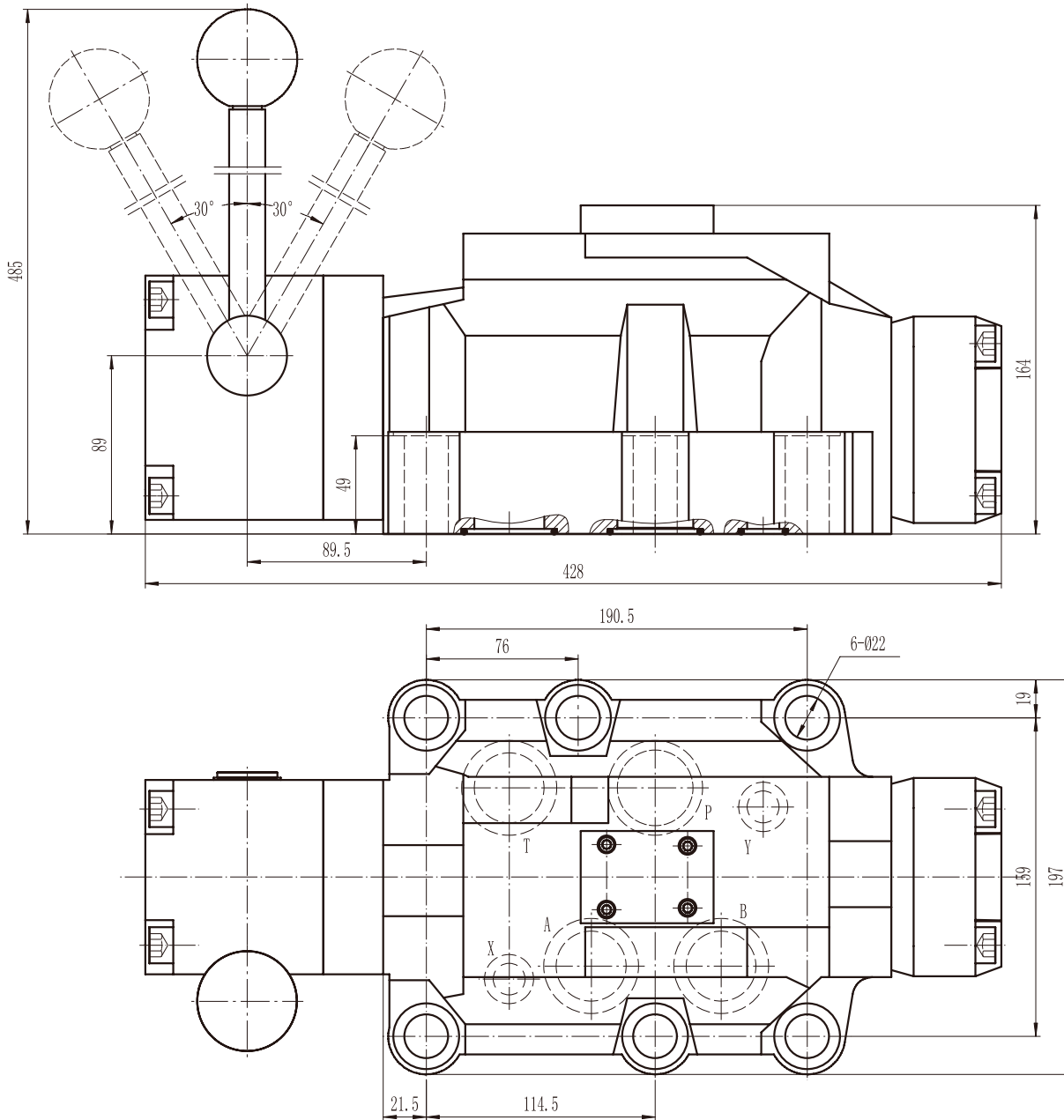
Valve's set screw
 6 of M12 × 60 GB/T70.1–2000–12.9 Tightening torque Ma=130Nm.
 O-ring for P.T.A.B Port: φ 31 × 3.1
 O-ring for X.Y Port: φ 25 × 3.1

► DWMG25 Subplate Installation Dimensions



Valve' s set screw
 6 of M12 x 60 GB/T70.1-12.9 Tightening torque Ma=130Nm.
 O-ring for P.T.A.B Port: $\phi 34 \times 3.1$
 O-ring for X.Y Port: $\phi 25 \times 3.1$

► DWMG32 Subplate Installation Dimensions



Valve's set screw

6 of M20 x 80 GB/T70.1-2000-12.9 Tightening torque Ma=430Nm.

O-ring for P.T.A.B Port: ϕ 42 x 3

O-ring for X.Y Port: ϕ 18.5 x 3.1

