

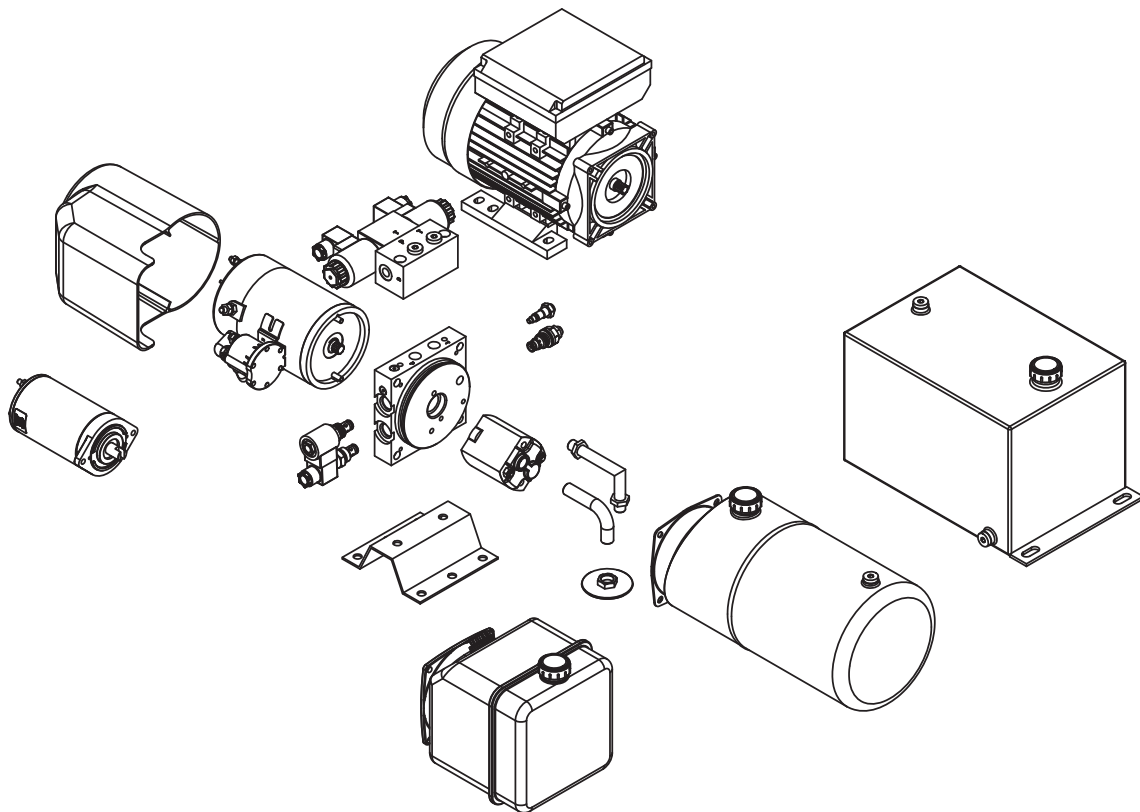
# 2019 EDITION



## Hydraulic Power Units

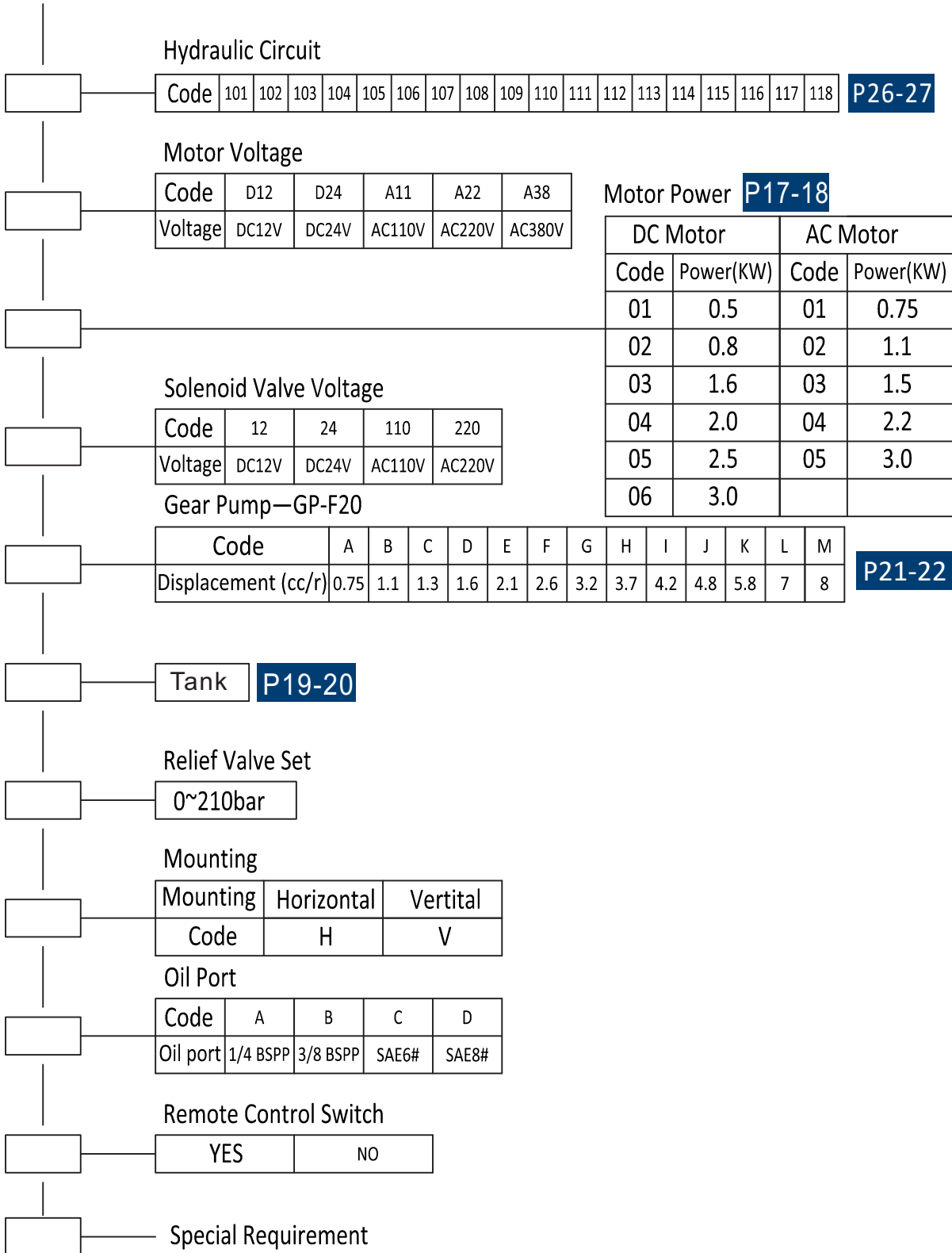
**Contents**

- How to order Hydraulic Power Unit...../1
- Central Manifold...../2
- Hydraulic Lift Valve...../8
- Custom Manifolds...../9
- Stacking Manifold Block...../10
- Cartridge Valve...../11
- Cartridge Hand Pump...../15
- Stacked Valve...../16
- Motor...../17
- Tank...../19
- Gear Pump...../21
- Accessories...../23
- Hydraulic Circuit...../26
- Hydraulic Power Unit...../28

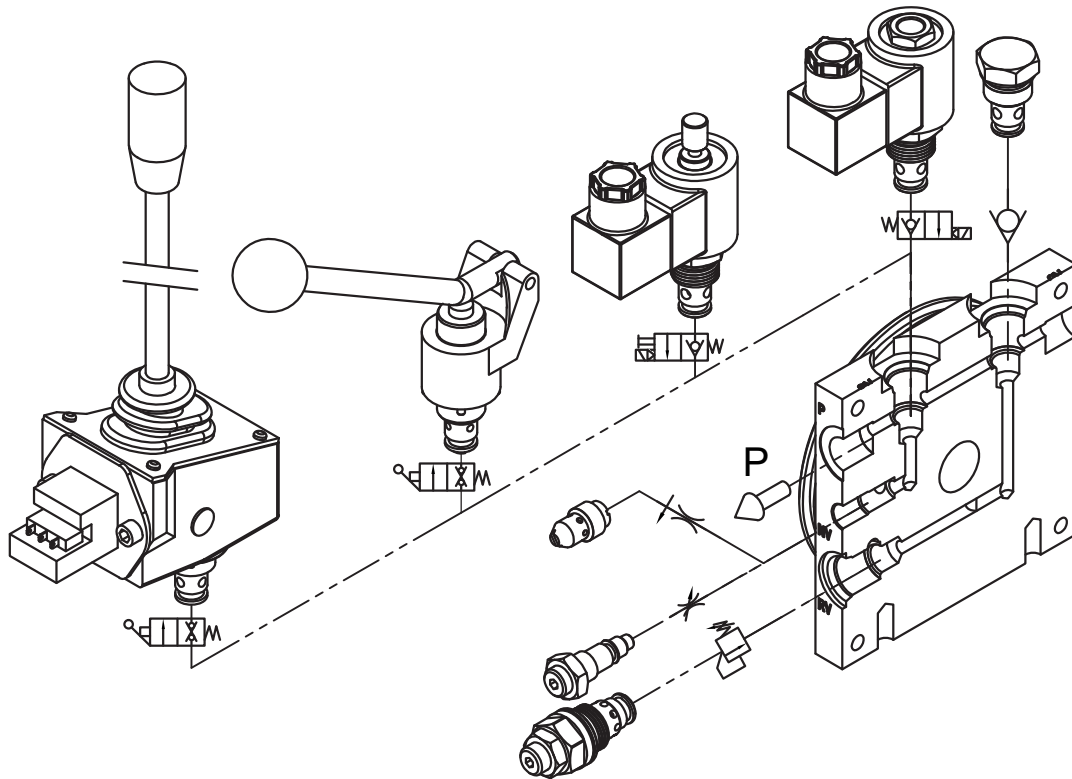


# How to order Hydraulic Power Unit

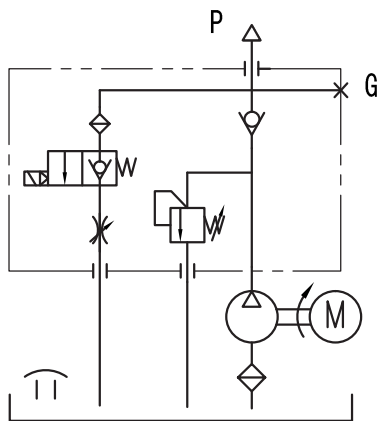
## TGT



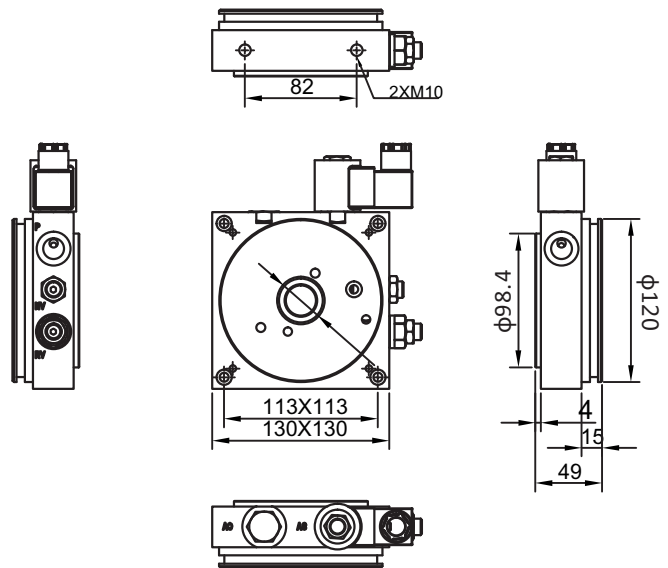
# Central Manifold



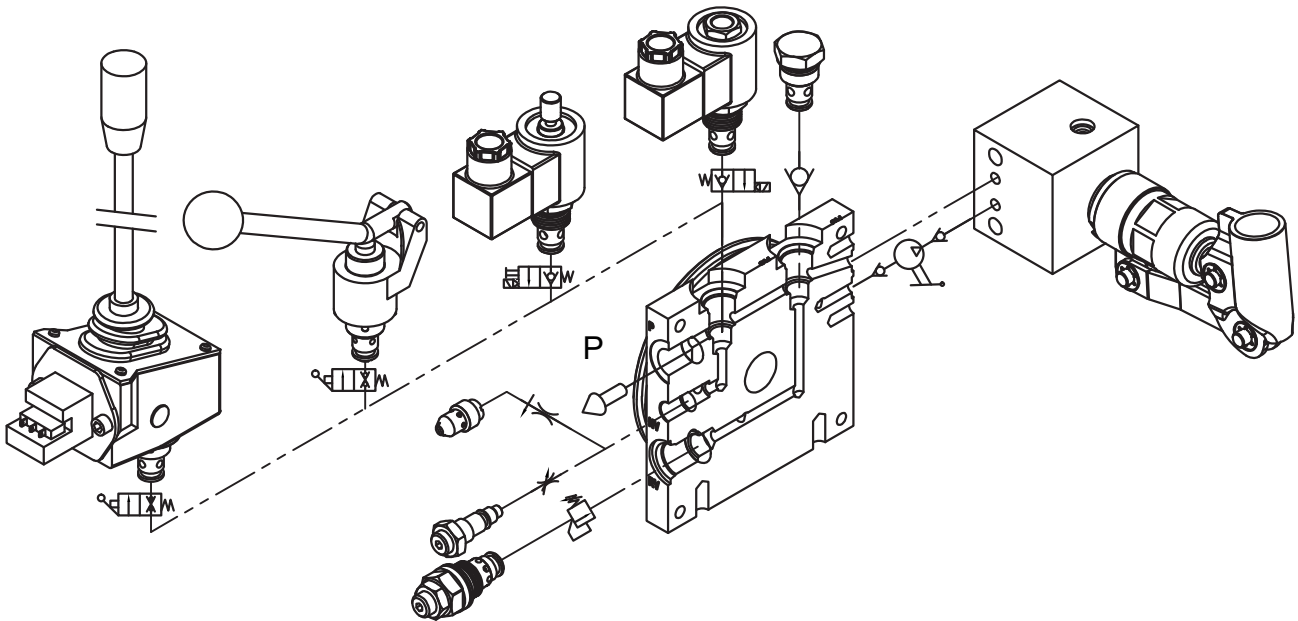
## TGT-S02-001



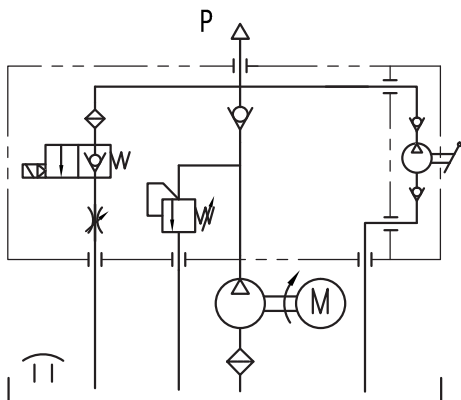
101



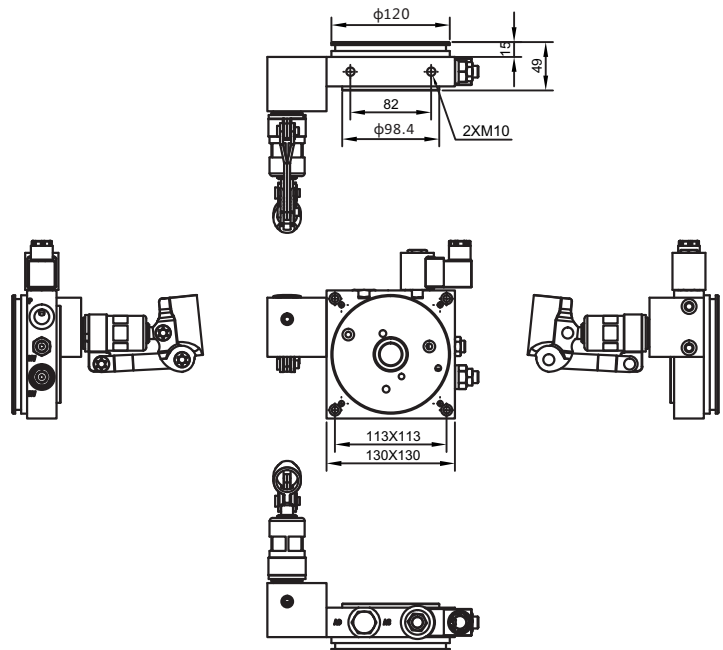
# Central Manifold



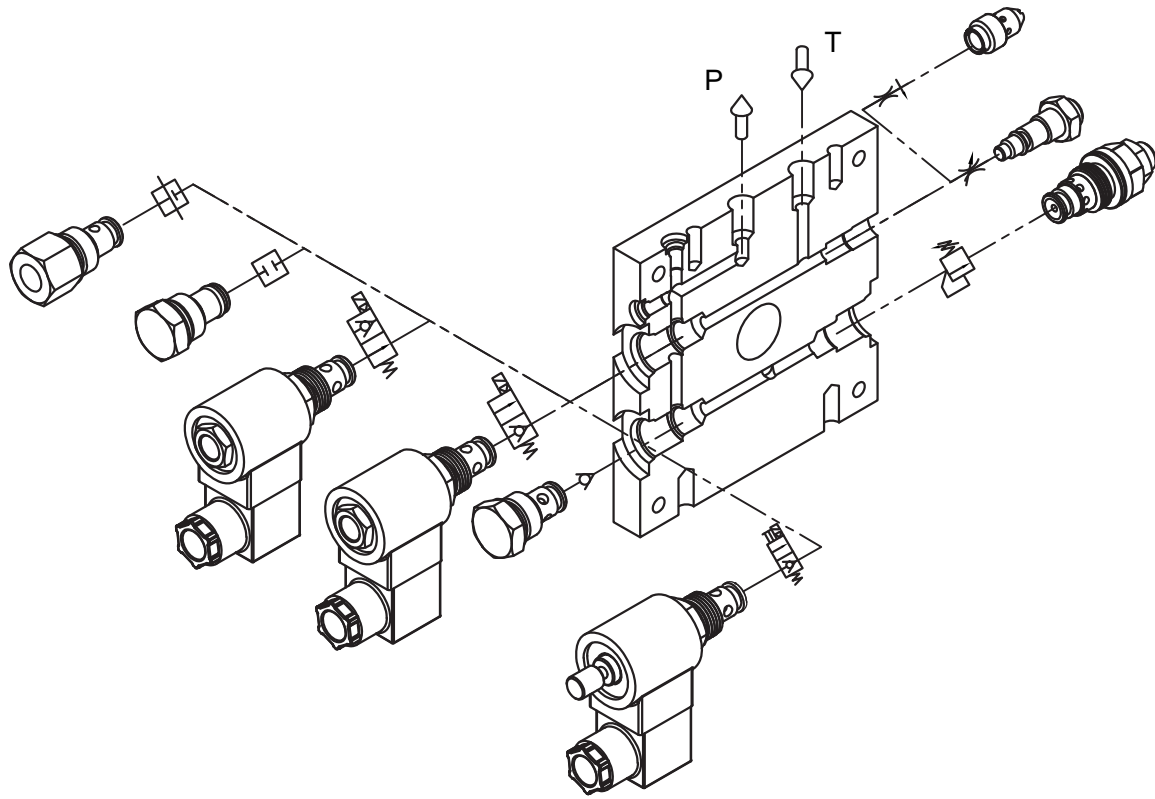
## TGT-S02E-001



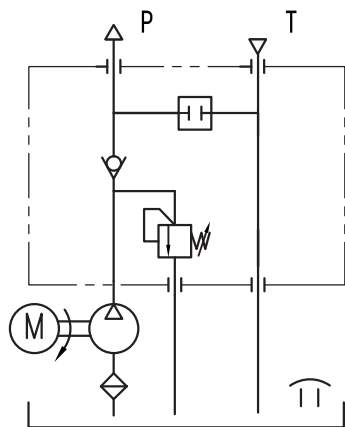
103



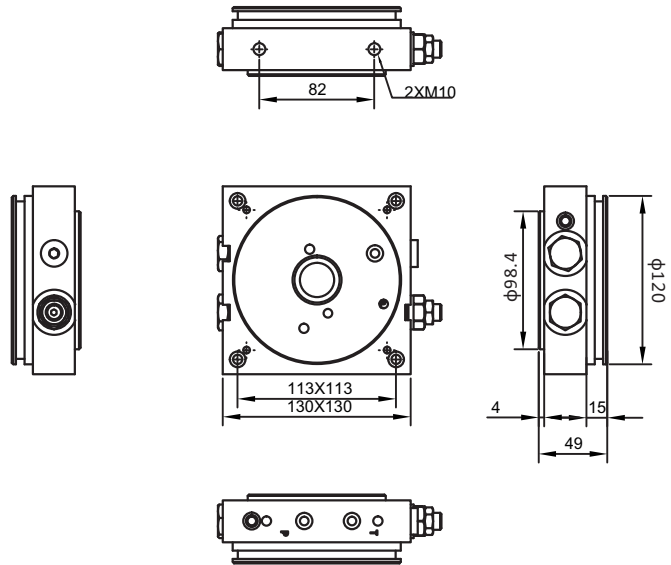
# Central Manifold



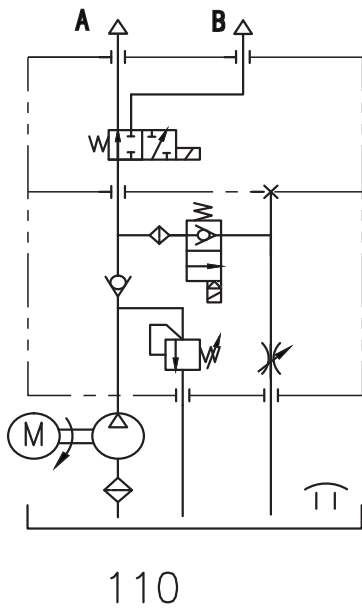
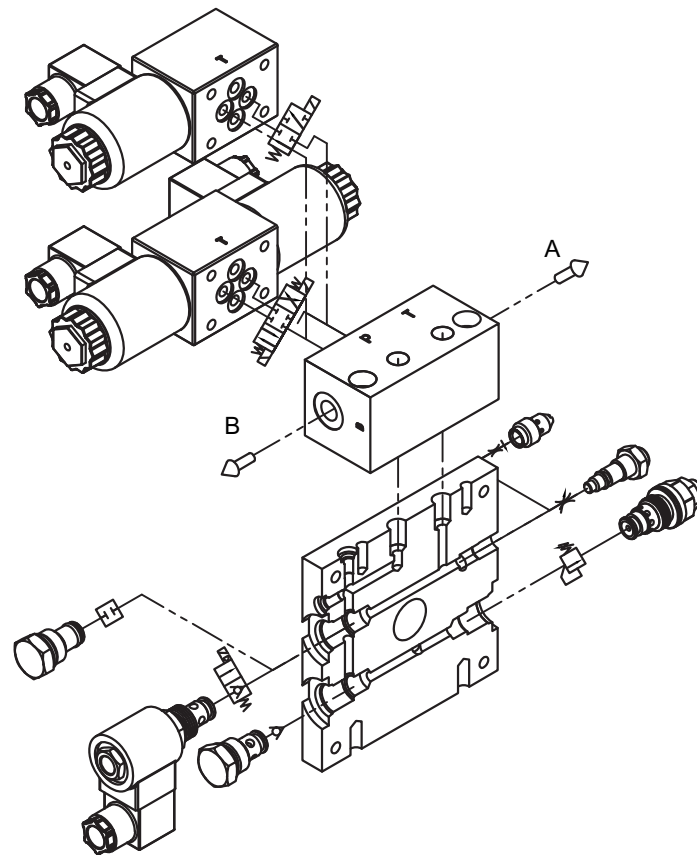
TGT-SD01-001



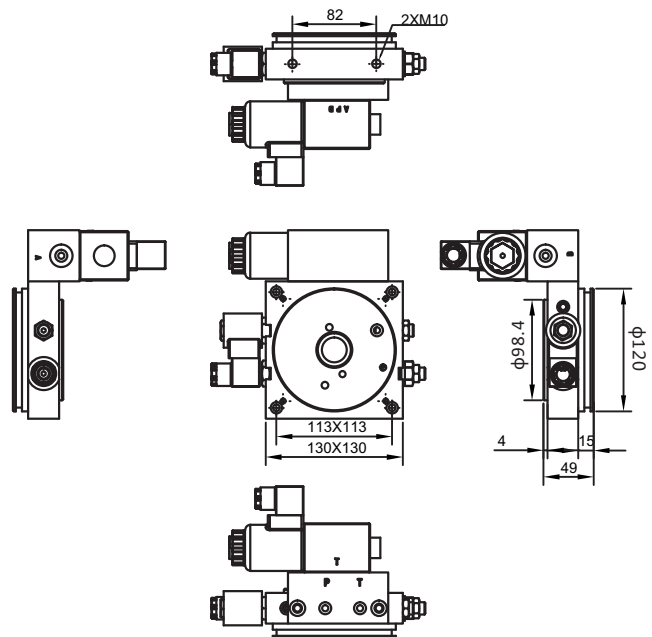
107



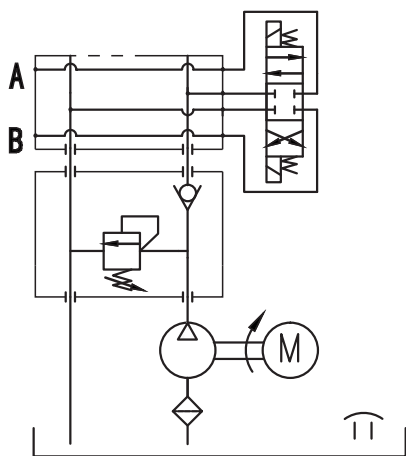
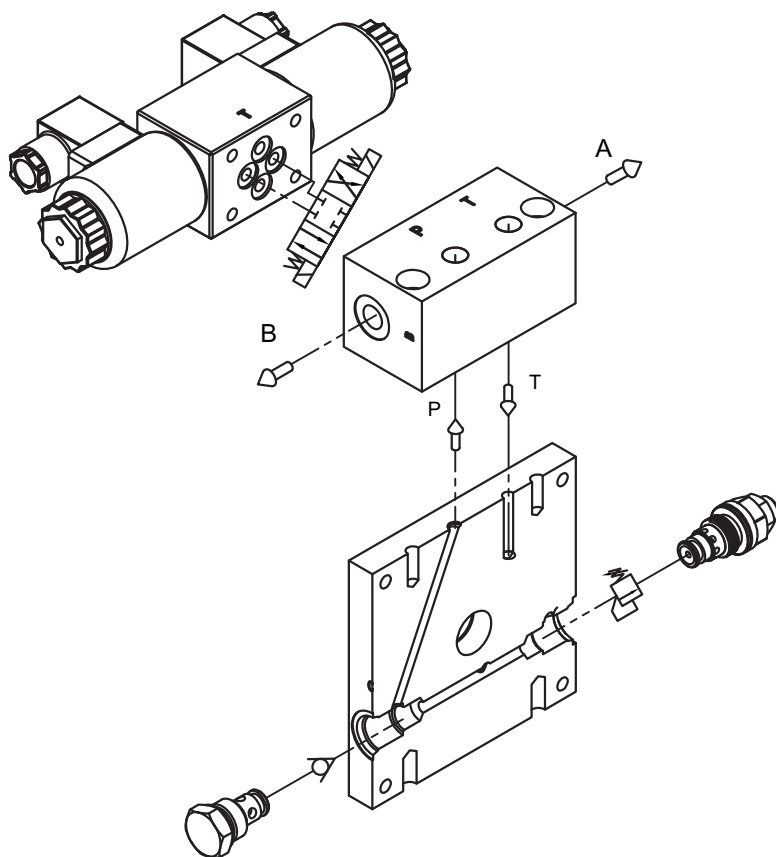
# Central Manifold



TGT-SD01-001

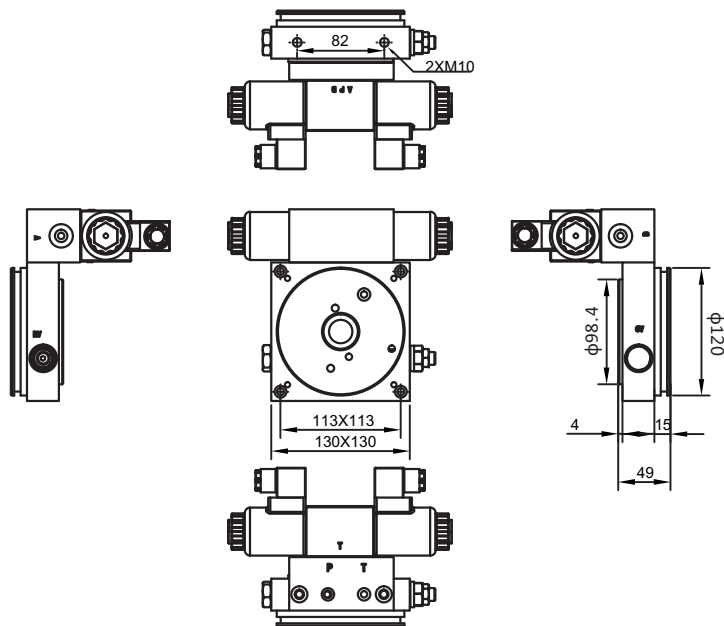


# Central Manifold



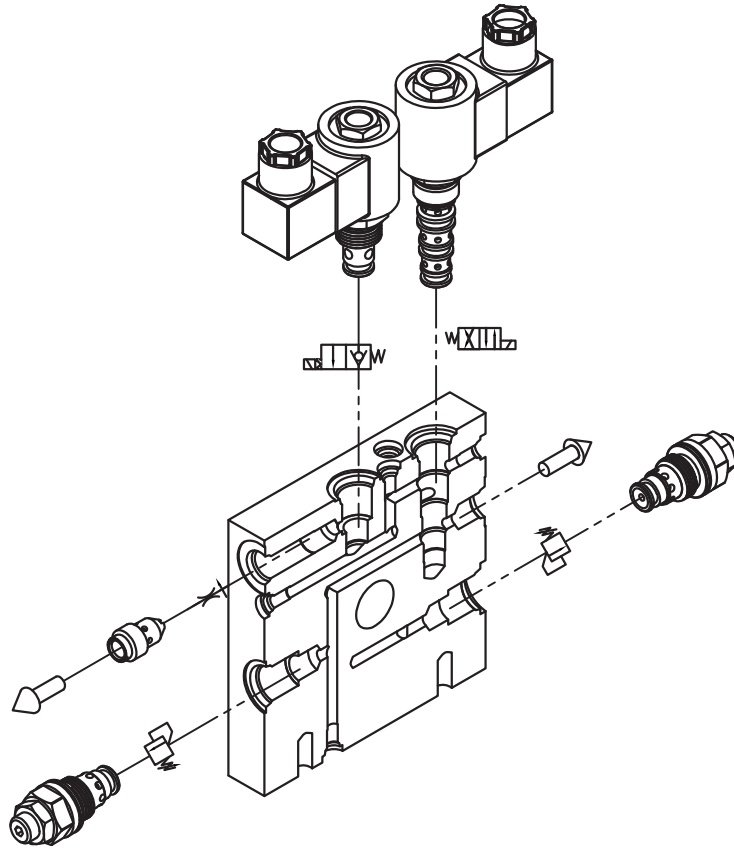
111

TGT-D01-001

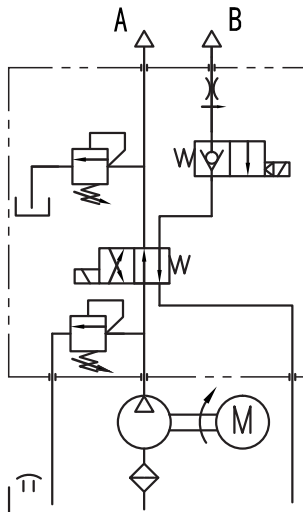




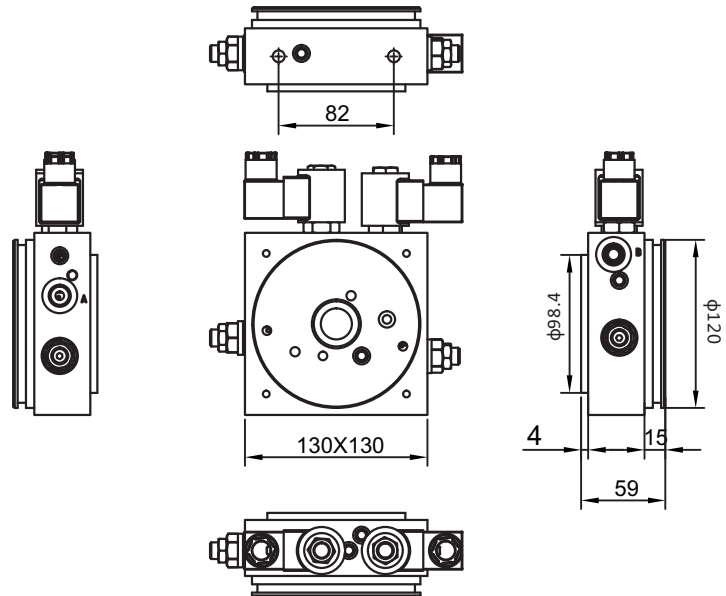
# Central Manifold



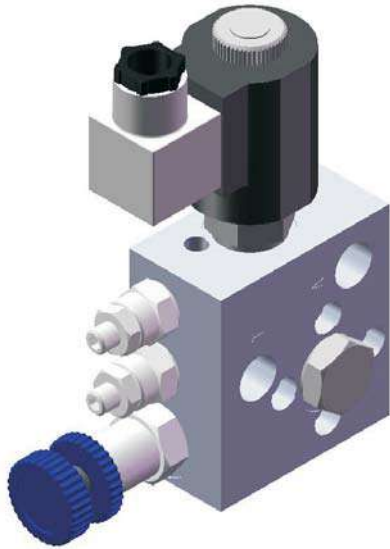
TGT-CD01-001



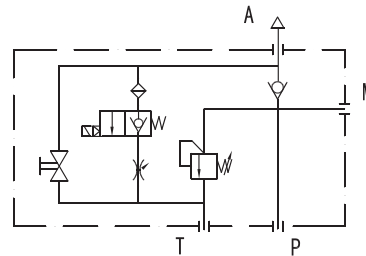
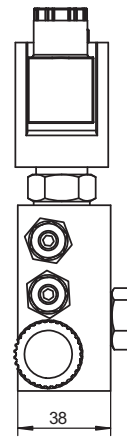
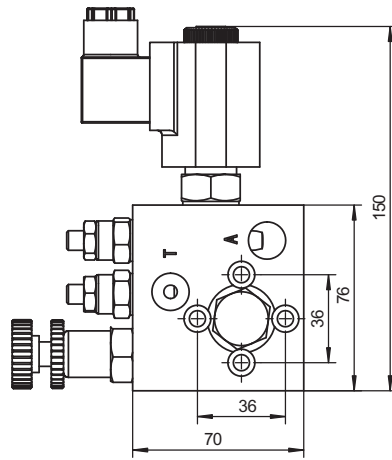
116



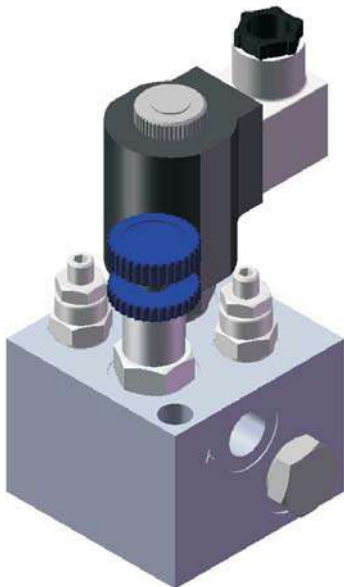
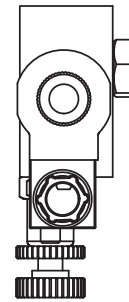
# Hydraulic Lift Valve



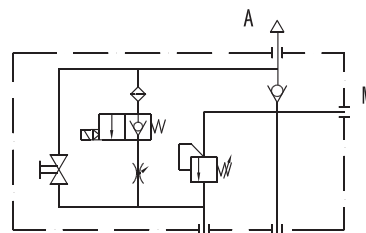
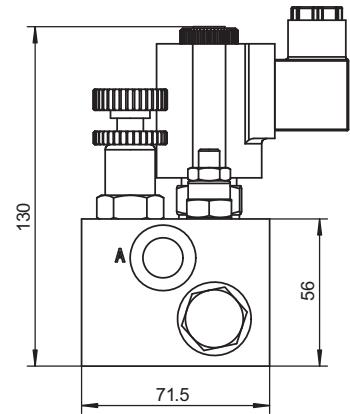
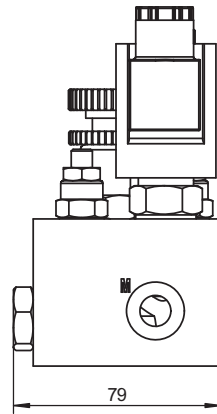
KVS-01



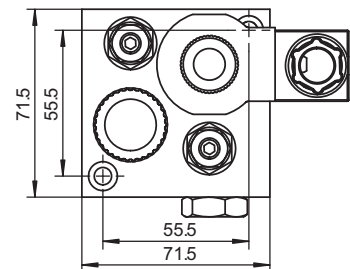
HYDRAULIC CIRCUIT



KVS-02

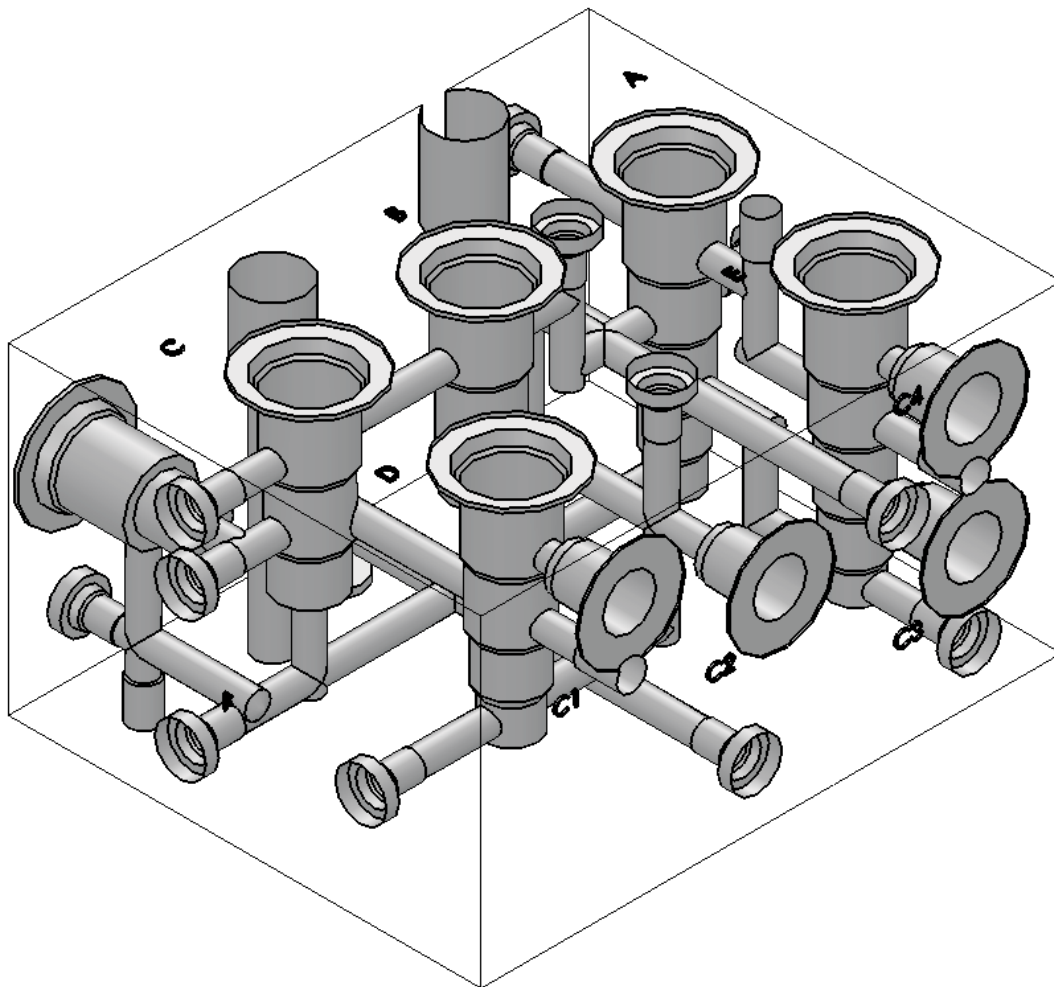


HYDRAULIC CIRCUIT



## Custom Manifolds

Manifolds can be customized to meet unique application requirement



Material : Anodized 6061-T6 aluminum  
Cavity : Industry Standard Common Cavity

# Stacking Manifold Block

CODE	DESCRIPTION	SYMBOL	DIMENSIONS
ACMB-01	Transition Block Port: 1/4" BSPP		
MB-01	Parallel Manifold Block		
MB2-01	Manifold Block In Series		
MB-03	Parallel Manifold Block		

# Cartridge Valve

Solenoid Valve						
Coil Voltage	DC12V	DC24V	DC48V	AC110V	AC220V	
Design						
Cavity	08 Size	Operating Pressure	207bar	Flow	30L/min	
	10 Size				60L/min	
SYMBOL						
CODE	DESCRIPTION	SYMBOL	DIMENSIONS			
TSV-08-2NCP	Normally-Closed Two-Way Two-Position Cartridge Solenoid Valve					
TSV-08-2NCP-M						
TSV2-08-2NCP						
TSV2-08-2NCP-M						
TSV-10-2NCP						
TSV-08-2NOP		Normally-Open Two-Way Two-Position Cartridge Solenoid Valve				
TSV-08-2NCSP		Normally-Closed Two-Way Two-Position Bi-Directional Cartridge Solenoid Valve				

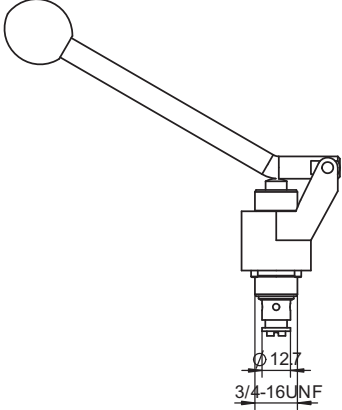
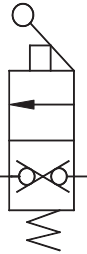
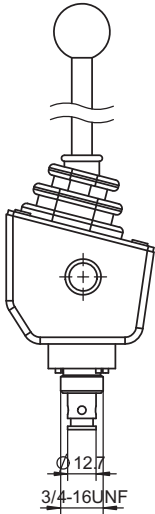
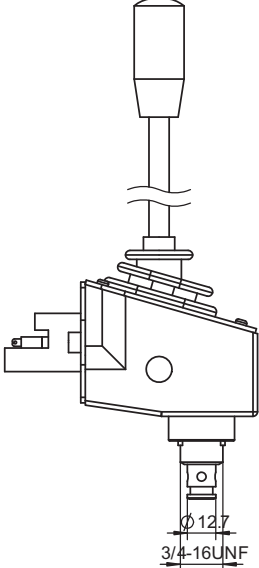
# Cartridge Valve

CODE	DESCRIPTION	SYMBOL	DIMENSIONS
TSV-08-3B	Three-Way Two-Position Spool-Type Cartridge Solenoid Valve		
TSV-08-4CO	Four-Way Two-Position Spool-Type Cartridge Solenoid Valve		
TCV-08	Direct-Acting Poppet-Type Cartridge Check Valve		
TCV2-08	Direct-Acting Ball-Type Cartridge Check Valve		
TRV-08	Adjustable Direct-Acting Cartridge Relief Valve		
TRV-SAE8			
TRV2-08			
TRV3-08			
TADRV2-08			

# Cartridge Valve

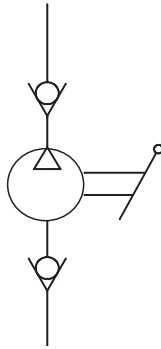
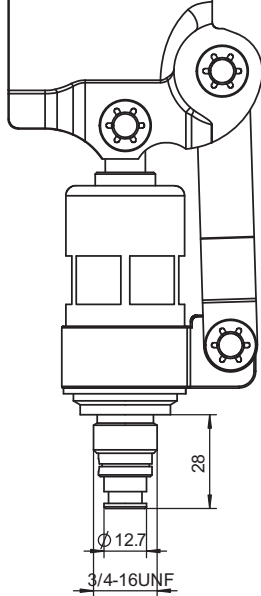
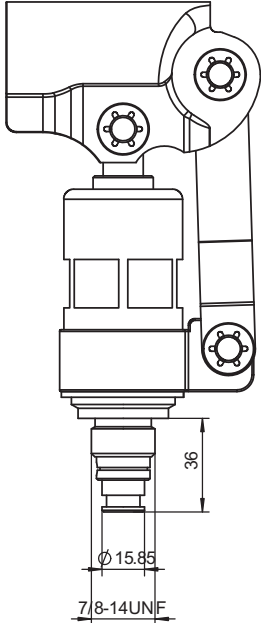
CODE	DESCRIPTION	SYMBOL	DIMENSIONS
TADRV2-10	Adjustable Direct Acting Cartridge Relief Valve		
TPSRV-08	Adjustable Pilot-Operated Cartridge Relief Valve		
TFC-08	Adjustable Cartridge One-Way Flow Control Valve		
TNV-08	Flow Control Valve		
TV-M12X1			
IFC - 6T	Regulator Pressure -Compensated Flow Control Valve in-line 1L/min 2L/min 3L/min 4L/min 5L/min 6L/min 7L/min 8L/min 9L/min 10L/min		
TCV-08G	Oil Plug		
TCV-08H	Oil Plug		

# Cartridge Valve

CODE	DESCRIPTION	SYMBOL	DIMENSIONS
TMRV-08			
TMRV2-08	Manua Unloading Valve With Microswitch		
TMRV3-08			




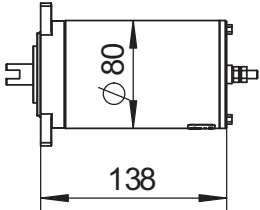
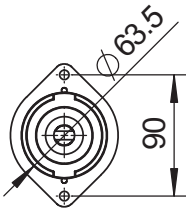
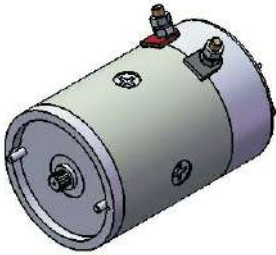
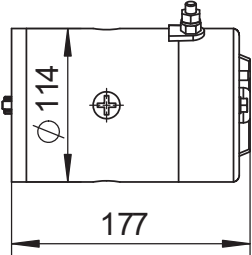
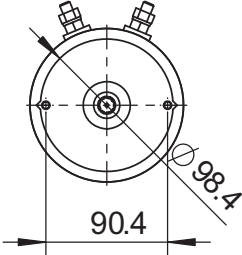
# Cartridge Hand Pump

CODE	DESCRIPTION	SYMBOL	DIMENSIONS
THP-08	Hand Pump 7cc/stroke		
THP-10	Hand Pump 9cc/stroke		

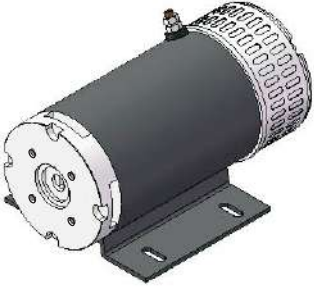
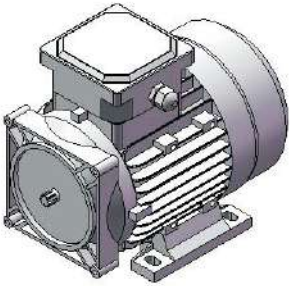
# Stacked Valve

Solenoid Valve					
Coil Voltage	DC12V	DC24V	DC48V	AC110V	AC220V
Design					
CODE	DSG-02-*	Operating Pressure	315bar	Flow	60L/min
SYMBOL			<p>DIMENSIONS:</p>		
	CODE	DESCRIPTION	SYMBOL	DIMENSIONS	
MTC-02W	Stacked Unidirectional Throttle Valve				
Z2FS6					
Z2S6	Modular Pilot Operated Check Valve				

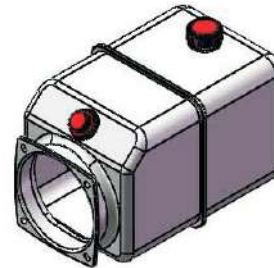
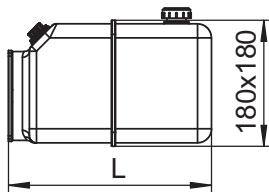
# Motor

DIMENSIONS	DESCRIPTION								
 <table border="1" data-bbox="544 555 802 667"> <thead> <tr> <th>POWER</th> <th>CODE</th> </tr> </thead> <tbody> <tr> <td>0.5KW</td> <td>DM01</td> </tr> <tr> <td>0.8KW</td> <td>DM02</td> </tr> </tbody> </table>  	POWER	CODE	0.5KW	DM01	0.8KW	DM02	<p>VOLTAGE: DC12V/DC24V</p> <p>POWER:0.5KW, 0.8KW</p> <p>SPEED :3000rpm</p> <p>MOTOR ROTATION: CW</p> <p>DUTY:S3</p> <p>INGRESS PROTECTION:IP54</p>		
POWER	CODE								
0.5KW	DM01								
0.8KW	DM02								
 <table border="1" data-bbox="552 1332 807 1473"> <thead> <tr> <th>POWER</th> <th>CODE</th> </tr> </thead> <tbody> <tr> <td>1.6KW</td> <td>DM03</td> </tr> <tr> <td>2.0KW</td> <td>DM04</td> </tr> <tr> <td>2.5KW</td> <td>DM05</td> </tr> </tbody> </table>  	POWER	CODE	1.6KW	DM03	2.0KW	DM04	2.5KW	DM05	<p>VOLTAGE:DC12V/DC24V</p> <p>POWER:1.6KW,2.0KW,2.5KW</p> <p>SPEED:3000rpm</p> <p>MOTOR ROTATION: CW</p> <p>DUTY:S3</p> <p>INGRESS PROTECTION:IP54</p>
POWER	CODE								
1.6KW	DM03								
2.0KW	DM04								
2.5KW	DM05								

## Motor

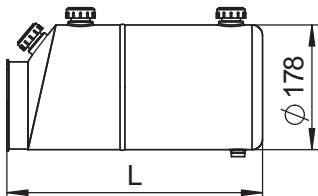
DIMENSIONS	DESCRIPTION												
<table border="1" data-bbox="531 465 783 539"> <thead> <tr> <th>POWER</th> <th>CODE</th> </tr> </thead> <tbody> <tr> <td>3.0KW</td> <td>DM06</td> </tr> </tbody> </table> 	POWER	CODE	3.0KW	DM06	<p>VOLTAGE:DC24V</p> <p>POWER:3.0KW</p> <p>SPEED:3000rpm</p> <p>MOTOR ROTATION: CW</p> <p>DUTY:S3</p> <p>INGRESS PROTECTION:IP54</p>								
POWER	CODE												
3.0KW	DM06												
<table border="1" data-bbox="531 913 783 1126"> <thead> <tr> <th>POWER</th> <th>CODE</th> </tr> </thead> <tbody> <tr> <td>0.75KW</td> <td>AM01</td> </tr> <tr> <td>1.1KW</td> <td>AM02</td> </tr> <tr> <td>1.5KW</td> <td>AM03</td> </tr> <tr> <td>2.2KW</td> <td>AM04</td> </tr> <tr> <td>3.0KW</td> <td>AM05</td> </tr> </tbody> </table> 	POWER	CODE	0.75KW	AM01	1.1KW	AM02	1.5KW	AM03	2.2KW	AM04	3.0KW	AM05	<p>VOLTAGE: AC220V/AC230V</p> <p>POWER:0.75KW,1.1KW,1.5KW, 2.2KW,3.0KW</p> <p>POLE NO: 2 , 4</p> <p>FREQUENCY:50HZ,60HZ</p> <p>DUTY:S1 S6</p> <p>INGRESS PROTECTION: IP44,IP54</p> <p>INSULATION CLASS:B</p>
POWER	CODE												
0.75KW	AM01												
1.1KW	AM02												
1.5KW	AM03												
2.2KW	AM04												
3.0KW	AM05												
<table border="1" data-bbox="531 1469 783 1682"> <thead> <tr> <th>POWER</th> <th>CODE</th> </tr> </thead> <tbody> <tr> <td>0.75KW</td> <td>AM01</td> </tr> <tr> <td>1.1KW</td> <td>AM02</td> </tr> <tr> <td>1.5KW</td> <td>AM03</td> </tr> <tr> <td>2.2KW</td> <td>AM04</td> </tr> <tr> <td>3.0KW</td> <td>AM05</td> </tr> </tbody> </table> 	POWER	CODE	0.75KW	AM01	1.1KW	AM02	1.5KW	AM03	2.2KW	AM04	3.0KW	AM05	<p>VOLTAGE : AC380V/AC415V/440V</p> <p>POWER:0.75KW,1.1KW,1.5KW, 2.2KW,3.0KW</p> <p>POLE NO: 2 , 4</p> <p>FREQUENCY:50HZ,60HZ</p> <p>DUTY:S1 S6</p> <p>INGRESS PROTECTION: IP44,IP54</p> <p>INSULATION CLASS:B</p>
POWER	CODE												
0.75KW	AM01												
1.1KW	AM02												
1.5KW	AM03												
2.2KW	AM04												
3.0KW	AM05												

# Tank



## Plastic Oil Tank

CODE	VOLUME(L)	LENGTH(mm)	DESCRIPTION
PT-120-4	4	200	1.Surface color: White 2."H"Type:Horizontal "V"Type:Vertical 3.123mm Neck Size Available
PT-120-7	7	290	
PT-120-8	8	335	
PT-120-11	11	440	
PT-120-13	13	550	
PT-120-18	18	700	
PT-120-24	24	1050	



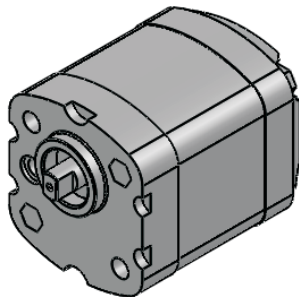
## Steel Oil Tank

CODE	VOLUME(L)	LENGTH(mm)	DESCRIPTION
ST-120-4-*	4	225	1.Two Surface color Optional: Red and Black 2."H"Type:Horizontal "V"Type:Vertical 3.123mm Neck Size Available
ST-120-5-*	5	265	
ST-120-6-*	6	290	
ST-120-8-*	8	365	
ST-120-10-*	10	435	
ST-120-12-*	12	545	

## Tank

Code Volume	PT-94-1 1L		Code Volume	PT-120-2.5 2.5L	
		<p>1. Plastic Oil Tank 2. Surface Color: White 3. "H" Type: Horizontal "V" Type: Vertical</p>			<p>1. Plastic Oil Tank 2. Surface Color: White 3. "H" Type: Horizontal "V" Type: Vertical</p>
Code Volume	ST-94-1.2H 1.2L	<p>1. Steel Oil Tank 2. Surface Color Optional: Red and Black 3. "H" Type: Horizontal</p>	Code Volume	SST-120-10V 10L	
					<p>1. Square Steel Tank 2. Surface Color Optional: Red and Black 3. "V" Type: Vertical 4. 123mm Neck Size Available</p>
Code Volume	SST-120-12H 12L		Code Volume	SST-120-15H 15L	
		<p>1. Steel Oil Tank 2. Surface Color Optional: Red and Black 3. "H" Type: Horizontal 4. 123mm Neck Size Available</p>			<p>1. Steel Oil Tank 2. Surface Color Optional: Red and Black 3. "H" Type: Horizontal 4. 123mm Neck Size Available</p>

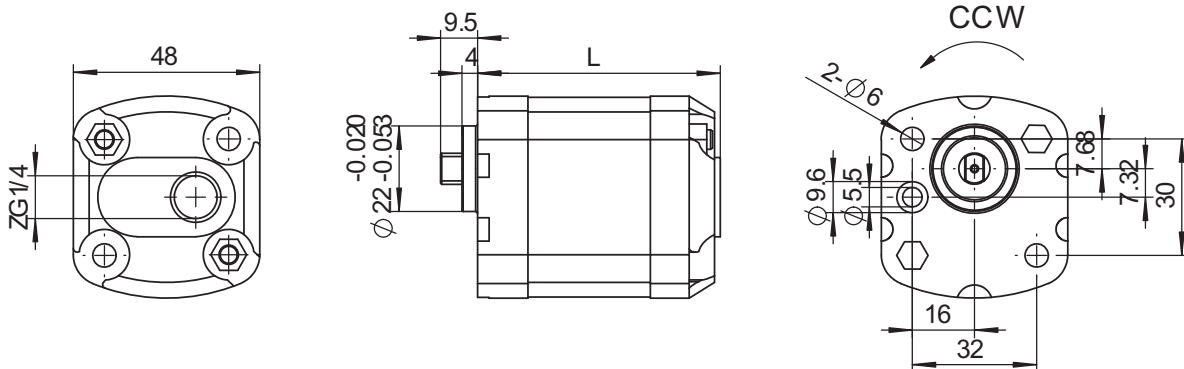
# Gear Pump



To mount the pump, n.2M5 screws, with a torque wrench setting fixed  $5.4 \pm 0.5\text{NM}$

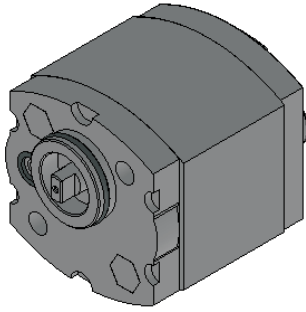
INLET

OUTLET



TYPE	DISPLACEMENT (cc/r)	MAX PRESSURE (bar)			MAX.SPEED (r/min)	MIN.SPEED (r/min)	LENGTH (mm)
		P1	P2	P3			
GP-F100.19	0.19	200	230	250	7000	1000	60
GP-F100.26	0.26	200	230	250	7000	1000	60.5
GP-F100.38	0.38	200	230	250	7000	1000	61.5
GP-F100.50	0.50	200	230	250	7000	1000	62.5
GP-F100.65	0.65	200	230	250	7000	1000	63.5
GP-F100.75	0.75	200	230	250	7000	1000	64.5
GP-F100.88	0.88	200	230	250	7000	1000	65.5
GP-F101.00	1.00	200	230	250	6000	850	66.5
GP-F101.25	1.25	200	230	250	5000	700	68.5
GP-F101.50	1.50	200	230	250	4000	600	70.5
GP-F101.75	1.75	180	210	230	4000	600	72.5
GP-F102.00	2.00	160	190	210	3000	500	74.5

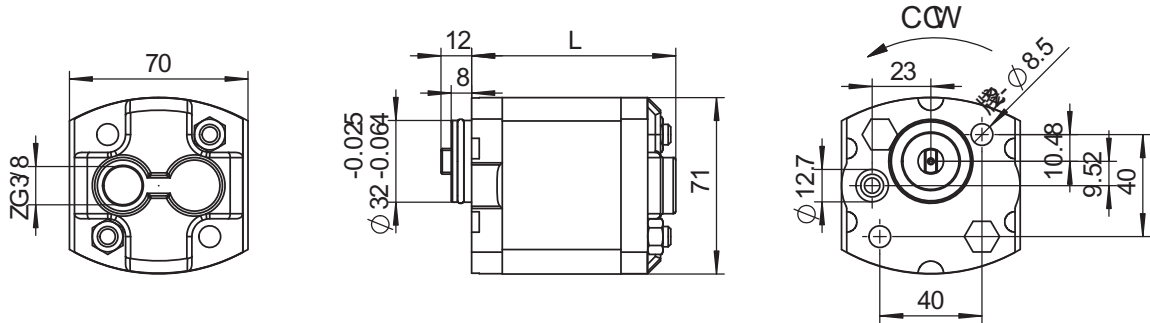
# Gear Pump



To mount the pump, n.2M8 screws, with a torque wrench setting fixed  $27 \pm 3$  NM

INLET


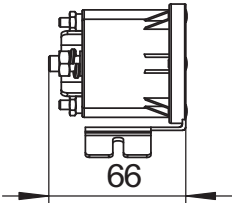
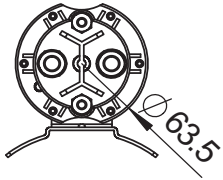
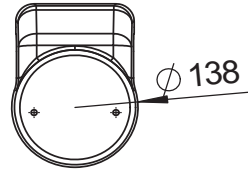
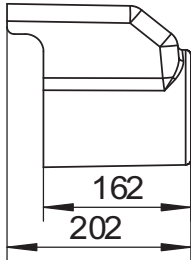
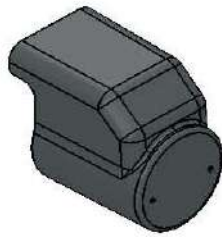

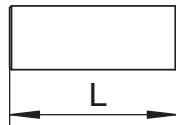

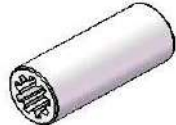
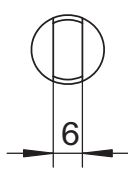
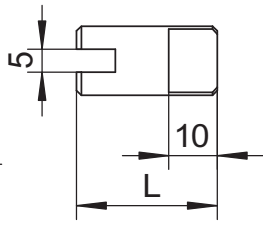
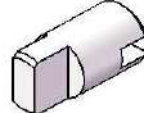
OUTLET



TYPE	DISPLACEMENT (cc/r)	MAX PRESSURE (bar)			MAX.SPEED (r/min)	MIN.SPEED r/(min)	LENGTH (mm)
		P1	P2	P3			
GP-F200.75	0.75	230	250	270	6000	1000	73.5
GP-F201.1	1.1	230	250	270	6000	1000	75.5
GP-F201.3	1.3	230	250	270	6000	1000	76.5
GP-F201.6	1.6	230	250	270	6000	1000	77.5
GP-F202.1	2.1	230	250	270	6000	1000	80
GP-F202.6	2.6	230	250	270	6000	800	82
GP-F203.2	3.2	210	230	250	5000	800	85
GP-F203.7	3.7	210	230	250	4500	800	87.5
GP-F204.2	4.2	210	230	250	4000	800	90
GP-F204.8	4.8	190	210	230	3500	600	92.5
GP-F205.8	5.8	190	210	230	3000	600	97
GP-F207.0	7.0	160	180	200	2500	500	105
GP-F208.0	8.0	160	180	200	2100	500	109.5



# Accessories

DCMotor-Start Switch			
CODE	VOLTAGE	WORKING CURRENT	DIMENSIONS
DC1261	DC12V	150A	  
DC2461	DC24V	150A	
DCMotor—Protection Cover			
CODE	  		
MC002			
Coupling			
CODE	C46	C57	   
LENGTH	46mm	57mm	
Custom Coupling			
CODE	CC29	CC33	  
LENGTH	29mm	33mm	
Other coupling is available			

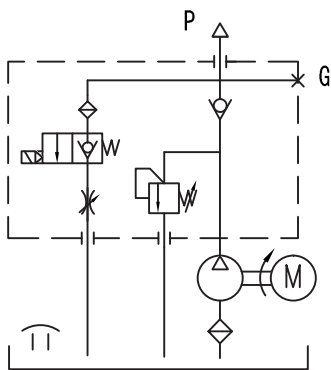
# Accessories

Suction Pipe			
CODE	ZG38-90	CODE	ZG38-14-90
NOTE	Steel	NOTE	Steel
CODE	LENGTH		
PSP-100	100mm	1. Plastic Suction Pipe 2. Other length is available	
PSP-145	145mm		
PSP-200	200mm		
PSP-240	240mm		
Filter			
CODE	CODE	CODE	
F43	F65	F70	
Return Pipe			
CODE	LENGTH		
RP-G14-120	120mm	1. Plastic Return Pipe 2. Other length is available	
RP-G14-180	180mm		
RP-G14-280	280mm		
RP-G14-320	320mm		

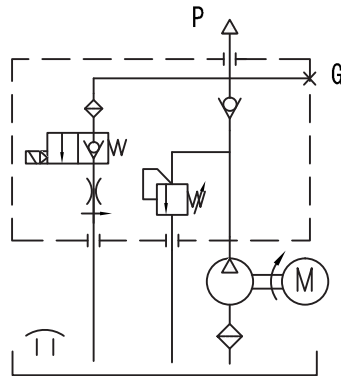
# Accessories

Mounting Bracket						
<table border="1"> <tr><td>CODE</td></tr> <tr><td>TGT-M82</td></tr> </table>	CODE	TGT-M82				
CODE						
TGT-M82						
<table border="1"> <tr><td>CODE</td></tr> <tr><td>TGT-M60</td></tr> </table>	CODE	TGT-M60				
CODE						
TGT-M60						
Button Remote Pendant						
<table border="1"> <tr><td>CODE</td></tr> <tr><td>BRP02</td></tr> </table>	CODE	BRP02		<table border="1"> <tr><td>CODE</td></tr> <tr><td>LBRP03</td></tr> </table>	CODE	LBRP03
CODE						
BRP02						
CODE						
LBRP03						
	<table border="1"> <tr><td>CODE</td></tr> <tr><td>BRP04</td></tr> </table>	CODE	BRP04			
CODE						
BRP04						
Wireless Remote Control Pendant						
<table border="1"> <tr><td>CODE</td></tr> <tr><td>WRCP12</td></tr> </table>	CODE	WRCP12				
CODE						
WRCP12						
<p>Control Power Unit 100 Meters Away</p>						

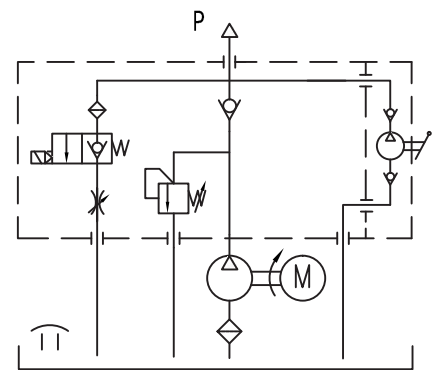
# Hydraulic Circuit



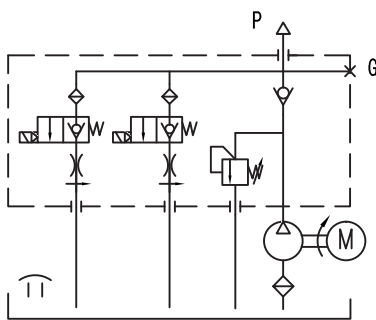
101



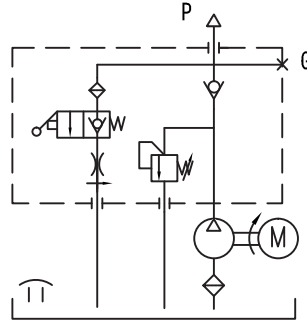
102



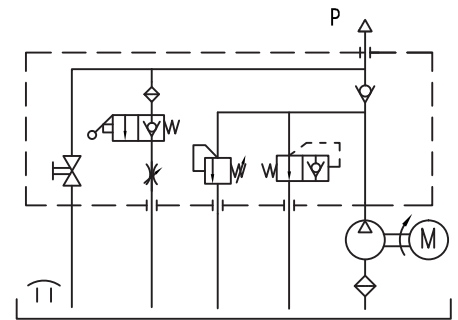
103



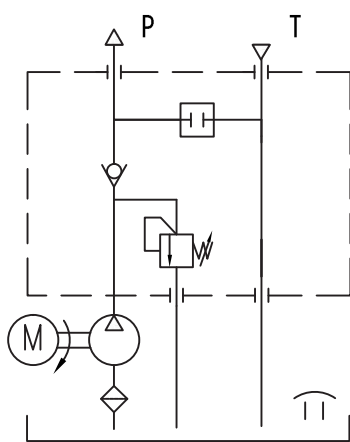
104



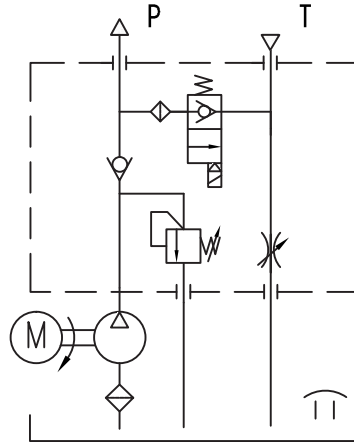
105



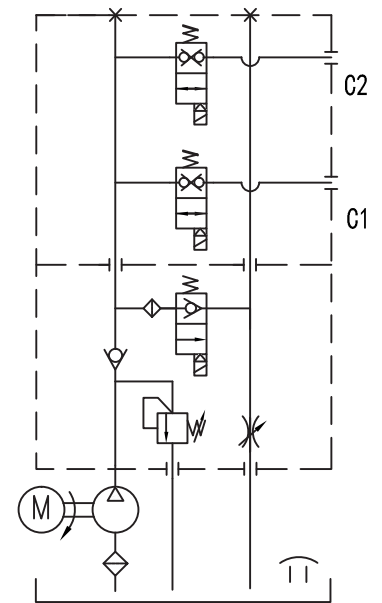
106



107

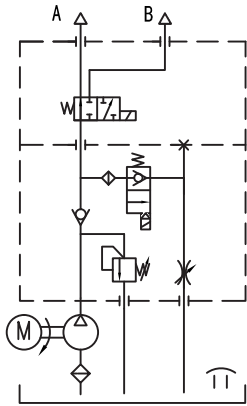


108

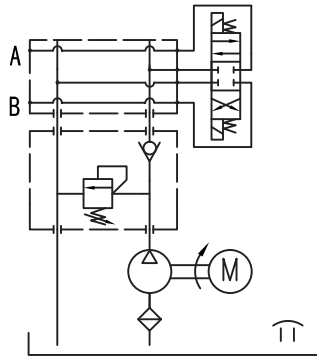


109

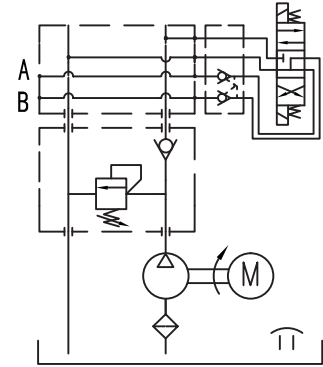
# Hydraulic Circuit



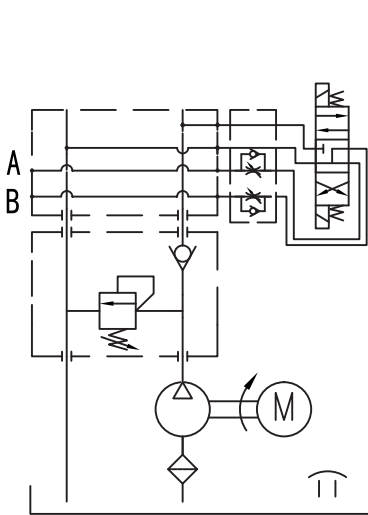
110



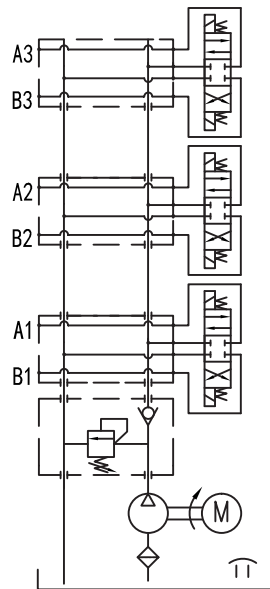
111



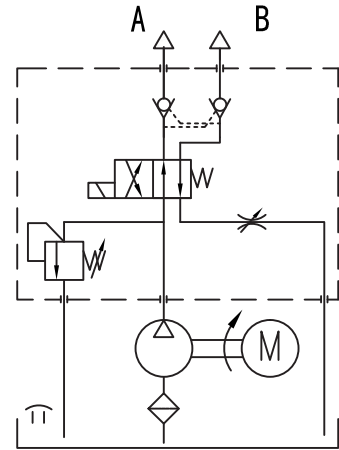
112



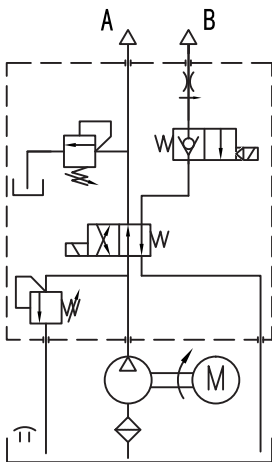
113



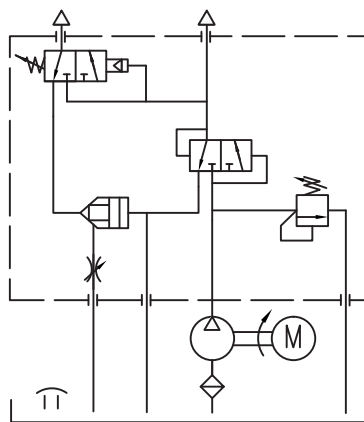
114



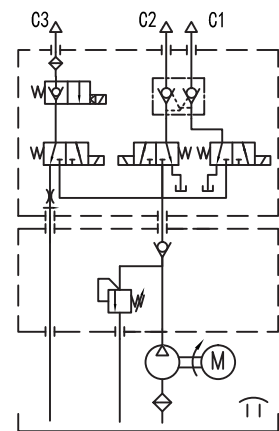
115



116

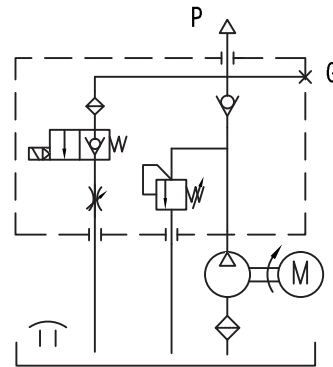
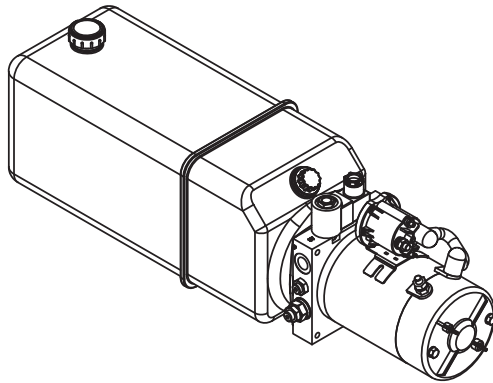
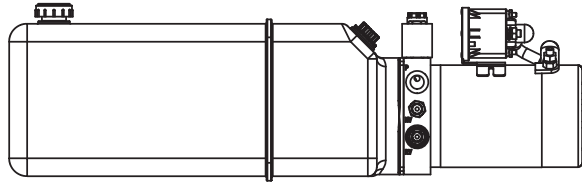
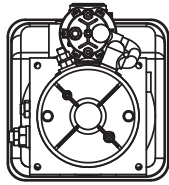


117

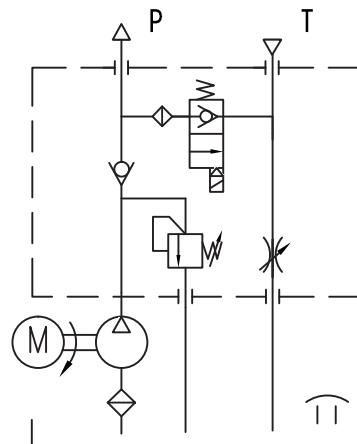
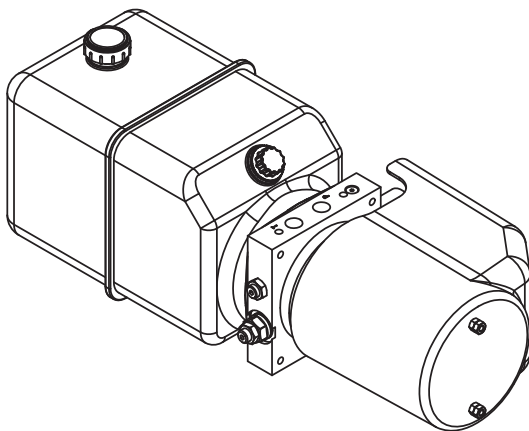
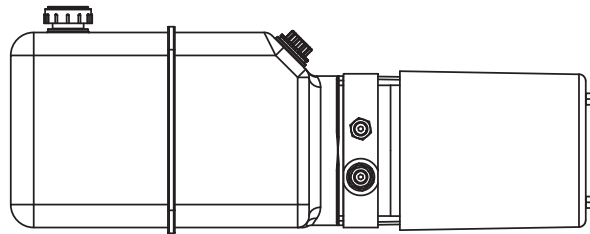
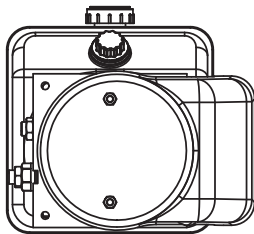


118

# Hydraulic Power Unit

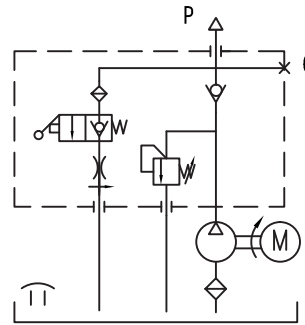
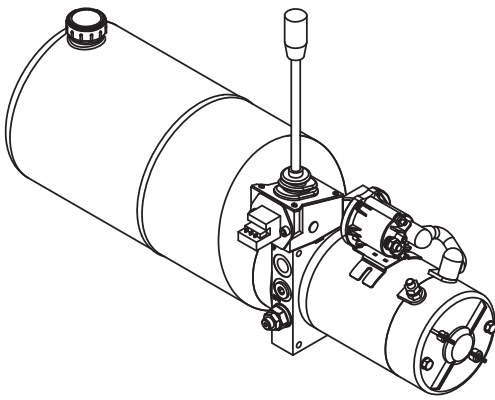
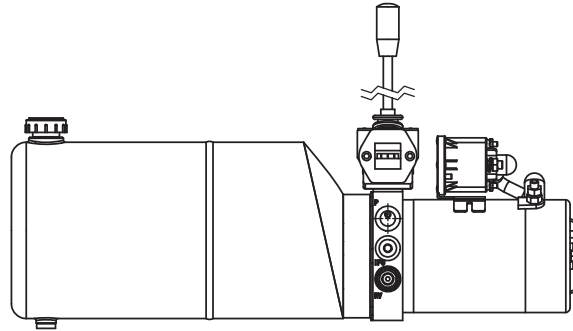
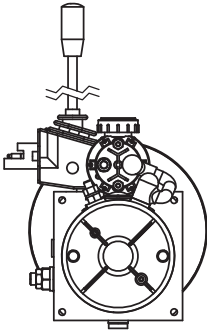


**101**

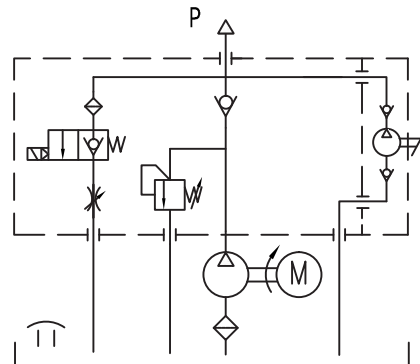
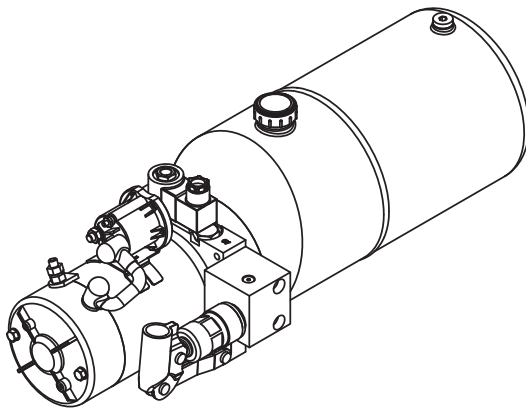
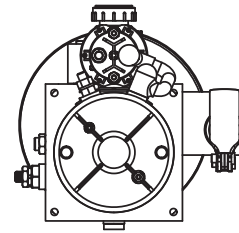
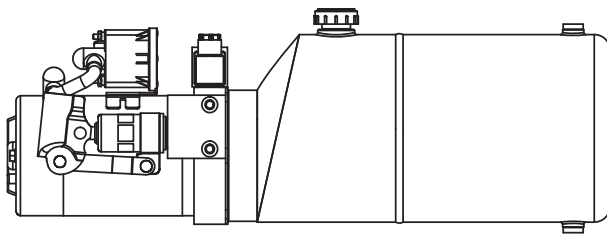


**108**

# Hydraulic Power Unit

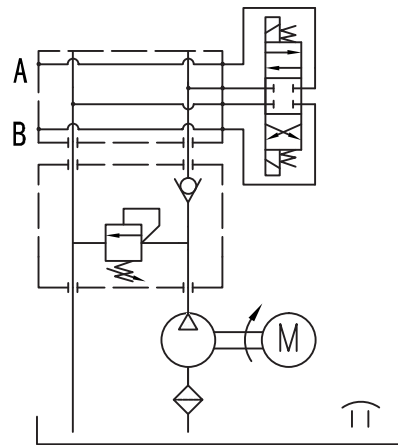
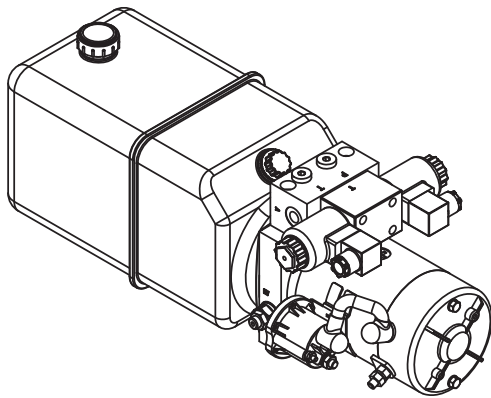
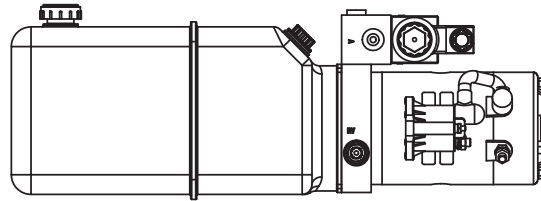
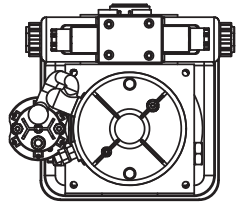


105

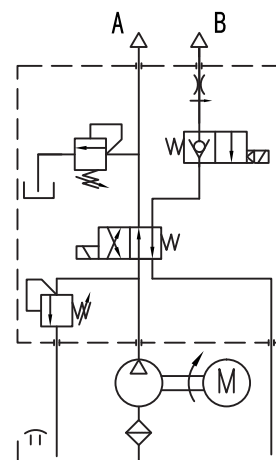
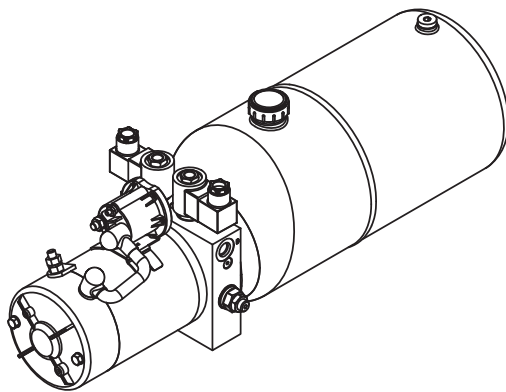
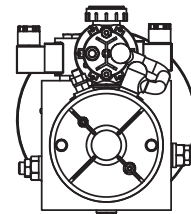
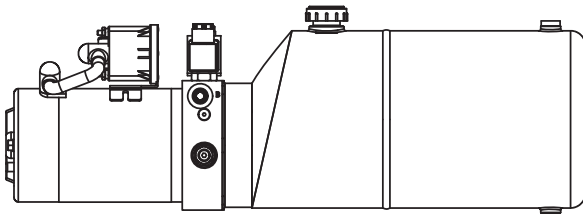


103

# Hydraulic Power Unit



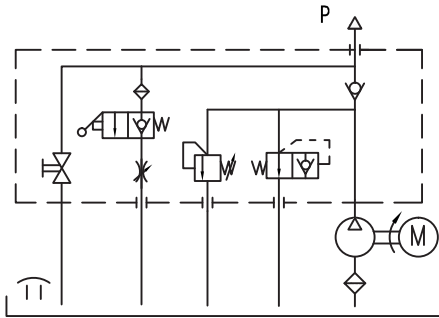
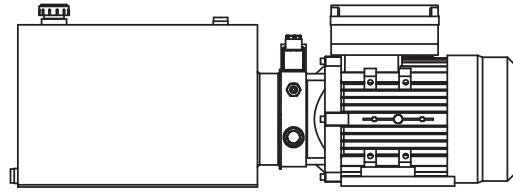
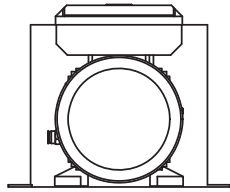
111



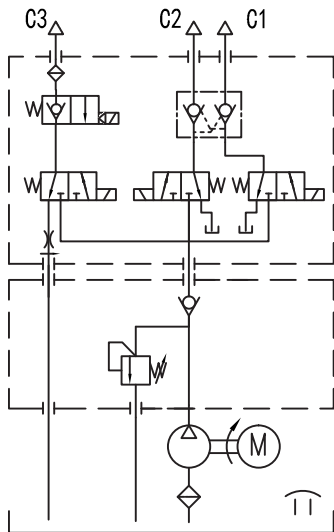
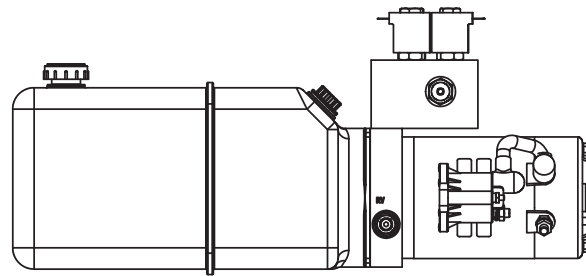
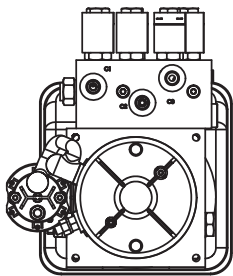
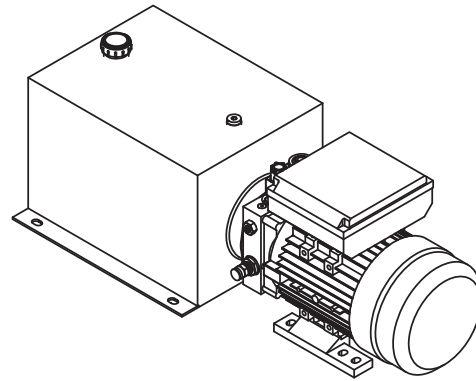
116



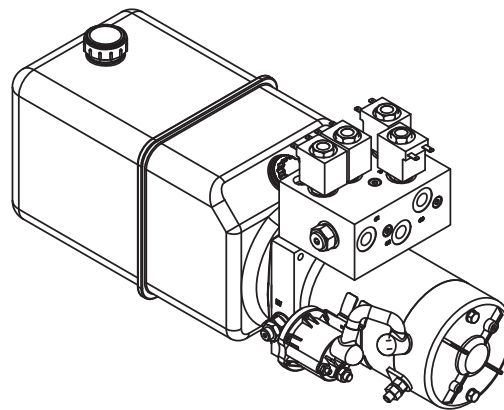
# Hydraulic Power Unit



106



118





Adress: João Planincheck, 1040

Nova Brasilia - Jaraguá do Sul

Santa Catarina - Brazil

Tel: 55-47-21070010

[www.tshcompany.com.br](http://www.tshcompany.com.br)