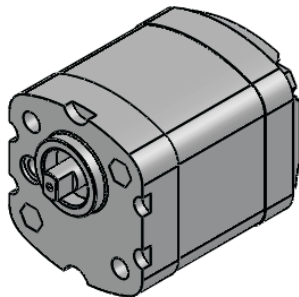


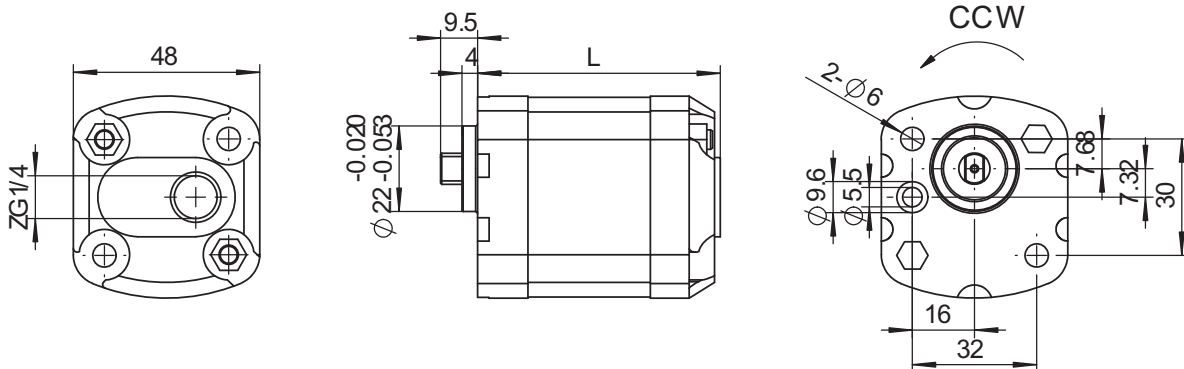
# Gear Pump



To mount the pump, n.2M5 screws, with a torque wrench setting fixed  $5.4 \pm 0.5\text{NM}$

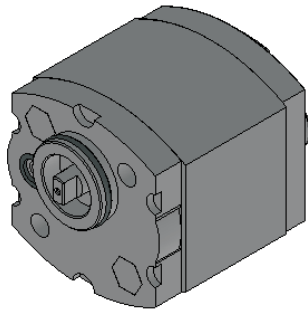
INLET

OUTLET



TYPE	DISPLACEMENT (cc/r)	MAX PRESSURE (bar)			MAX.SPEED (r/min)	MIN.SPEED r/(min)	LENGTH (mm)
		P1	P2	P3			
GP-F100.19	0.19	200	230	250	7000	1000	60
GP-F100.26	0.26	200	230	250	7000	1000	60.5
GP-F100.38	0.38	200	230	250	7000	1000	61.5
GP-F100.50	0.50	200	230	250	7000	1000	62.5
GP-F100.65	0.65	200	230	250	7000	1000	63.5
GP-F100.75	0.75	200	230	250	7000	1000	64.5
GP-F100.88	0.88	200	230	250	7000	1000	65.5
GP-F101.00	1.00	200	230	250	6000	850	66.5
GP-F101.25	1.25	200	230	250	5000	700	68.5
GP-F101.50	1.50	200	230	250	4000	600	70.5
GP-F101.75	1.75	180	210	230	4000	600	72.5
GP-F102.00	2.00	160	190	210	3000	500	74.5

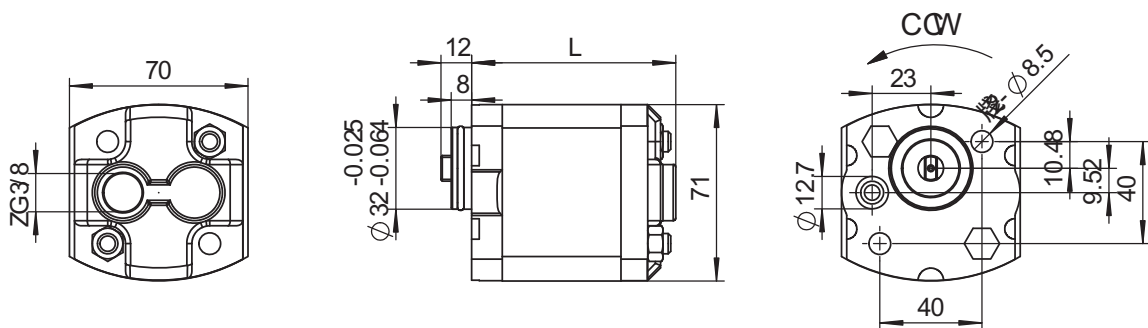
## Gear Pump



To mount the pump, n.2M8 screws, with a torque wrench setting fixed  $27 \pm 3$  NM

INLET

OUTLET



TYPE	DISPLACEMENT (cc/r)	MAX PRESSURE (bar)			MAX.SPEED (r/min)	MIN.SPEED r/(min)	LENGTH (mm)
		P1	P2	P3			
GP-F200.75	0.75	230	250	270	6000	1000	73.5
GP-F201.1	1.1	230	250	270	6000	1000	75.5
GP-F201.3	1.3	230	250	270	6000	1000	76.5
GP-F201.6	1.6	230	250	270	6000	1000	77.5
GP-F202.1	2.1	230	250	270	6000	1000	80
GP-F202.6	2.6	230	250	270	6000	800	82
GP-F203.2	3.2	210	230	250	5000	800	85
GP-F203.7	3.7	210	230	250	4500	800	87.5
GP-F204.2	4.2	210	230	250	4000	800	90
GP-F204.8	4.8	190	210	230	3500	600	92.5
GP-F205.8	5.8	190	210	230	3000	600	97
GP-F207.0	7.0	160	180	200	2500	500	105
GP-F208.0	8.0	160	180	200	2100	500	109.5