

DESCRIPTION

A solenoid operated, 2-way, 2-position, normally open, poppet-type cartridge valve with reverse flow de-energized.

OPERATION

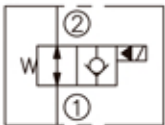
When de-energized, the poppet lifts to open flow from ② to ① . Flow is also open from ① to ② .

When energized ,the cartridge acts as a check valve, allowing flow from ① to ② while blocking flow from ② to ① , after overcoming the solenoid force (requires 3.4 to 10.3 bar [50 to 150 psi]).

Operation of Manual Override Option

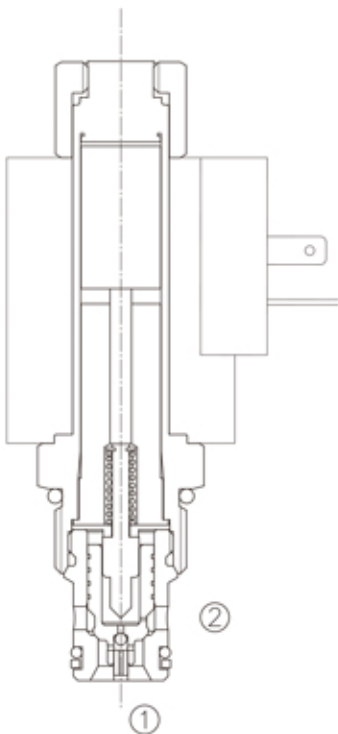
To override, push button in to activate. To return to normal valve function, release button.

SYMBOL

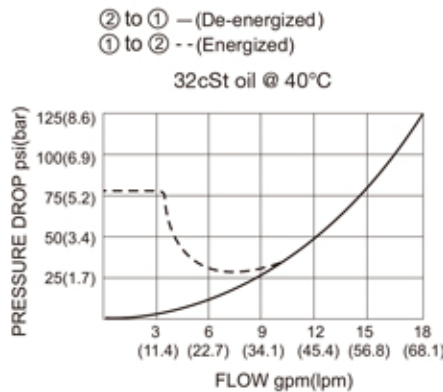


SPECIFICATIONS

(Max. Operating Pressure):	207bar
(Flow):	See PRESSURE DROP VS.FLOW graph.
(Internal Leakage):	3 drops/min. max. at 207bar
(Temperature):	-40°F to +212°F(-40°C to +100°C)
(Coil Duty Rating):	Continuous from 85% to 115% of nominal voltage
(Filtration):	See page N-1
(Fluids):	Mineral-based fluids with viscosities of 7.4 to 420 cSt.
(Cavity):	10-2,See page M-2
(Body Material):	
6061-T6 aluminum alloy rated to 207bar, Steel & Ductile iron rated to 350bar	
6061-T6	207bar 350bar



PRESSURE DROP VS.FLOW



LSV2 - 10 - 2 NOR P - * - * * - * *



- 1** LSV2= Solenoid Valve

- 2** Size
10=10

- 3** Flow Path
2=

- 4** NOR=
Normally Open, Reverse
Flow De-energized

- 5** P= Poppet

- 6** Blank=None
M= Manual Override

- 7** Voltage
1=12 VDC
2=24 VDC
3=110 VAC
4=220 VAC
5=10 VDC

- 8** Coil Connection
D= Double Lead
H= Hirschmann
C= Conduit
ER= Deutsch Connector(Water-proof Coil)

B= Double Spade

- 9** Body Porting
Blank= None
6T=SAE 6
3G=G 3/8
4G=G 1/2

K-4
Other Porting Is Available

INSTALLATION DIMENSIONS

Coil Must Be Installed With Letter Up

Unit=Millimeters

