

## DESCRIPTION

A solenoid operated, 2-way, 2-position, normally open, poppet-type cartridge valve with reverse flow de-energized.

## OPERATION

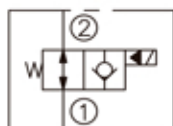
When de-energized, the poppet lifts to open flow from ② to ① . Flow is also open from ① to ② .

When energized ,the cartridge acts as a check valve, allowing flow from ① to ② while blocking flow from ② to ① , after overcoming the solenoid force (requires 3.4 to 10.3 bar [50 to 150 psi]).

## Operation of Manual Override Option

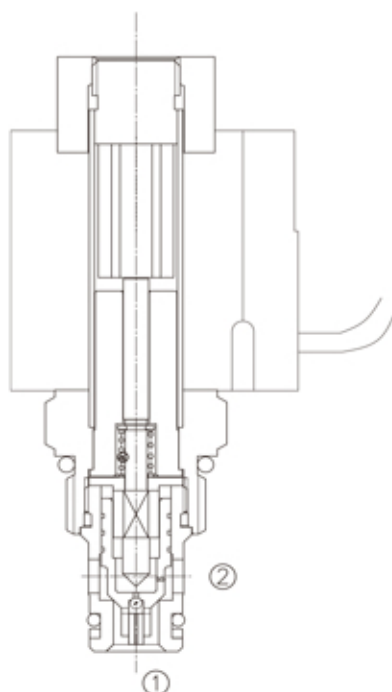
To override, push button in to activate. To return to normal valve function, release button.

## SYMBOL

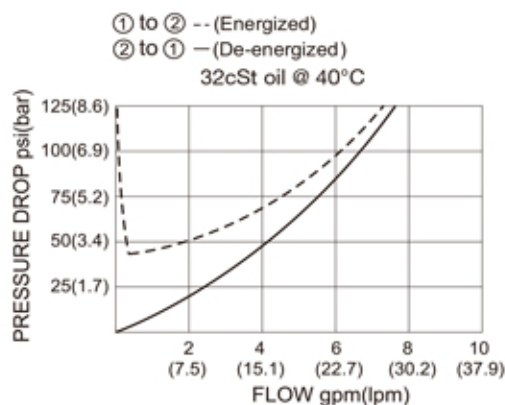


## SPECIFICATIONS

(Max. Operating Pressure):	207bar
(Flow):	See PRESSURE DROP VS.FLOW graph.
(Internal Leakage):	2 drops/min. max. at 207bar
(Temperature):	-40°F to +212°F(-40°C to +100°C)
(Coil Duty Rating):	Continuous from 85% to 115% of nominal voltage
(Filtration):	See page N-1
(Fluids):	Mineral-based fluids with viscosities of 7.4 to 420 cSt.
(Cavity):	08-2, See page M-1
(Body Material):	6061-T6 aluminum alloy rated to 207bar, Steel & Ductile iron rated at 350bar



## PRESSURE DROP VS.FLOW



**LSV2 - 08 - 2 NOR P - \* - \* \* - \* \***

┌──┐
┌──┐
┌──┐
┌──┐
┌──┐
┌──┐
┌──┐
┌──┐
┌──┐

1
2
3
4
5
6
7
8
9

**1** LSV2= Solenoid Valve

**2** Size  
08=08

**3** Flow Path  
2

**4** NOR=  
Normally Open, Reverse  
Flow De-energized

**5** P= Poppet

**6** Blank= None  
M= Manual Override

**7** Voltage

1=12 VDC  
2=24 VDC  
3=110 VAC  
4=220 VAC  
5=10 VDC  
7=48 VDC  
8=24 VAC

**8** Coil Connection

D= Double Lead  
S= Single Lead  
H= Hirschmann  
ER= Deutsch Connector(Water-proof Coil)  
E= Single Stud  
B= Double Spade

**9** Body Porting

Blank= None  
4T=SAE 4  
6T=SAE 6  
2G=G 1/4  
3G=G 3/8

Other Porting Is Available

**INSTALLATION DIMENSIONS**

Coil Must Be Installed With Letter Up

Unit=Millimeters

