

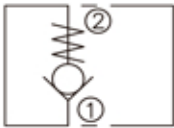
DESCRIPTION

A cartridge-style poppet-type check valve

OPERATION

Pressure at ① overcomes the spring-bias poppet and allows free flow from ① to ② . Flow in the opposite direction, from ② to ① ,is blocked by the poppet.

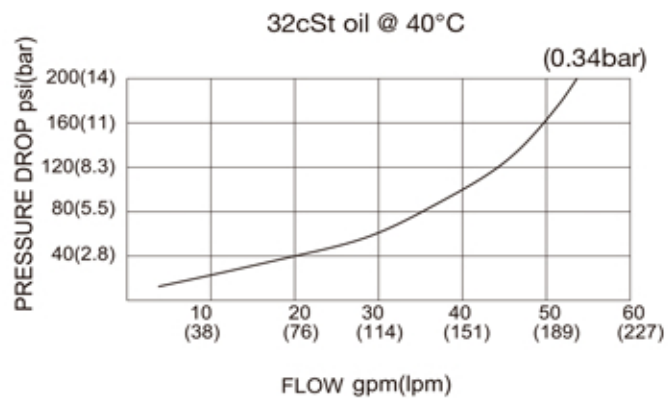
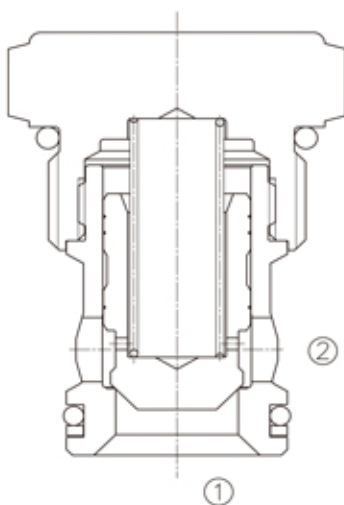
SYMBOL



SPECIFICATIONS

(Operating Pressure):	350bar
(Flow):	See PRESSURE DROP VS.FLOW graph.
(Internal Leakage):	5 drops/min max. at 350bar
(Crack Pressures):	0.34=0.34bar 1.7=1.7bar 4.5=4.5bar 6.9=6.9bar
(Temperature):	-40°F to +250°F(-40°C to +120°C)
(Filtration):	See page N-1
(Fluids):	Mineral-based fluids with viscosities of 7.4 to 420 cSt.
(Cavity):	16-2,See page M-3
(Body Material):	Steel & Ductile iron rated to 350bar

PRESSURE DROP VS.FLOW



LCV - 16 - P - * * - * *



1 LCV= Check Valve

2 **Size**
16=16

3 P= Poppet

4 **Cracking Pressure**
0.34=0.34bar
1.7=1.7bar
4.5=4.5bar
6.9=6.9bar

5 **Body Porting**

Blank= None
16T=SAE16
6G=G 3/4
8G=G 1

D

Other Porting is Available

INSTALLATION DIMENSIONS

Unit=Millimeters

