

## DESCRIPTION

A solenoid operated, 2-way, 2-position, normally open, poppet-type bi-directional cartridge valve.

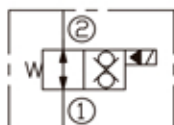
## OPERATION

When de-energized, the poppet allows flow in both directions. When energized, the valve blocks flow in both directions.

### Operation of Manual Override Option

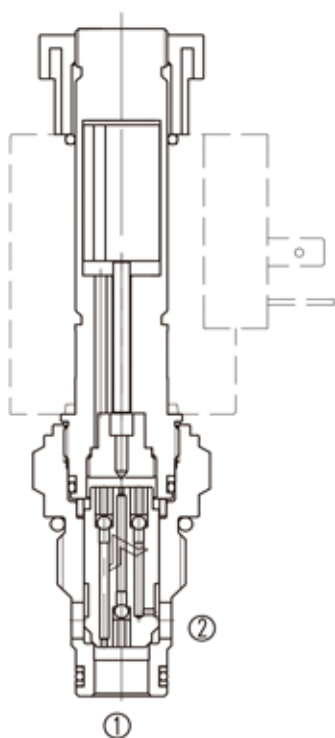
To override, push button in to activate. To return to normal valve function, release button.

## SYMBOL

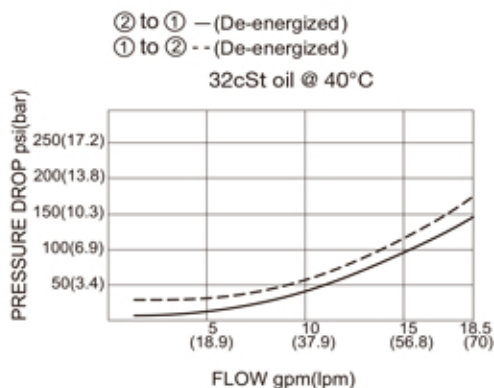


## SPECIFICATIONS

(Max. Operating Pressure):	350bar
(Flow):	See PRESSURE DROP VS.FLOW graph.
(Internal Leakage):	5drops/min. max. at 350 bar
(Temperature):	-40°F to +212°F(-40°C to +100°C)
(Coil Duty Rating):	Continuous from 85% to 115% of nominal voltage
(Filtration):	See page N-1
(Fluids):	Mineral-based fluids with viscosities of 7.4 to 420 cSt.
(Cavity):	10-2, See page M-2
(Body Material):	Steel & Ductile iron rated to 350bar



## PRESSURE DROP VS.FLOW





- 1** LSV6= Solenoid Valve

---

- 2** Size  
10=10

---

- 3** Flow Path  
2

---

- 4** NO= Normally Open

---

- 5** SP= Poppet

---

- 6** Blank= None  
M= Manual Override

- 7** Voltage  
1=12 VDC  
2=24 VDC  
3=110 VAC  
4=220 VAC  
7=48 VDC  
8=24 VAC  
9=72 VDC

---

- 8** Coil Connection  
D= Double Lead  
H= Hirschmann  
S= Single Lead  
ER= Deutsch Connector(Water-proof Coil)  
B= Double Spade

- 9** Body Porting  
Blank= None  
8T=SAE 8  
4G=G 1/2

---

- Other Porting Is Available

**INSTALLATION DIMENSIONS**

Coil Must Be Installed With Letter Up

Unit=Millimeters

