

DESCRIPTION

A solenoid operated, 2-way, 2-position, normally closed, poppet-type bi-directional cartridge valve.

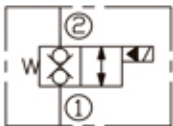
OPERATION

When de-energized, the valve blocks flow in both directions. When energized, the poppet shifts to allow flow in either direction.

Operation of Manual Override Option

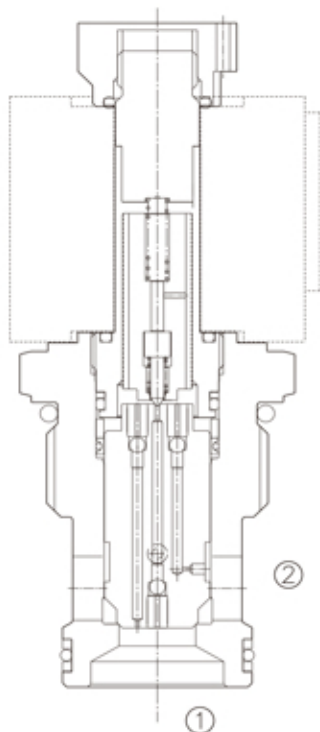
To override, push button in, twist counterclockwise 180° and release. In this position, the valve will remain open in a detented condition. To return to normal operation, push button in, twist clockwise 180° and release. Override will be detented in this position.

SYMBOL

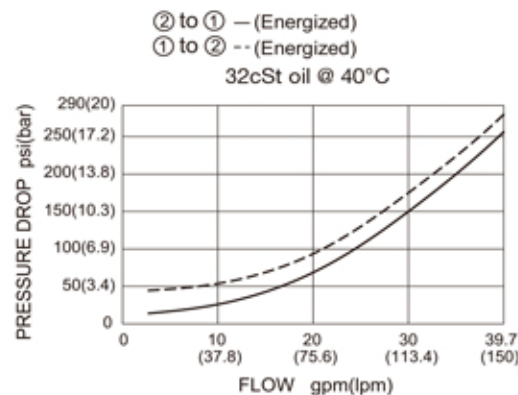


SPECIFICATIONS

(Max. Operating Pressure):	350bar
(Flow):	See PRESSURE DROP VS.FLOW graph.
(Internal Leakage):	5drops/min. max. at 350 bar
(Temperature):	-40°F to +212°F(-40°C to +100°C)
(Coil Duty Rating):	Continuous from 85% to 115% of nominal voltage
(Filtration):	See page N-1
(Fluids):	Mineral-based fluids with viscosities of 7.4 to 420 cSt.
(Cavity):	16-2, See page M-3
(Body Material):	Steel & Ductile iron rated to 350bar



PRESSURE DROP VS.FLOW



LSV6 – 16 – 2 NC SP – * – * * – * *

1 2 3 4 5 6 7 8 9

1 LSV6= Solenoid Valve

2 Size
16=16

3 Flow Path
2=

4 NC= Normally Closed

5 SP= Poppet

6 Blank= None
M= Manual Override

7 Voltage
1=12 VDC
2=24 VDC
3=110 VAC
4=220 VAC

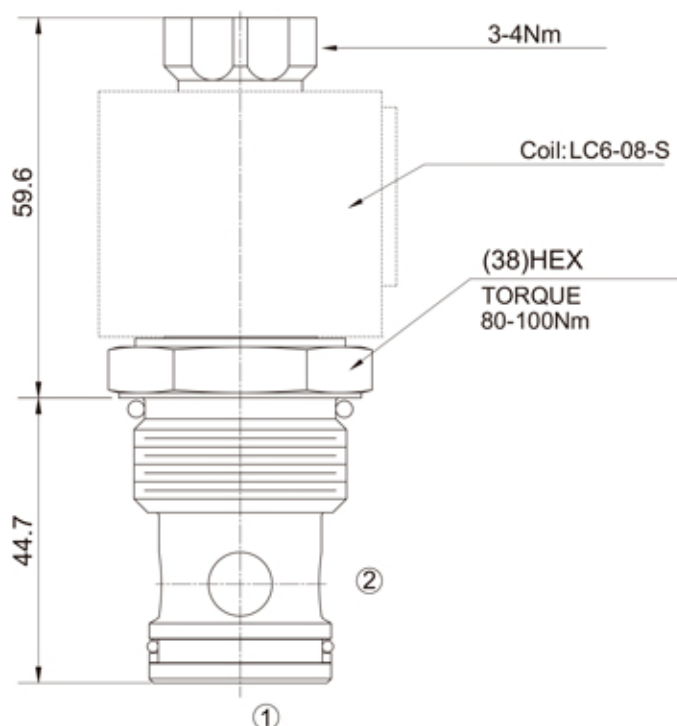
8 Coil Connection
D= Double Lead
H= Hirschmann
ER= Deutsch Connector(Water-proof Coil)

9 Body Porting
Blank= None
16T=SAE 16
8G=G 1
Other Porting Is Available

INSTALLATION DIMENSIONS

Coil Must Be Installed With Letter Up

Unit=Millimeters



A