

## DESCRIPTION

A solenoid operated, 2-way, 2-position, normally closed, poppet-type cartridge valve.

## OPERATION

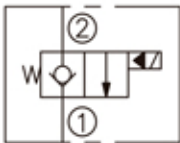
When de-energized, the valve acts as a check valve, allowing flow from ① to ②, while blocking flow from ② to ①.

When energized, the poppet lifts to open the ② to ① flow path.

### Operation of Manual Override Option

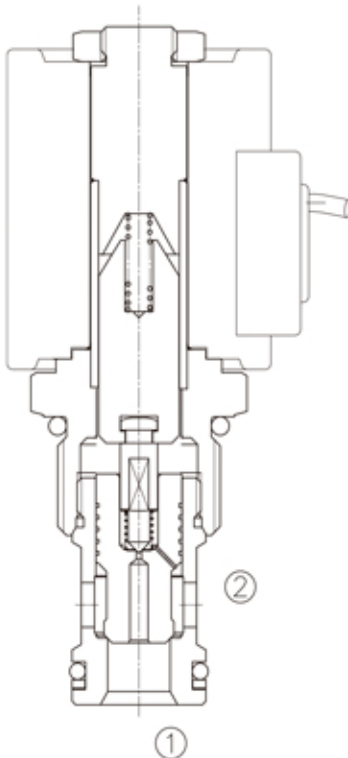
To override, push button in, twist counterclockwise 180° and release. In this position, the valve will remain open in a detented condition. To return to normal operation, push button in, twist clockwise 180° and release. Override will be detented in this position.

## SYMBOL

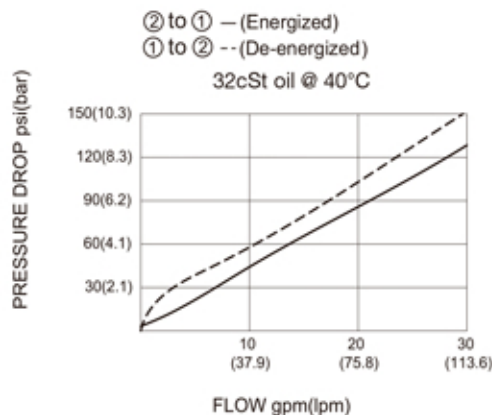


## SPECIFICATIONS

(Max. Operating Pressure):	207bar
(Flow):	See PRESSURE DROP VS.FLOW graph.
(Internal Leakage):	3 drops/min. max. at 207bar
(Temperature):	-40°F to +212°F(-40°C to +100°C)
(Coil Duty Rating):	Continuous from 85% to 115% of nominal voltage
(Filtration):	See page N-1
(Fluids):	Mineral-based fluids with viscosities of 7.4 to 420 cSt.
(Cavity):	12-2, See page M-3
(Body Material):	6061-T6 aluminum alloy rated to 207bar, Steel & Ductile iron rated to 350bar



## PRESSURE DROP VS.FLOW



**LSV2 - 12 - 2 NC P - \* - \* \* - \* \***

1  
 2  
 3  
 4  
 5  
 6  
 7  
 8  
 9

**1** LSV2= Solenoid Valve

**2** Size  
12=12

**3** Flow Path  
2=

**4** NC= Normally Closed

**5** P= Poppet

**6** Blank= None  
M= Manual Override

**7** Voltage  
1=12 VDC  
2=24 VDC  
3=110 VAC  
4=220 VAC  
5=10 VDC

**8** Coil Connection  
D= Double Lead  
S= Single Lead  
H= Hirschmann  
C= Conduit  
ER= Deutsch Connector(Water-proof Coil)  
B= Double Spade

**9** Body Porting  
Blank=None  
10T=SAE 10  
12T=SAE 12  
6G=G 3/4  
8G=G 1

Other Porting Is Available

## INSTALLATION DIMENSIONS

Coil Must Be Installed With Letter Up

Unit=Millimeters

