

DESCRIPTION

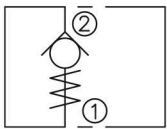
A cartridge-style poppet-type check valve

OPERATION

When pressure at ② rises above the spring bias pressure, the poppet is pushed from its seat and flow allowed from ② to ① .

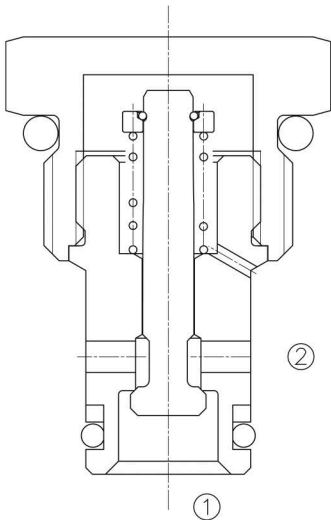
The valve is closed (checked) from ① to ②.

SYMBOL

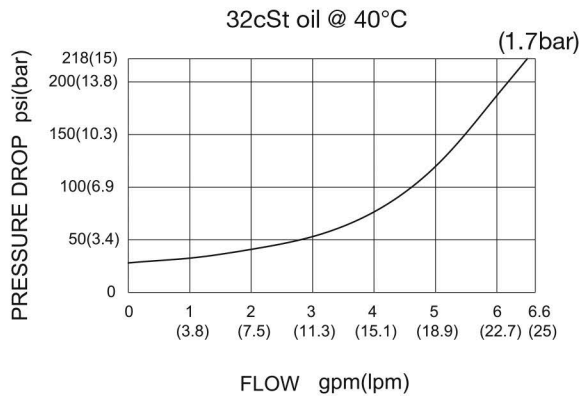


SPECIFICATIONS

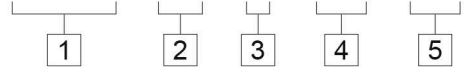
(Operating Pressure):	350bar
(Flow):	See PRESSURE DROP VS.FLOW graph.
(Internal Leakage):	2 drops/min . max. at 350bar
(Crack Pressures):	0.7=0.7bar 1.4=1.4bar 4.1=4.1bar 5.5=5.5bar 7.6=7.6bar
(Temperature):	-40°F to +250°F(-40°C to +120°C)
(Filtration):	See page N-1
(Fluids):	Mineral-based fluids with viscosities of 7.4 to 420 cSt.
(Cavity):	08-2, See page M-1
(Body Material):	Steel & Ductile iron rated to 350bar



PRESSURE DROP VS.FLOW



LCVR – 08 – P – * * – * *



1 LCVR=Check Valve

2 **Size**
08=08

3 P=Poppet

4 **Cracking Pressure**
0.7=0.7bar
1.4=1.4bar
4.1=4.1bar
5.5=5.5bar
7.6=7.6bar

5 **Body Porting**

Blank= None
4T=SAE4
6T=SAE6
2G=G 1/4
3G=G 3/8

Other Porting is Available

INSTALLATION DIMENSIONS

Unit=Millimeters

