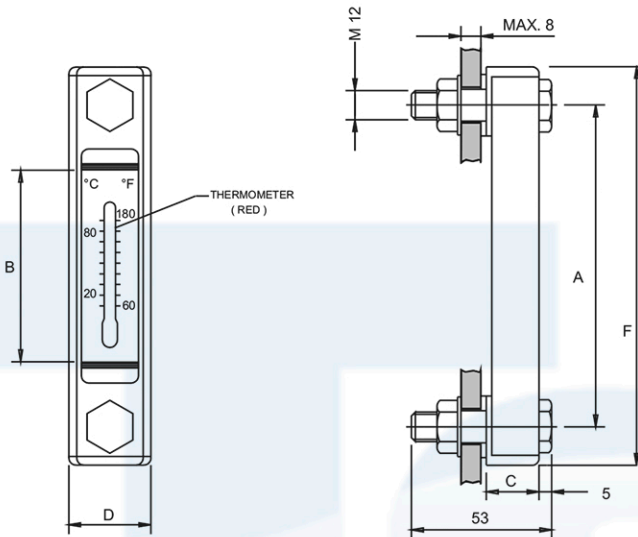
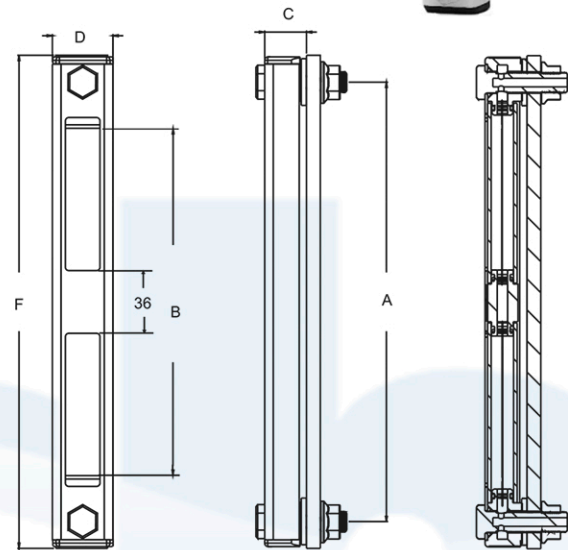


- 'O' RING TYPE CONSTRUCTION
- 3 SIZES 3", 5" & 10" BETWEEN BOLT CENTRES
- FOR NON PRESSURISED TANKS ONLY
- CAN BE MOUNTED ON TAPPED HOLES
- SUITABLE FOR MINERAL / PETROLEUM BASED OILS
- MAXIMUM TEMPERATURE 80° C



LG 2 - 03 & 05



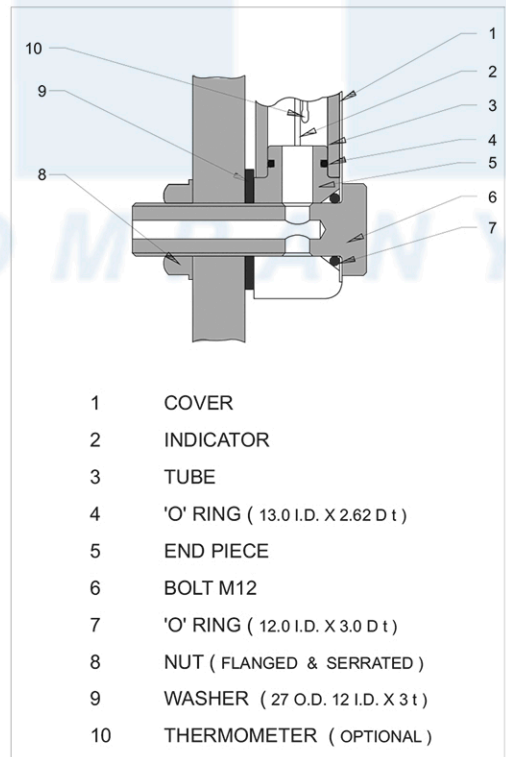
LG 2 - 10

| MODEL | A | B | C | D | F | WT KGS |
|----------|-----|-----|----|----|-----|-----------|
| LG2 - 03 | 76 | 31 | 20 | 34 | 108 | 0.23 |
| LG2 - 05 | 127 | 76 | 20 | 34 | 159 | 0.28 |
| LG2 - 10 | 254 | 200 | 20 | 34 | 286 | 0.41 |

MODEL CODE : ASSEMBLY

| LG 2 | - 05 | T | - M 10 | - X |
|--------|----------|---------------------------------------|------------------------------------|--|
| SERIES | SIZE | FEATURE | FEATURE | FEATURE |
| | INCH | OPTIONAL # | SPECIAL # | OPTIONAL# |
| LG 2 | 03 - 3" | T - THERMOMETER (OMIT IF NOT REQD) | M12 - STD (M12 X 1.75 BOLT) | No Nuts (For Fitting On Tapped Holes) |
| | 05 - 5" | | M10 - SPECIAL (M10 X 1.50 BOLT) | |
| | 10 - 10" | | UNC - SPECIAL (1/2" - 13 UNC) | |

NOTE : BOLT TORQUE TO BE LIMITED TO 3 FT LBS
OPTIONAL / SPECIAL FEATURE - OMIT IF NOT REQUIRED



DIMENSIONS IN MM FOR REFERENCE ONLY