



Performance Parameters

Model	Adjustment Range		Avg. Differential		Model	Adjustment Range		Avg. Differential	
	PSI	Bar	PSI	Bar		PSI	Bar	PSI	Bar
1	5-85	0.35-6	1.0-10	0.07-0.7	3	500-2500	35-170	70-300	5-20
1A	65-300	4-20	8-30	0.55-2.1	4	1000-6000	69-414	150-600	10-41
2	125-600	8-40	20-80	1.3-5.5	5	500-3500	35-240	75-300	5-24

ELECTRICAL:

Standard: 5A, 125V/250VAC - U.L. Recognized
 5A, 12/24VDC - U.L. Recognized
 Option -7: 0.2A, 60VDC - U.L. Recognized
 Gold contacts may be required for less than 12 VDC and 20 milliamps

MANUFACTURER'S OTHER

RATING:

5A@40VDC

PROTECTION:

Exposed Terminals - IP00
 DIN HC-IP65
 Flying Leads, M12, Deutsch Integral - IP69

TEMPERATURE RANGE:

BUNA-N: -26°C~110°C
 EPDM: -23°C~121°C
 KAPTON®: -40°C~110°C
 VITON®: -18°C~150°C
 (® Registered Trademark of DuPont)
 Low Temp Nitrile: -40°C~110°C

WETTED MATERIAL:

Diaphragm: Buna-N (Standard)
 (optional EPDM, KAPTON®, VITON®, Low Temp Nitrile)
 Housing: Zinc-Nickel Plated Steel
 (optional Steel - Electroless Nickel and 316 Stainless Steel)

REPEATABILITY:

±2% of full set point range at 21°C Ambient Temperature

SWITCH TYPE:

Snap Action

MECHANICAL LIFE:

1,000,000 cycles

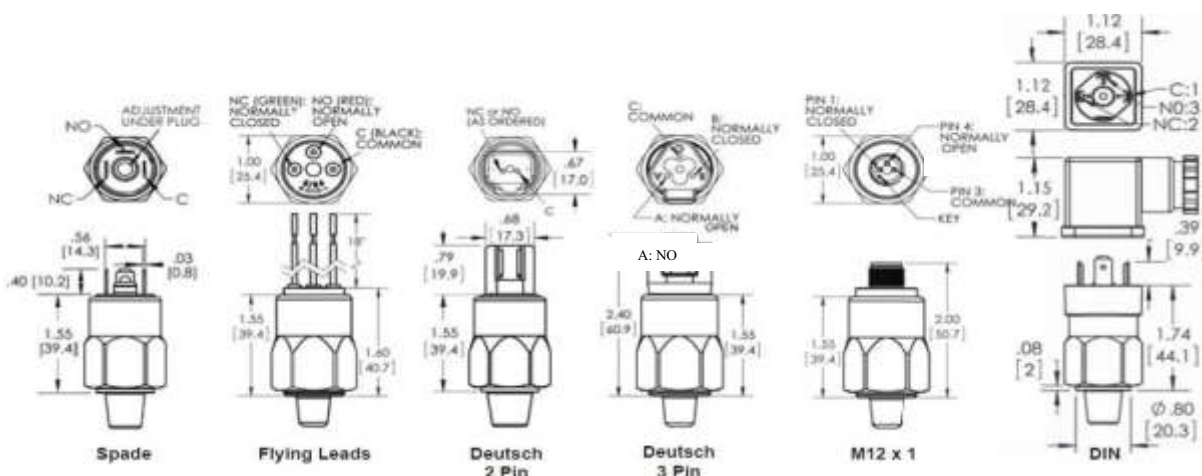
MAXIMUM OVERPRESSURE:

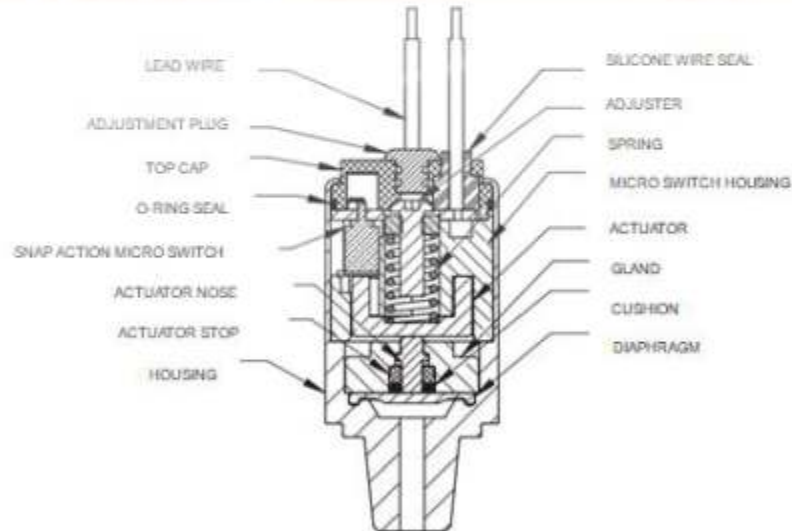
9000 PSI (620 Bar) - Static
 7500 PSI (517 Bar) - Dynamic

WEIGHT:

Approx. 0.09 g

Drawing





Model BPA Shown

Ordering Information

BPA	-*2	-*R	-4M	-C	-H	-*1
Model	Set Point	Direction	Port Size	Circuit	Terminal	Options
BPA- Field Adjustable	See Above Adjustment Ranges	R-PSI Rising F-PSI Falling	2M-1/8 NPT 4M-1/4 NPT 2G-1/8 BSPP 4G-1/4 BSPP (undercut for an o-ring seal)	A-SPST/NO B-SPST/NC C-SPDT	SP-1/4"x1/32" Spade TS-6-32 Terminal Screws FL-18" Flying Leads FLL-Advise additional length of leads if required FLWTF-Weatherpack Tower Female FLWTM-Weatherpack Tower Male FLWSF-Weatherpack Shroud Female FLWSM-Weatherpack Shroud Male H-DIN43650A Male Half Only HC-DIN43650A Cable Clamp HN-DIN43650A1/2 Conduit (female) HCC-XXX (Specify Length in Inches) HC11A-DIN Light NO/NC110V HC11B-DIN Light NO/NC12VDC HC11C-DIN Light NO/NC24VDC HC11D-Indicating Light Green/Red DI-Deutsch Integral M12-M12x1	*-Omit If Standard 1-VITON® Diaphragm 2-EPDM Diaphragm 3-KAPTON® Diaphragm * For Model Ranges 1,1A & 2 Only 15 - Low Temp Nitrile Dia. 4-316 SS Housing 4A-Steel-Electroless Nickel Plated 5-Spiral Restrictor 6-Oxygen Cleaned 7-Gold Contacts UL-UL Recognized** **For Selected Models Only – Consult Factory
BPF- Factory Set	*Model BPF Specify Set Point Required	BR-Bar Rising BF-Bar Falling *Omit For Model BPA	4GS-1/4 BSPP (no undercut) 4S-7/16x20 SAE MALE 4SW-7/16x20 SAE Swivel 6S-9/16x18 SAE MALE M10-M10x1* M12-M12x1.5* *Consult Factory for Specials			

Appendix 1: Definitions and Terms

DEFINITIONS AND TERMINOLOGY

ACCURACY, (REPEATABILITY) - Accuracy is the maximum allowable set point deviation of a single pressure or temperature switch under one given set of environmental and operational conditions.

ACTUATION AND DEACTUATION POINT - The actuation point (sometimes called set point) is the exact point at which the electrical circuit controlled by the switching element is opened (or closed) on increasing pressure or temperature. The deactuation point is the opposite at which the electrical circuit is closed (or opened) on decreasing pressure or temperature.

DEAD BAND - The dead band sometimes referred to as “differential” or “hysteresis” is the change in pressure between actuation and deactuation set points.

PRESSURE SWITCH - An instrument that upon the increase or decrease of a pressure or vacuum, opens or closes one or more electrical switching elements at a predetermined actuation point (setting).

PRESSURE SENSING ELEMENT - That portion of pressure switch that is in contact with and moves as a result of a change in pressure of the medium. The most common type of pressure sensing elements are diaphragms, accordion bellows, bourdon tubes, and pistons.

SINGLE POLE DOUBLE THROW (SPDT) SWITCHING ELEMENT - A SPDT switching element has one normally open, one normally closed and one common terminal. Three terminals mean that the switch can be wired with the circuit either normally open (N/O) or normally closed (N/C).

NORMALLY CLOSED SWITCHING ELEMENT (NC) - Is one in which the terminals are wired so that current can flow through the switching element until pressure is applied to open the electrical circuit.

NORMALLY OPEN SWITCHING ELEMENT (NO) - Is one in which the terminals are wired so that no current can flow through the switching element until the pressure is applied to close the electrical circuit.

PRESSURE, PROOF - Proof Pressure is the maximum pressure which can be applied to any switch without causing permanent degradation.

Circuit Definitions

Form A - SPST - NO

Single Pole - Single Throw Normally Open

Form B - SPST - NC

Single Pole - Single Throw Normally Closed

Form C – SPDT

Single Pole - Double Throw

Standard Electrical Circuit

Wire	DIN 43650	C
Color	Number	Circuit
Black	1	Common
Green	2	N. Closed
Red	3	N. Open

Wotian Pressure Switches are sealed, vibration resistant and ruggedly built to provide a reliable protection for automatic control of equipment and processes. They are designed for direct or remote mounting and offer a quality product at a competitive price.

Microswitch - Each Wotian BPA pressure switch contains a precision, snap-action microswitch which meets or exceeds industrial standards for reliability; electrical capacity and long life.

The snap action micro switch meets underwriters and CSA specifications for 5 amp or 3 amp rating dependent upon specification type - consult factory for additional data.

Setting - The set point of each switch is preset at the factory as follows:

- Field adjustable series - bottom of range
- Factory set series - at the desired set point

The switches can be ordered for operation with either rising or falling temperature, vacuum or pressure. Reset of the microswitch is automatic and depends upon the dead band or differential of the particular model.

Switch Protection - Standard switches offer excellent protection and long life in most applications. They are also sealed for weatherproof protection. The corrosion-resistant materials in the wetted areas and the standard nitrile diaphragm are suitable for most media. Where required the switches are available with VITON®, KAPTON®, EPDM or Low Temperature Nitrile diaphragms and, in some cases, optional steel, brass or stainless steel housings and wetted areas.

Mechanism - Where the pressure switch is subject to higher pressure, either dynamic or static, of over 700 psi, the diaphragm operating mechanism includes an O-ring cushion which absorbs the slight operation motion required while preventing extrusion of the diaphragm material into the piston-to-cylinder clearance.

Gold Contacts - May be required for applications where less than 12VDC and 20 Milliamps.

Appendix 2: Electrical Configuration

			
FL Flying Leads	SP "A" or "B" Circuit 1/4" Spades	SP "C" Circuit 1/4" Spades	TS 6-32 Terminal Screws
			
H DIN 43650A Male Half Only	HC DIN 43650A Cable Clamp	HN DIN 43650A 1/2" Conduit	HC11A, B, C & D DIN 43650A Lighted DIN
			
HCC DIN w/36" Cable	HCM DIN 43650C	HCM.A, B, C & D DIN 43650C Lighted DIN	MDP2 Deutsch DT06-2S 2 Pin Mating Plug
			
WTF/WTM Weather Pack Tower 2 Pin Male or Female Pins	WSF/WSM Weather Pack Shroud 2 Pin Male or Female Pins	WTF3/WTM3 Weather Pack Tower 3 Pin Male or Female Pins	WSF/WSM3 Weather Pack Shroud 3 Pin Male or Female Pins

Appendix 3: Material Compatibility							
Media	Buna	EPDM	Viton	Media	Buna	EPDM	Viton
Acetic Acid		*		Hydraulic Oil(PET Base)	*		
Acetone		*		Hydrocarbons	*		
Acetylene	*			Hydrogen	*		
Air	*			Hydrogen Sulphide		*	
Alcohols	*			Isopropanol		*	
Alkalies (Weak)	*			JP-3-6	*		
Alkalies (Strong)		*		Kerosene	*		
Ammonia(Anhydrous)	*			LPG	*		
Ammonia(Hydroxide)		*		Lube Oil(PET Base)	*		
Asphalt			*	Methanol	*		
Automotive Oils	*			MEK		*	
Beer	*			Mineral Oil	*		
Benzene			*	Motor Oils	*		
Boric Acid	*			Naptha		*	
Brake Fluid		*		Natural Gas	*		
Bunker Oil	*			Nitric Acid		*	
Butane	*			Nitrogen	*		
Butyl Cellosolve		*		Cleum Spirits			*
Carbon Dioxide	*			Oxygen	*		
Carbon Monoxide	*			Ozone		*	
Cellube		*		Crude Oil	*		
Chiorobenzene			*	Phosphoric Acid			*
Citric Acid	*			Propane	*		
Coke Oven Gas			*	Propanol	*		
Coolant	*			Pydraul		*	
Diesel Fuels	*			Shell Iris 902	*		
Di-Ester Lube (MIL-L-7808)			*	Silicone Greases	*		
Dowtherm A&E		*		Silicone Oils	*		
Ethanol	*			Skydrol 500 & 7000		*	
Ether		*		Soap Solutions	*		
Ethylene	*			Steam Below 320F		*	
Ethylene Glycol	*			Stoddard Solvent	*		
Freon				Sulfuric Acid			*
11,12,112,114	*			Tolulene			*
Freon 22		*		Transmission Fluid	*		
Fyrquel		*		Trisodium Phosphate	*		
Fuel Oil	*			Turpentine	*	*	
Gasoling	*			Water to 220F (104°C)	*		
Glycerin	*			Water to 302F (150°C)		*	
Helium	*						
Hexane	*						