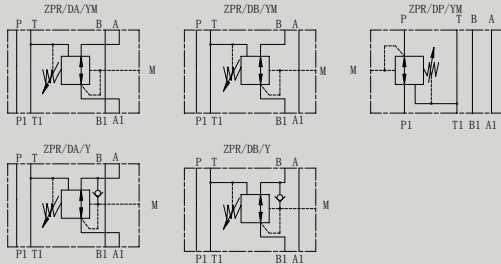


ZPR-D SERIES DIRECT MODULAR REDUCING VALVES

SYMBOL

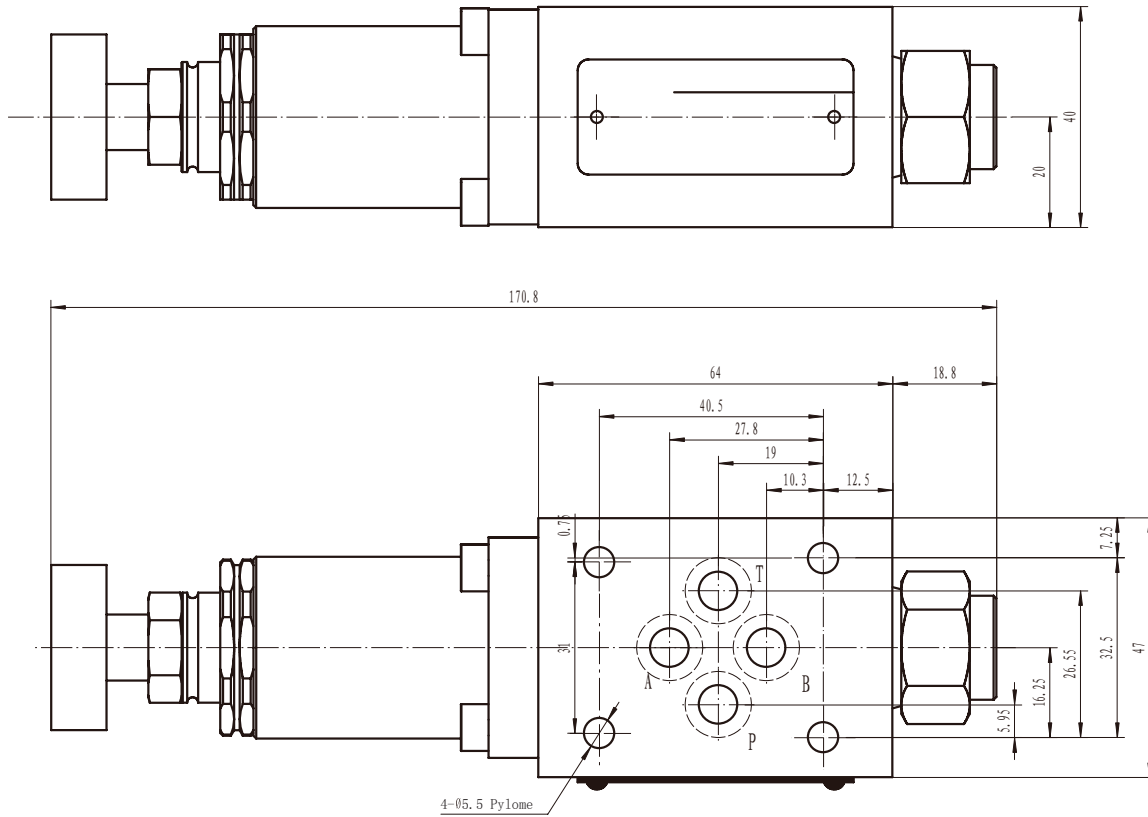


ZPR-D series are 3-way direct operated pressure reducing valves, which are used to reduce the pressure in a certain circuit lower than of the main circuit.

Technical data

Size	6	10
Operating pressure(Mpa)	31.5	31.5
Second working pressure(Mpa)	21	21
Back pressure(MPa)	6	6
Flow rate(L/min)	30	60
Fluid temperature(°C)	-20 ~ 80	-20 ~ 80
Weight(KGS)	1.3	2.8
Valve body (Material) Surface treatment	casting phosphating surface	
Oil cleanliness	NAS1638 class 9 and ISO4406 class 20/18/15	

▶ ZPR6D External Dimensions and Fittings



Z	PR	6	D	A	2	30	25	Y	M	*
---	----	---	---	---	---	----	----	---	---	---

Modular

Model

Size 6;10

Direct type

Pilot oil port

A=A oil port B=B oil port P=P oil port

1=Adjustable handwheel

2=Adjustable screw

For further details

No code=With check valve
M=Without check valve

Y=Internal pilot;external drain

Pressure range

25 = 2.5Mpa

75 = 7.5Mpa

150 = 15Mpa

210 = 21Mpa

Series number